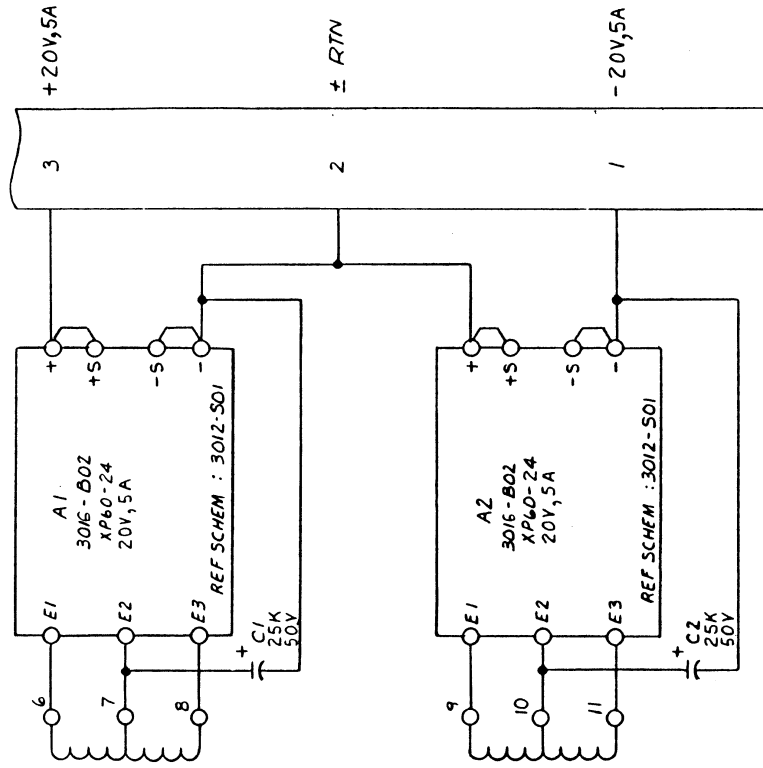


REV	DATE	BY	SCALE	DATE	APPROVED BY	ISSUED BY
			N/A	7/22/89		VFL
			TITLE	MOD4 BLOCK DIAGRAM		
			COMMENTS	DRAWING # MOD4B569		

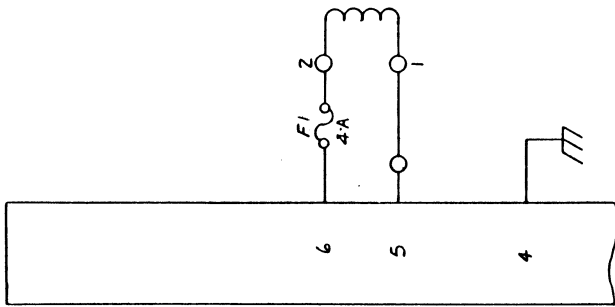
REV. BY	REV. CNS
AC 6M	BM
DESCRIPTION	DATE
INITIAL RELEASE	8/68

PART OF
TBI



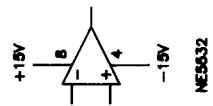
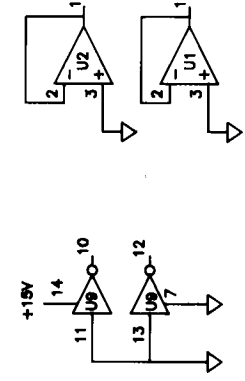
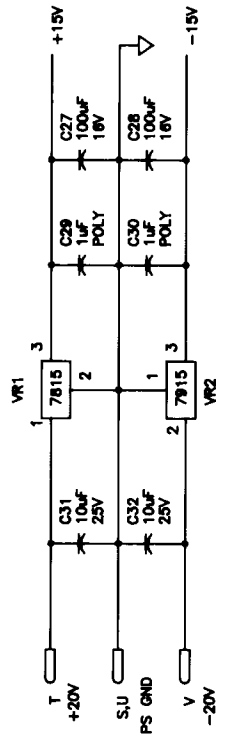
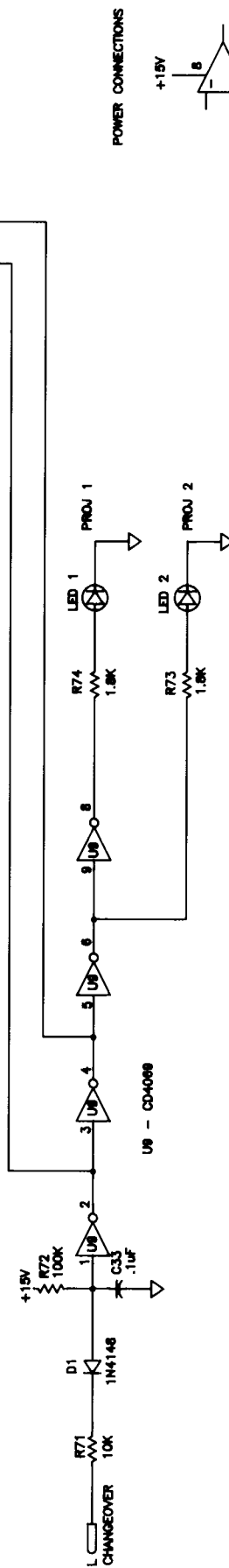
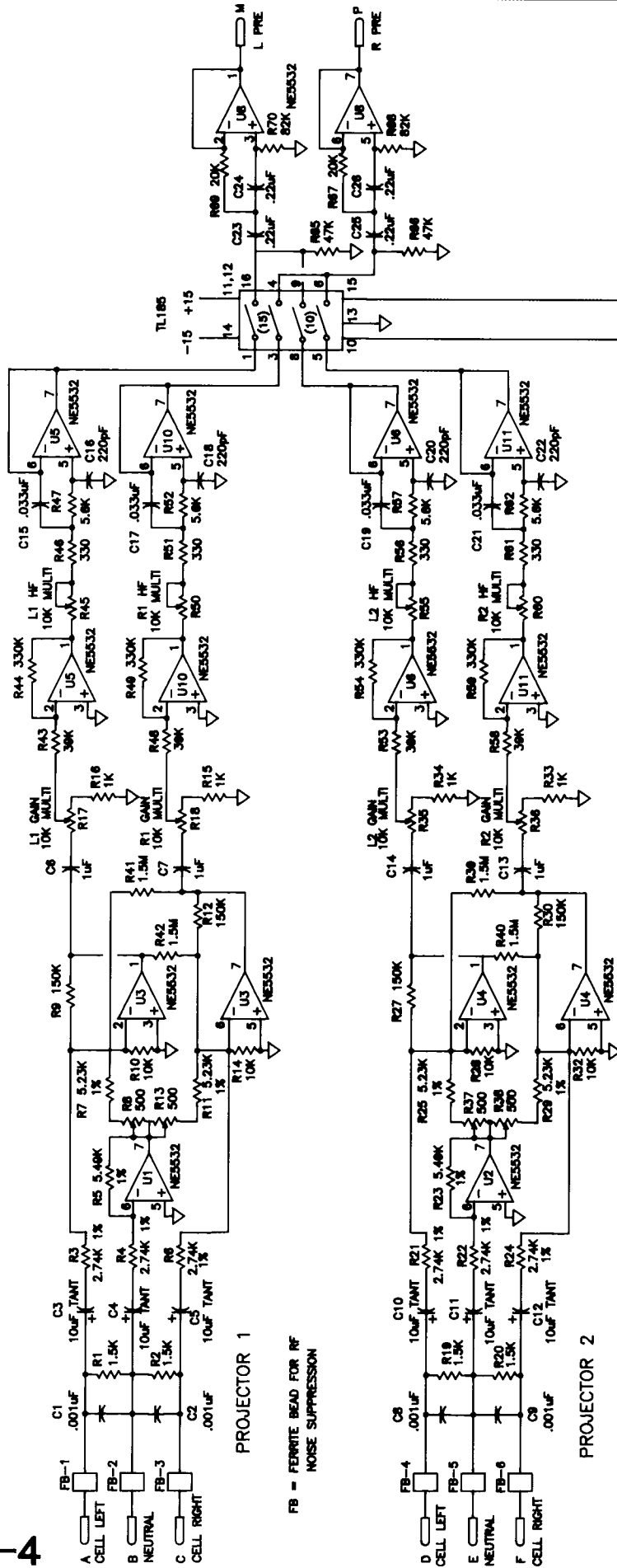
T1
4225-A02

TBI



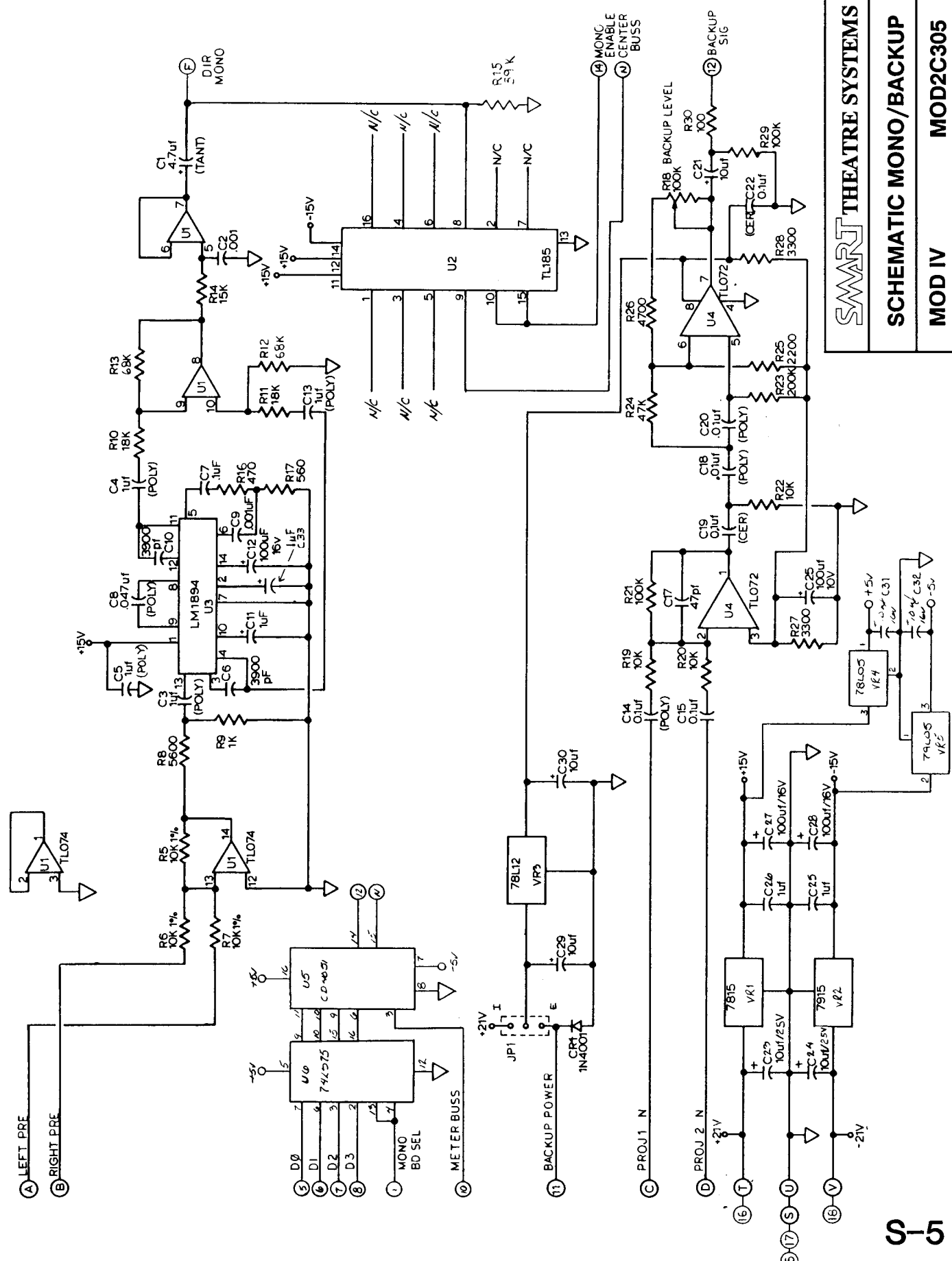
SMART THEATRE SYSTEMS
POWER SUPPLY SCHEMATIC
MOD IV MODEL XP-60

NOTES: UNLESS OTHERWISE SPECIFIED



SMART THEATRE SYSTEMS			
SCALE	N/A	DATE	7/22/89
APPROVED		DRAWN BY:	VPL
TITLE	MOD44300 DUAL PREAMP SCHEMATIC		
COMMENTS	DRAWING# MOD44300		

NOTE: □ DENOTES EDGE CONNECTOR GOLD PLATED FINGER

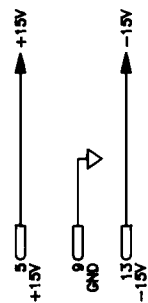
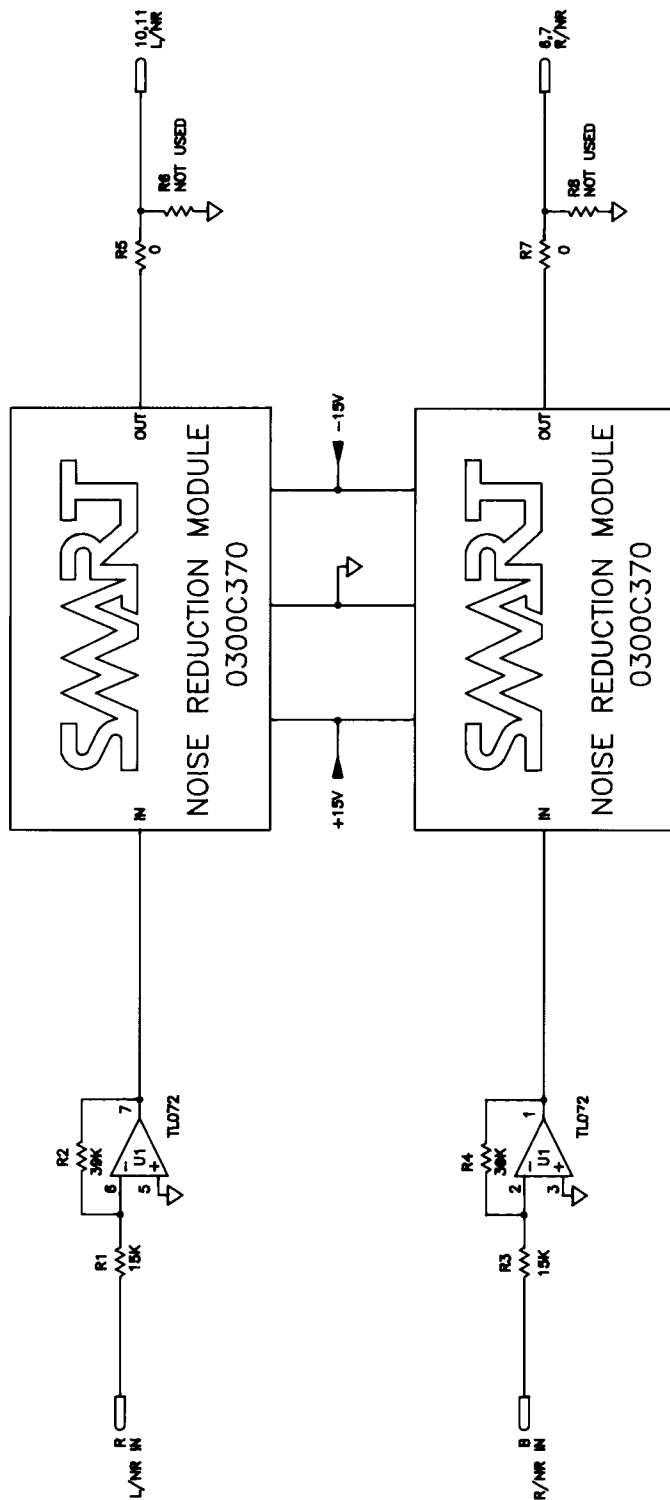


SMART THEATRE SYSTEMS

SCHEMATIC MONO/BACKUP

MOD IV

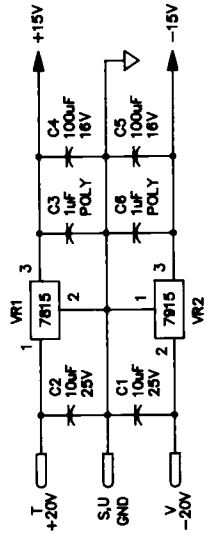
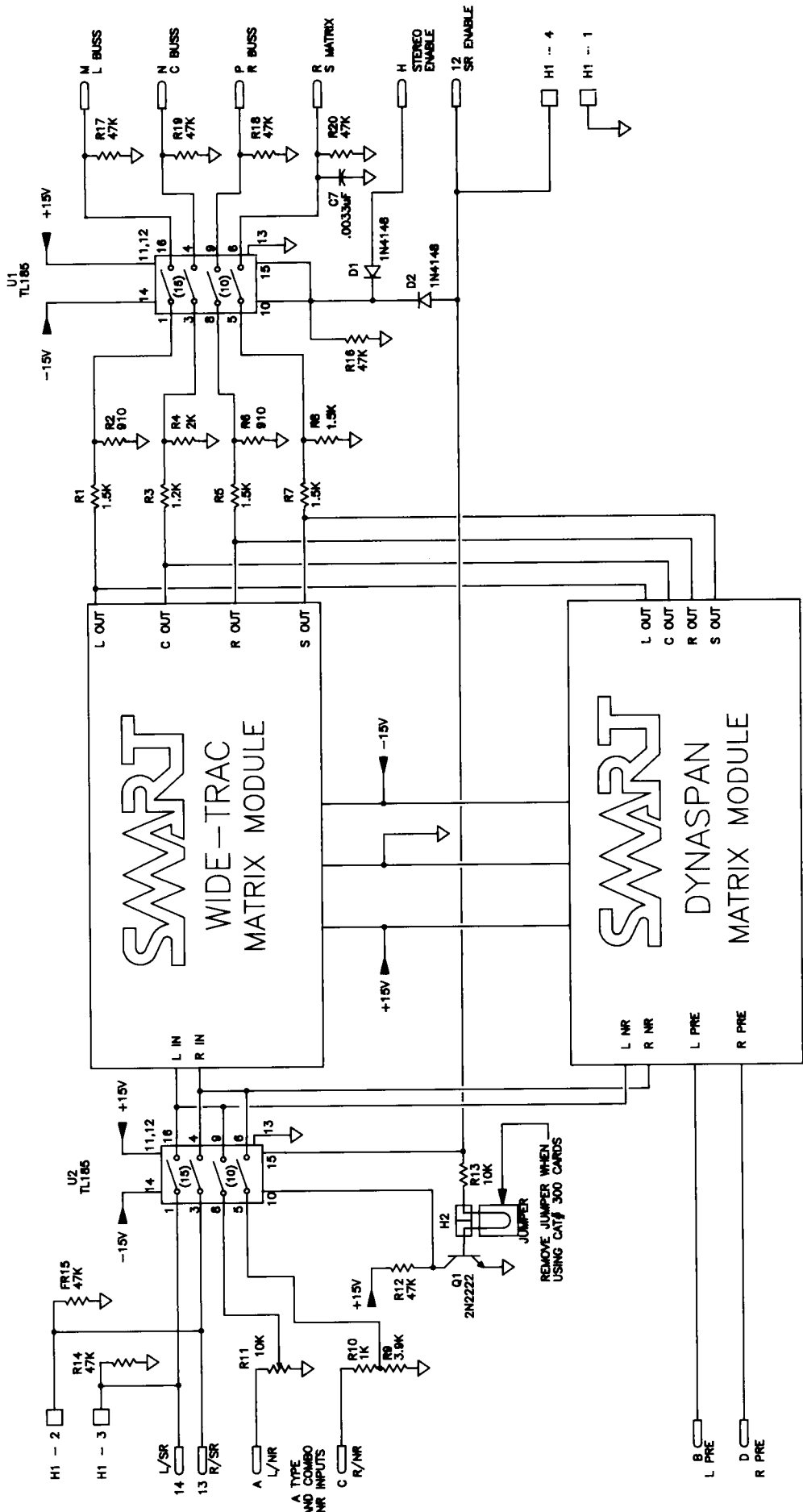
MOD2C305



NOTE:

1) □ DENOTES GOLD PLATED EDGE CONNECTOR FINGER

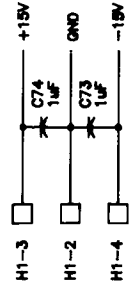
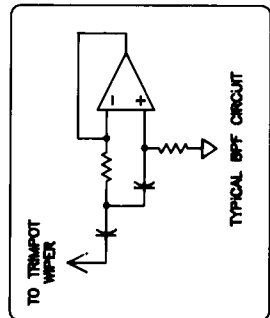
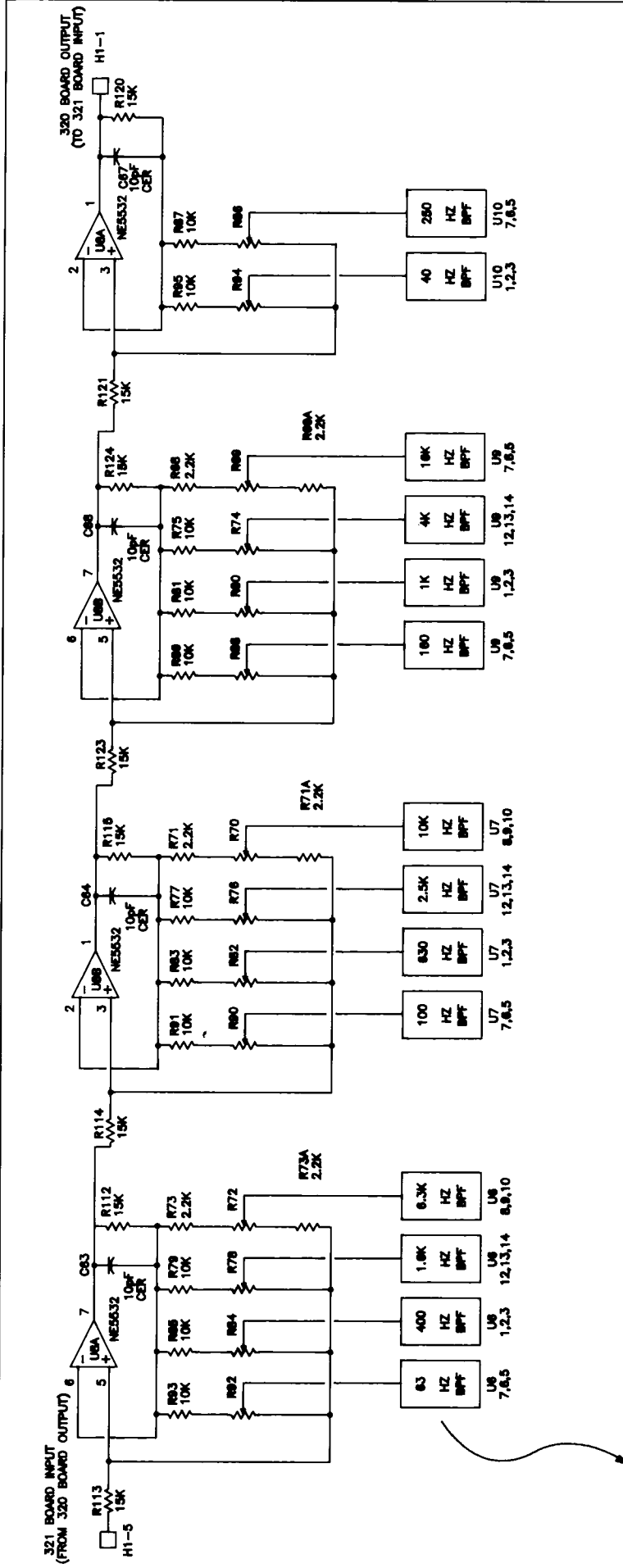
SMART THEATRE SYSTEMS			
SCALE	DATE	APPROVED	DRAWN BY:
N/A	8/3/89		VPL
TITLE MOD-4310 NOISE REDUCTION CARRIER CARD SCHEMATIC			
COMMENTS			DRAWING NUMBER MOD-44510



NOTES:

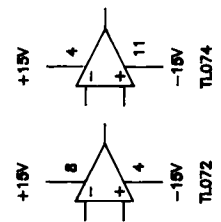
- 1) DENOTES GOLD PLATED EDGE CONNECTOR FINGER
- 2) H1 AND DYNASPAN MODULE USED ONLY ON MOD II

SMART THEATRE SYSTEMS			
SCALE	N/A	DATE	08/31/90
APPROVED		DRAWN BY:	VPL
TITLE MOD25317 MATRIX CARRIER CARD SCHEMATIC			
COMMENTS			DRAWING# MOD-HBS17

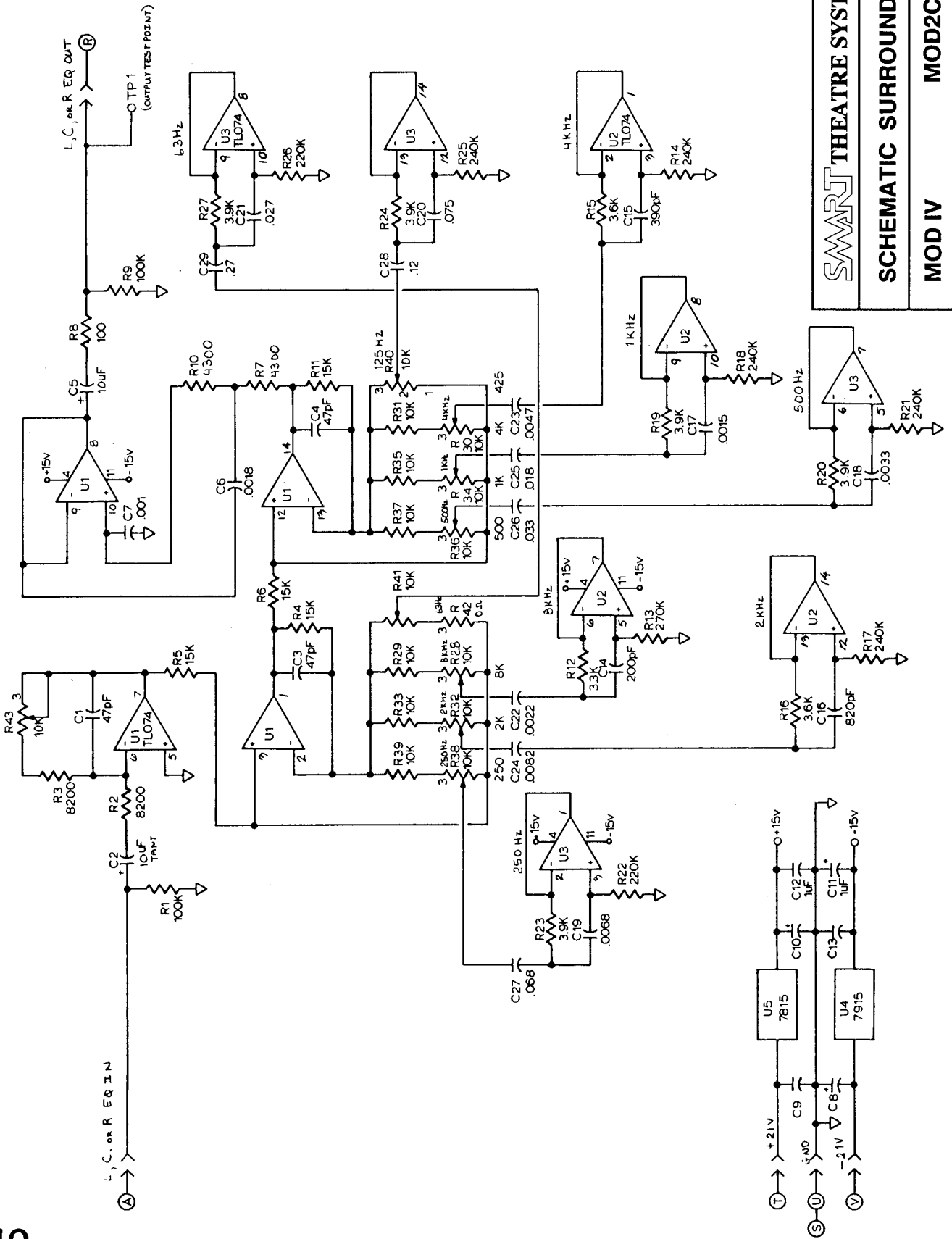


NOTES:

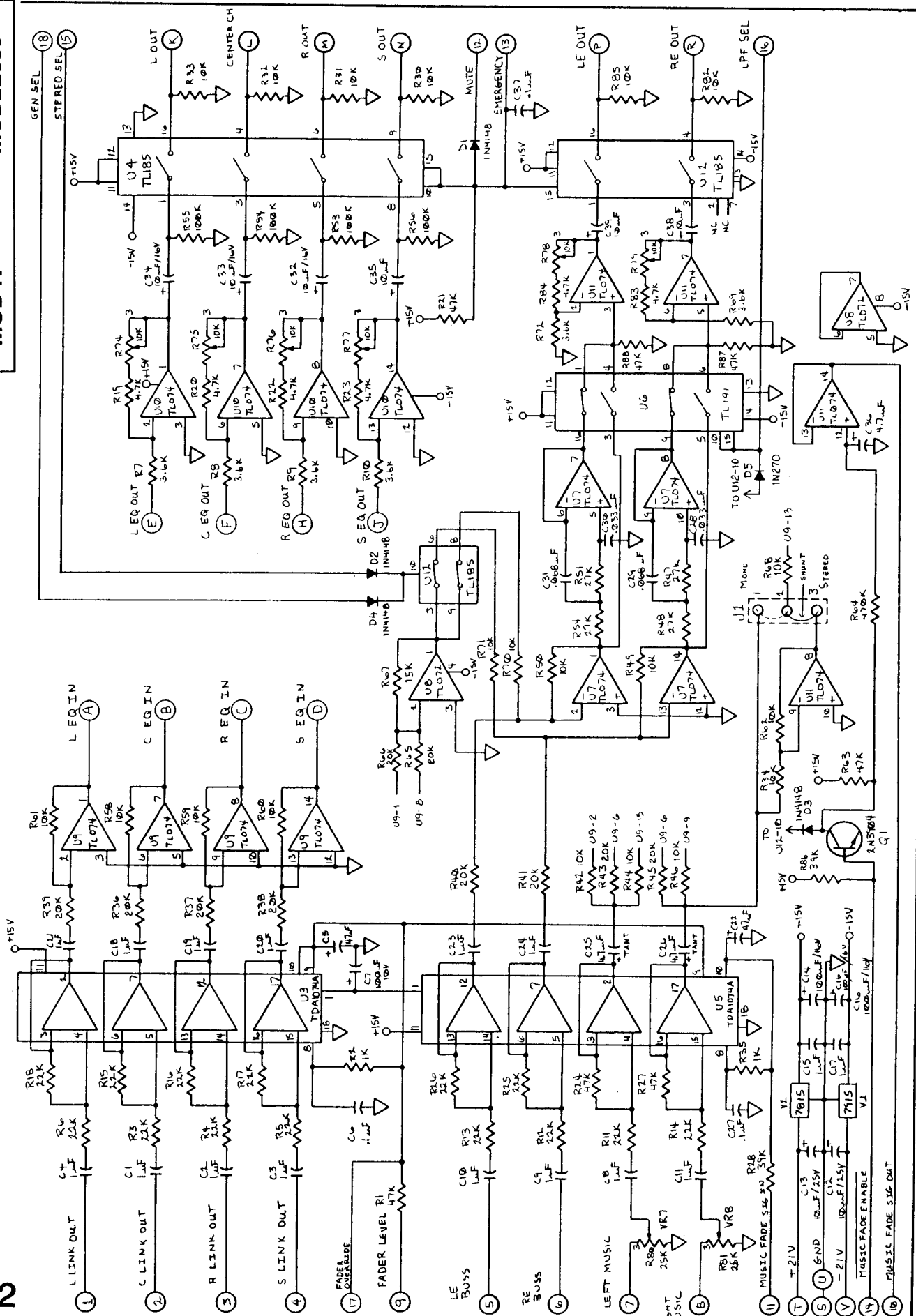
- 1) ALL TRIMPOTS ARE 10K MULTITURN
- 2) U8,U7,U9 ARE TL074
- 3) U10 IS TL072

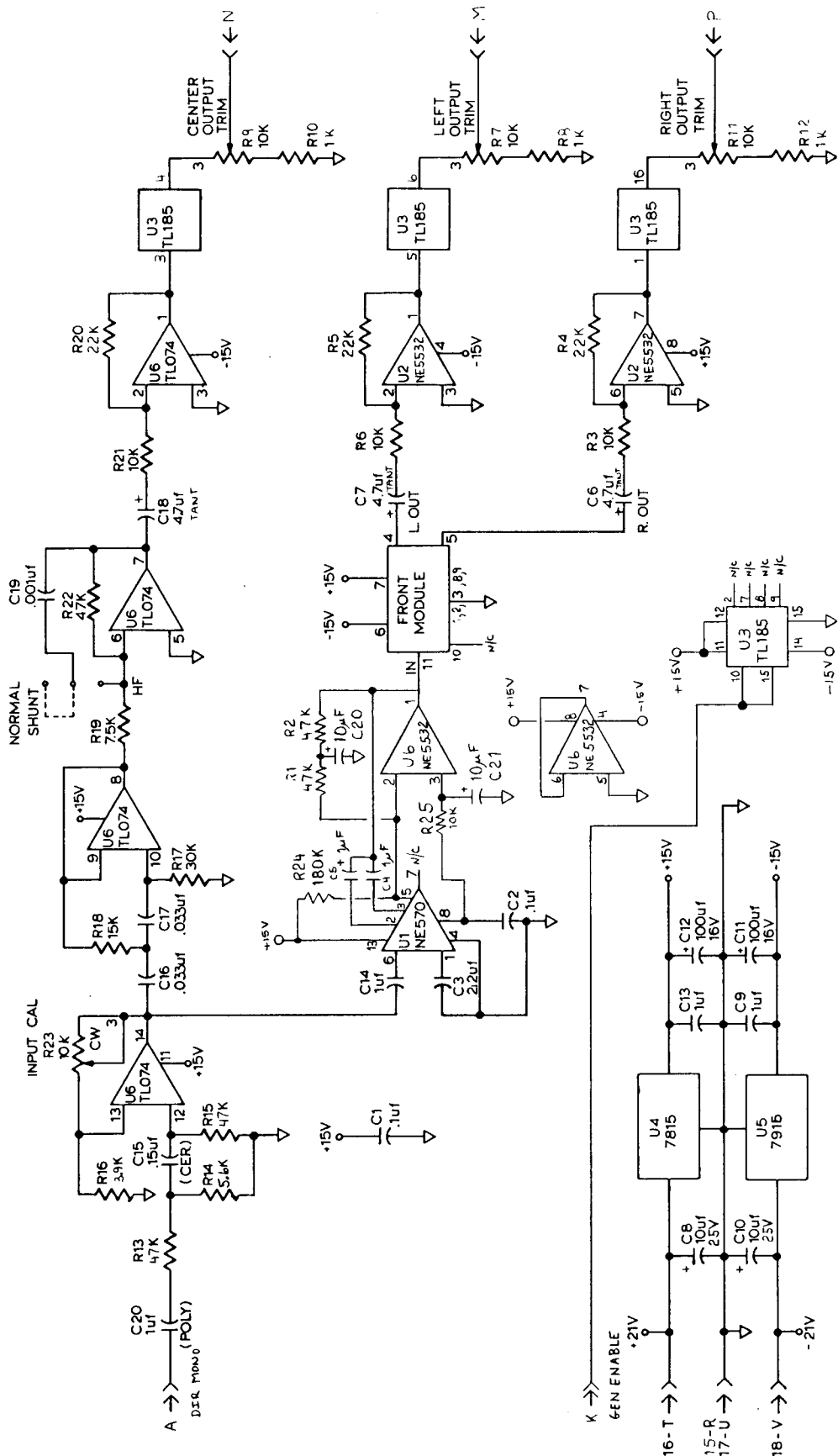


SMART THEATRE SYSTEMS			
SCALE	DATE	APPROVED	DRAWN BY:
	N/A	7/22/89	VPL
TITLE		MOD-4321 1/3 OCTAVE EQ SCHEMATIC	
COMMENTS		DRAWING# MOD-40621	

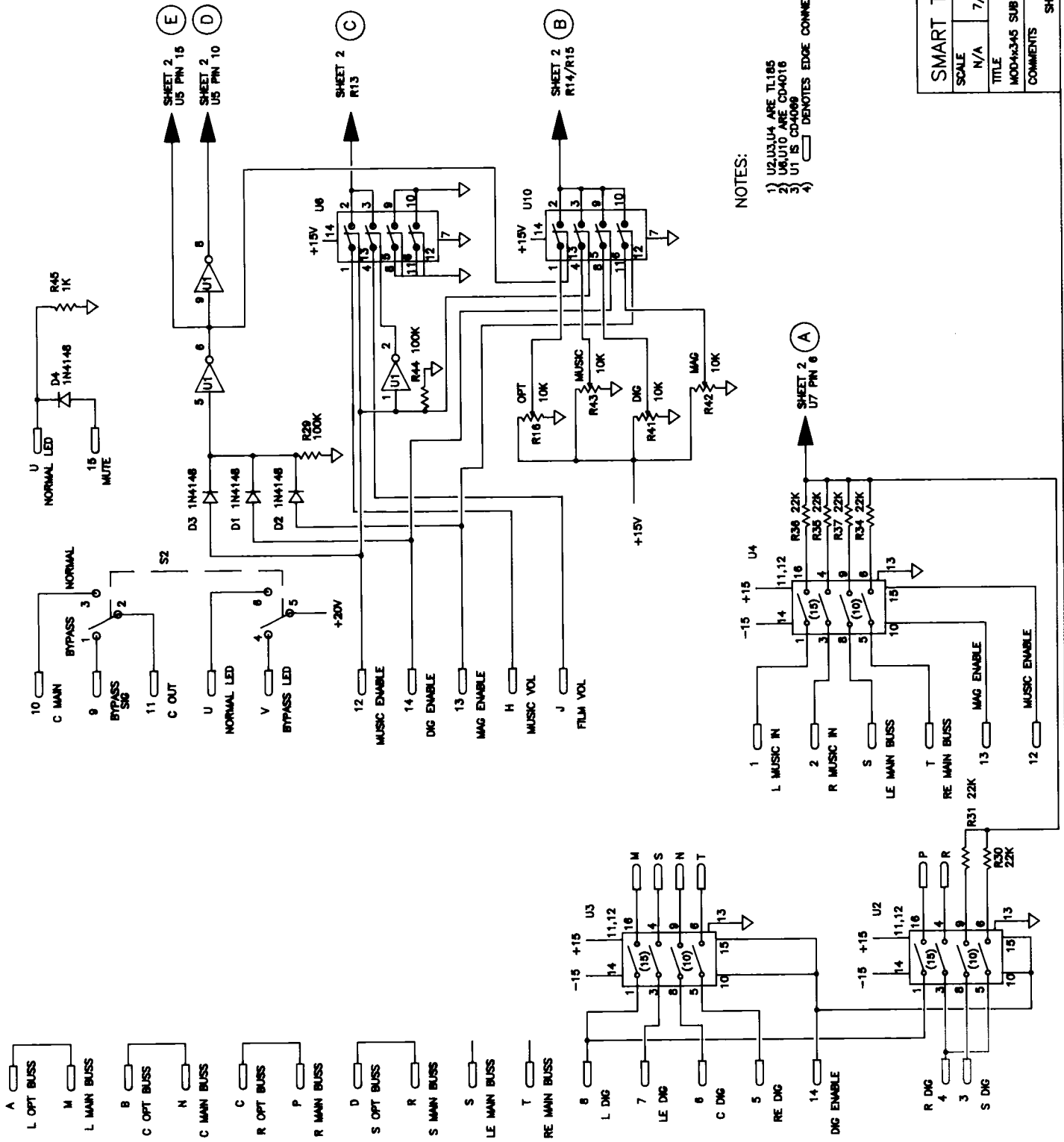


SMART THEATRE SYSTEMS
SCHEMATIC SURROUND EQ
MOD IV **MOD2C320**



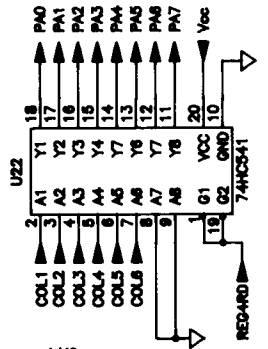
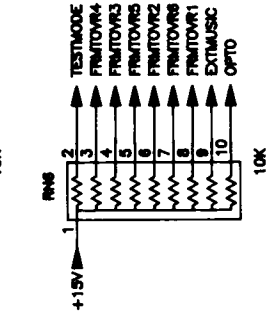
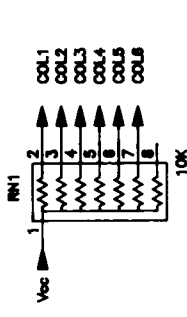
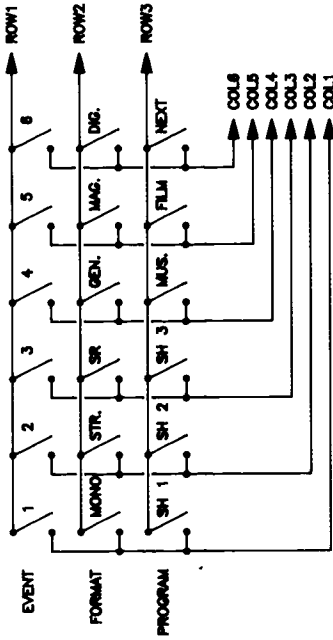


SMART THEATRE SYSTEMS
SCHEMATIC FRONT GENERATOR
MOD IV **MOD2B340**

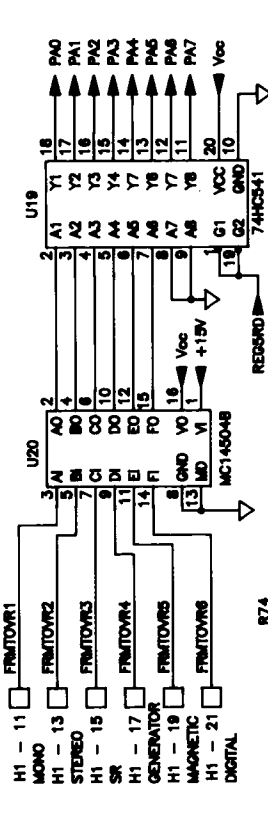


SMART THEATRE SYSTEMS			
SCALE	DATE	APPROVED	DRAWN BY:
N/A	7/22/86		VPL
TITLE			
MOD-H345 SUB BASS OPTIONS CARD SCHEMATIC			
COMMENTS			
DRAWING			
MOD-HS-45			
SHEET 1 OF 2			

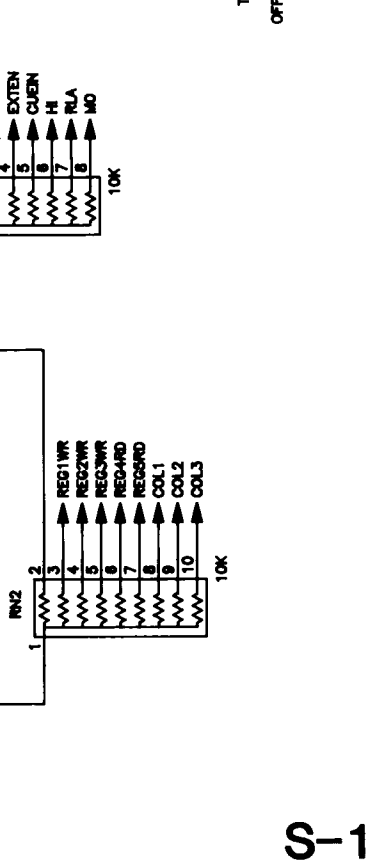
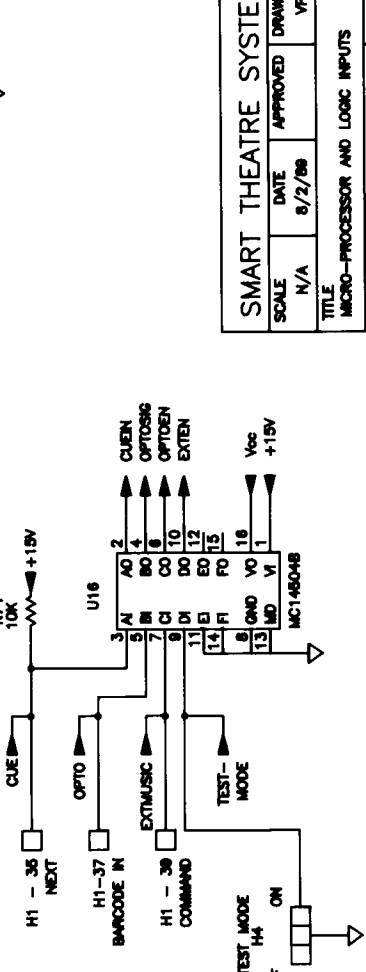
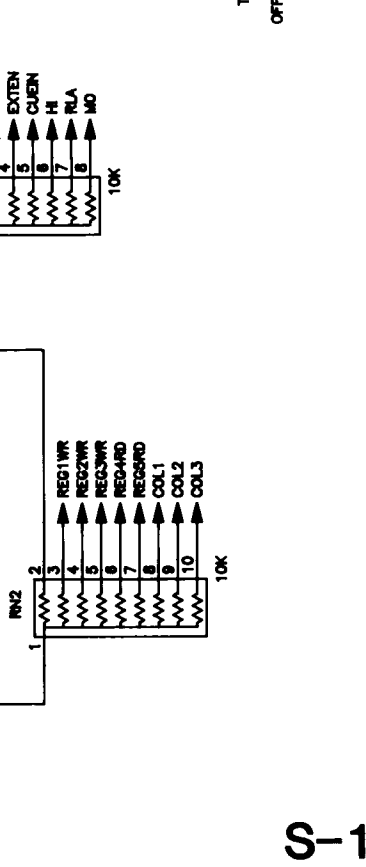
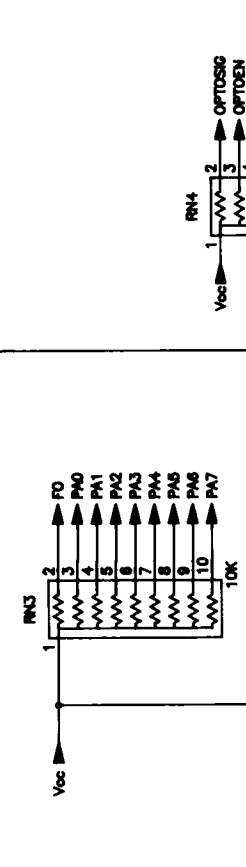
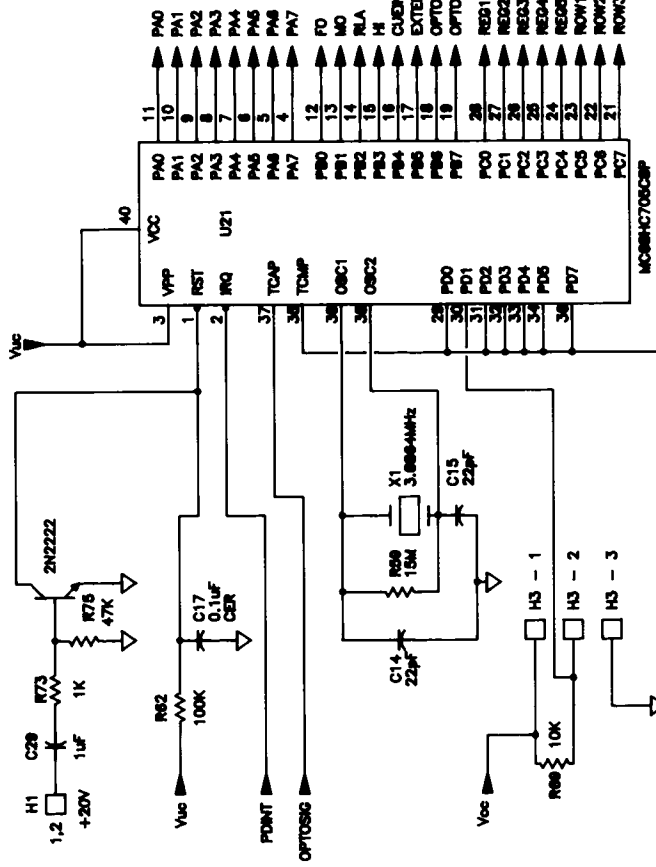
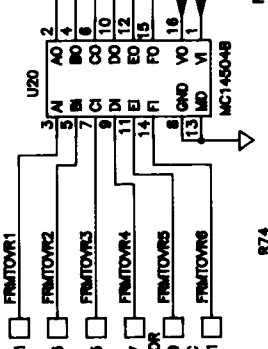
FRONT PANEL MEMBRANE SWITCHES



FORMAT OVER-RIDE INPUTS



FROM MEMBRANE SWITCH COLUMNS



SMART THEATRE SYSTEMS					
SCALE	N/A	DATE	8/2/88	DRAWN BY	VPL
TITLE					
MICRO-PROCESSOR AND LOGIC INPUTS					
COMMENTS					
MOD44380 SCHEMATIC 1 OF 4					
DRAWING NO.					
MOD44380					

