

## MN586 Active Cinema Booth Monitor

The SMART MN586 Cinema booth monitor is a low cost active monitor that employs a 10 Watt solid state amplifier and a 4 inch loudspeaker mounted on a 5 1/4 inch high rack mount panel. Input connections are made to screw type terminal strips on the back of the PC board of the audio power amplifier. Each of six channels can be selected by the front panel Channel Selector Switch. The channels are labeled:

LEFT-CENTER-RIGHT-LEFT SURROUND-RIGHT SURROUND-SUBWOOFER.

Input wiring to the monitor amplifier may be a multi-conductor shielded audio cable or with individual shielded audio cables for each channel. Since the MN586 is almost always mounted between the cinema stereo processor and the power amplifiers, wiring is generally very short. The input levels to the MN586 are set by the factory to monitor the outputs of the auditorium power amplifiers. If additional gain is required so that the cinema stereo processor is to be monitored, a slight change of the circuit is required.

A 51 K ohm resistor is connected in series with the output of the channel selector switch. Changing the value of this resistor (R8) will increase the gain for all input channels allowing lower level signals to properly drive the amplifier, such as an output from a cinema processor. This change should be made by a competent technician if a change of gain is desired.

The power transformer for the MN586 delivers 18-20 Volts AC to the PC board. The inputs for the AC supply are clearly labeled on the terminal strip. Export models are supplied with a US type line cord. You must cut off the power plug and add your own local power plug.

The special loudspeaker used in the MN586 has a clean midrange response to allow the sound to penetrate the normal booth noise. This shaped response allows maximum clarity while monitoring each channel.

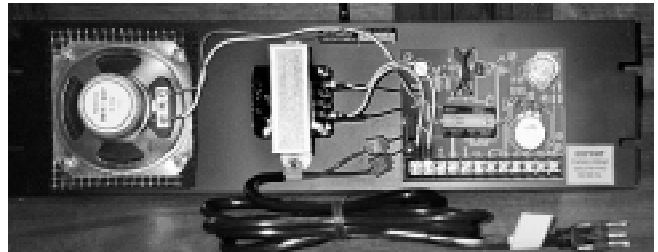
SMART maintains a factory service department to assist you in any service questions you may have. Technicians are available from 9:00 A.M. until 5:00 P.M. Eastern Time Monday through Friday.



The monitor must be mounted inside an equipment cabinet for safety. Be sure there is adequate ventilation for the power amplifier in this product.



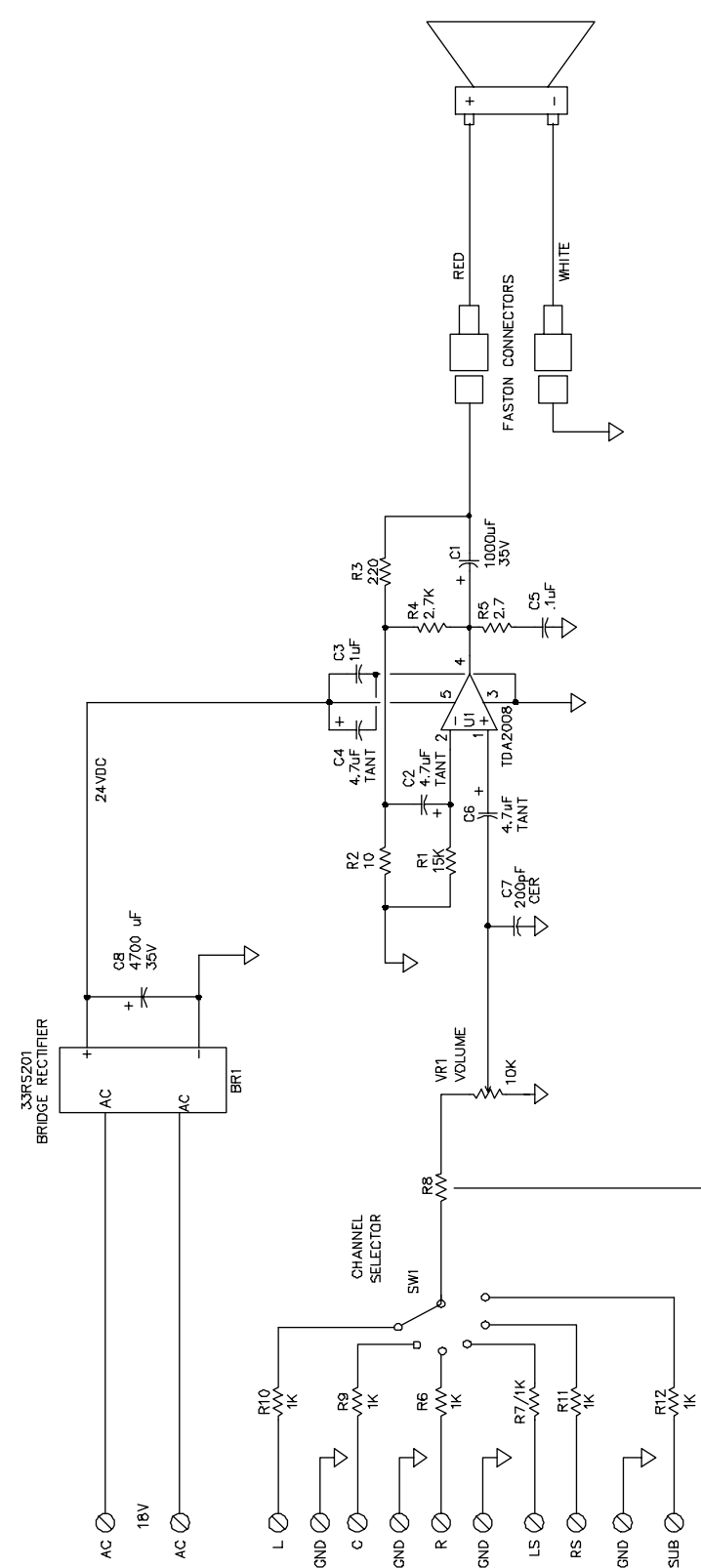
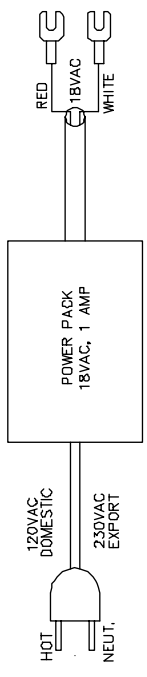
Simple controls on the front panel allow the operator to adjust sound level in the booth and select individual stereo channels for monitoring. Normally, the monitor would be set to the center channel for general monitoring.



The power transformer connects to the two terminals on the far left. Because the supply delivers 18-20 VAC polarity is not important. Audio signals from the stereo processor are connected to the input terminals for the appropriate channels.

# SMART

5945 Peachtree Corners East  
Norcross, GA 30071  
(800) 45-SMART or (770) 449-6698  
FAX: (770) 449-6728  
email: smart@america.net



51K FOR AMP MONITORING  
 0 OMS FOR PROCESSOR MONITORING

<b>SMART DEVICES, INC.</b>	
SCALE N/A	DATE 01/02/97
APPROVED DRAWN BY: OLN	
TITLE SCHEMATIC FOR MN1586 MONITOR	
COMMENTS DRAWING# 0586A500	