

DRS-50 TRANS-LINGUAL
CINEMA DIALOG
REPLACEMENT SYSTEM

INSTALLATION AND
OPERATION MANUAL

SMART
Devices, Inc.

Copyright 2000
by SMART Devices, Inc.
5945 Peachtree Corners East
Norcross, GA 30071-1337
1-800-45-SMART
or
770-449-6698

Version E, May, 2000

Copyright 2000 by SMART Devices, Inc.
5945 Peachtree Corners East
Norcross, GA 30071-1337

CONTACT:

SMART Devices Technical Support or Sales Department
8AM and 5PM, E.S.T., Monday - Friday
(800) 45-SMART
(770) 449-6698
(770) 449-6728 (FAX)
Technical Support: service@smartdev.com
International Sales: INTSales@smartdev.com
U.S. Sales: USSales@smartdev.com

LIMITED WARRANTY: SMART products and accessories are warranted against malfunction or failure due to defects in workmanship or materials for a period of one year from the date of shipment. If a problem occurs during the warranty period, the unit will be repaired, or replaced at our option, without charge for materials or labor. If air freight is requested by the dealer, the difference between air and surface charges will be billed to the dealer. This limited warranty does not cover products that have been abused, altered, modified, or operated in other than specified conditions. Prior factory approval is required on all returns. Returned equipment or defective parts must be shipped freight prepaid to us by the dealer or customer.

Our limited warranty does not cover damages resulting from accident, misuse or abuse, lack of responsible care, or failures not attributable to manufacturing defects, except as provided herein. SMART Devices, Inc. makes no warranties, express or implied, including warranties of merchantability or fitness for a particular purpose.

RETURN POLICY: Factory authorization **MUST** be obtained before returning any product. A 15% restocking charge will be issued on unused equipment (in original box) that is returned for credit. Credit is issued to the dealers account. The credit may be used against future purchases and no cash transactions are offered. All returns must be shipped freight prepaid by the dealer. Equipment returned without a factory RA (Return Authorization) will be refused.



DRS-50 Trans-Lingual
Cinema Dialog Replacement System

USER'S GUIDE

OVERVIEW, pg. 4

Description

Component Diagrams

INSTALLATION, pg. 6

Rack Unit Installation

Remote Unit Installation

Wiring

Calibration

OPERATION, pg. 8

SCHEMATICS, pg. 10

SMART products are designed to deliver unsurpassed quality in workmanship and performance. The following information gives detailed instructions on the installation and operation of the SMART DRS-50 Trans-Lingual. We strongly encourage new owners of the DRS-50 to thoroughly read this entire manual before placing their new SMART product into service. This will ensure that the DRS-50 will be operated properly to give the superior performance that it was designed to deliver.

OVERVIEW

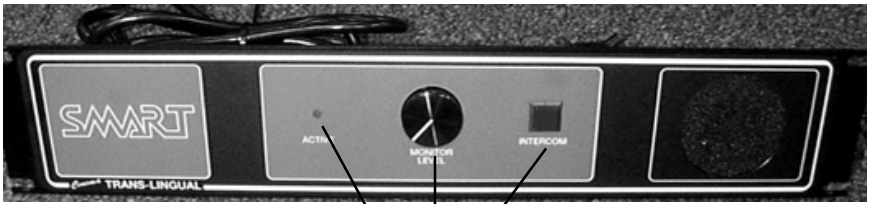


1. Description

The SMART DRS-50 Cinema Translingual is a dedicated dialog replacement system designed as a simple and cost-effective tool for presenting foreign language films in small theatres. A live translator can dub over a soundtrack channel at the touch of a button. The Translingual's features include

- Automatic soundtrack level attenuation and microphone signal insertion
- Built in voice compression circuitry
- Adjustable soundtrack "hush" level and microphone level
- Voice activated dubbing
- External hand or foot switch operation
- Projection to translation booth intercom system
- Translation output monitoring in projection booth
- Inputs for balanced and unbalanced microphones

The DRS-50 is designed as a seamless addition to the Producer Cinema Audio System, in both aesthetics and circuitry.



① ② ③

- 1. Rack Active indicator
- 2. Monitor Volume Level
- 3. Rack Intercom “push to talk” button

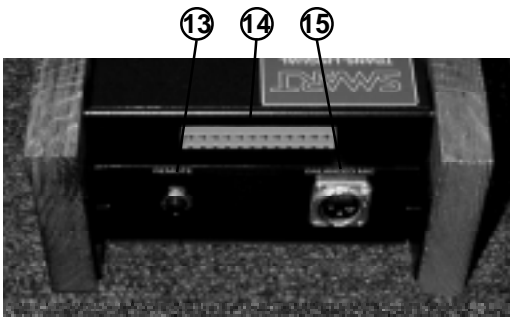


④ ⑤ ⑥ ⑦

- 4. VOX sensitivity level
- 5. Remote Active indicator
- 6. Headphone volume level
- 7. Power/Mode dial
- 8. Remote Intercom “push to talk” button

⑧ ⑨ ⑩ ⑪ ⑫

- 9. Headphone jack
- 10. Cough/Mute button
- 11. Microphone jack
- 12. Manual activate button



⑬ ⑭ ⑮

- 13. Remote (footswitch) jack
- 14. Phoenix interface connector
- 15. Balanced microphone jack

INSTALLATION

1. Rack unit installation

Confirm that the rack unit you have purchased is configured for your AC voltage. For 220VAC, R79 should have a zero Ohm resistor (a resistor with one black stripe). For 120VAC, R80 and R81 should have zero Ohm resistors. R79, R80 and R81 are located along the right edge of the rack unit circuit board (looking at the back).

The DRS-50 fits into a 3.5 inch rack space (2 standard rack units). Mount the front panel rack unit into a rack space between the cinema processor and amplifiers. Plug the power cable into the rack power strip.

2. Remote unit installation

The remote unit should be placed on a table at a comfortable height for the translator. If you are using the provided Fujikon headset, plug the 3.5mm microphone plug into the jack marked “unbalanced mic”.

3. Wiring

Remote Communication Cable. A 12 conductor cable is necessary to connect the remote unit to the rack unit. Special insulation is recommended for the microphone wire pair. A 12 conductor cable with an insulated wire pair is available from SMART (Part# TXLWIRE, specify footage required).

Check wires for continuity before running cable between translation booth and projection booth. Once the cable has been satisfactorily placed, wire the provided 12 pin Phoenix connectors to the cables. Make sure the wiring on each end is the same. The suggested wiring diagram with the SMART cable part is as follows (from left to right looking at the back of the rack unit at connector TB2):

<u>PIN</u>	<u>SIGNAL</u>	<u>WIRE COLOR</u>
1	ON/OFF	GREEN
2	V+	RED
3	V-	BLUE
4	GND	BLACK (insulated pair)
5	MIC	RED (insulated pair)
6	LHEAD	PURPLE
7	RHEAD	YELLOW
8	GND	RED\BLACK
9	ICM	ORANGE
10	VOX	RED\WHITE
11	MAN	BROWN
12	GND	BLACK

Make sure the remote unit's VOX/MAN/OFF knob is set to the OFF position. Plug the Phoenix connectors into the rear of the rack and remote units.

Processor/Amplifier Connection. Using the provided 6 pin Phoenix connector plug, connect the output of the cinema processor's dialog channel (usually CENTER) to pins 1 (IN) and 2 (GND) of connector TB1 on the rack unit. Connect the output of the Translingual, pins 5 (GND) and 6 (OUT) to the input of the appropriate amplifier.

4. Calibration

There are three adjustments available at the rack unit: SOUNDTRACK HUSH LEVEL, VOICE COMPRESSION, and MIC LEVEL.

SOUNDTRACK HUSH LEVEL. This potentiometer (R25) controls the background level of the soundtrack when the Translingual is in dub mode.

VOICE COMPRESSION. Pot R22 controls the amount of compression applied to the microphone signal. This compression minimizes the variation in volume of the speaker.

MIC LEVEL. R54 sets the overall level of the microphone signal when in dub mode.

These pots have been set at the factory for standard operation. Test the Trans-Lingual in your auditorium with these settings, and then adjust settings as desired.

OPERATION

REMOTE CONSOLE

OFF/MANUAL/VOX KNOB. Turning the dial to OFF disrupts power to both the rack unit and the remote unit. The Trans-Lingual bypasses the audio circuitry and provides a straight feedthrough for the soundtrack signal. **MANUAL** allows for non-VOX operation of the unit. Pressing the **MANUAL** button or a remote switch will put the Trans-Lingual in dubbing mode, and allow the microphone signal to be heard in the auditorium. **VOX** mode engages the voice activation circuitry, and triggers the dubbing when audio material is detected at the microphone. The **MANUAL** and remote switch buttons also operate normally in this mode.

VOX SENSITIVITY. This knob adjusts the level of audio material that triggers the **VOX** circuitry. Turning the knob clockwise increases the sensitivity, triggering the dubbing on quieter signals.

MONITOR LEVEL. This knob controls the volume level in the headphones. Turning the knob clockwise increases the volume.

INTERCOM. Pushing this button allows the microphone signal to be heard on the rack unit speaker, without sending the signal into the auditorium.

COUGH/MUTE. While this button is pushed, the VOX detection circuit is deactivated.

MANUAL. Pressing this button engages the dubbing action.

RACK UNIT

ACTIVE LED. This LED indicates when the Trans-Lingual is in dubbing mode.

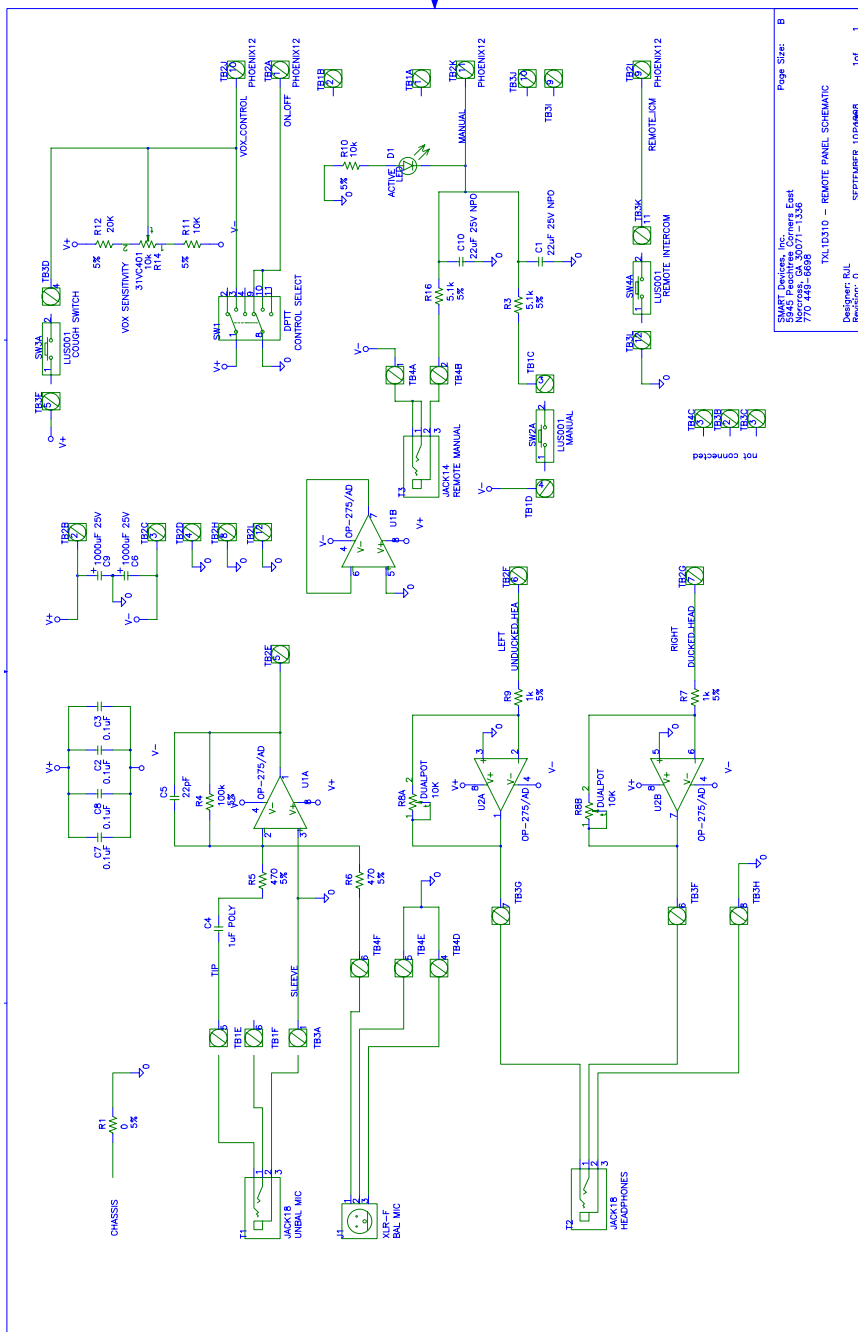
MONITOR LEVEL. This controls the volume of the monitoring speaker in the rack unit. This speaker plays the same material that is being heard in the auditorium. The Intercom system has its own preset volume that overrides this control, so that the volume may be kept low or off without missing pages from the translation booth.

INTERCOM. By pressing this button and speaking into the monitor speaker, someone in the projection booth may communicate with the person in the translation booth. This signal is only sent to the translators headphones, not into the auditorium.

SCHEMATICS

on the next page

12 DRS-50 TRANS-LINGUAL



Page Size: B
 SMART Devices, Inc.
 10000 N. 1st Street
 Mesquite, CA 95071-1346
 770 448-8688
 TAL1D310 - REMOTE PANEL SCHEMATIC
 Designer: R.L.
 Revision: 0
 SEPTEMBER 10/1989 1 of 1