



Transferring Data Between Two CP500 Cinema Processors

- | | |
|-------------------------------------|---|
| <input type="checkbox"/> | Modification Urgent |
| <input type="checkbox"/> | Modification Recommended |
| <input type="checkbox"/> | Modification Recommended on Early Units |
| <input type="checkbox"/> | Modification if Problem is Present |
| <input checked="" type="checkbox"/> | Information Bulletin |

Introduction

It is possible to send CP500 system alignment and set-up parameters to another CP500 Cinema Processor before replacing or moving it. A Cinema Processor can therefore be swapped with another and the replacement will not require re-alignment. The original data is simply copied to the replacement processor.

Equipment Needed

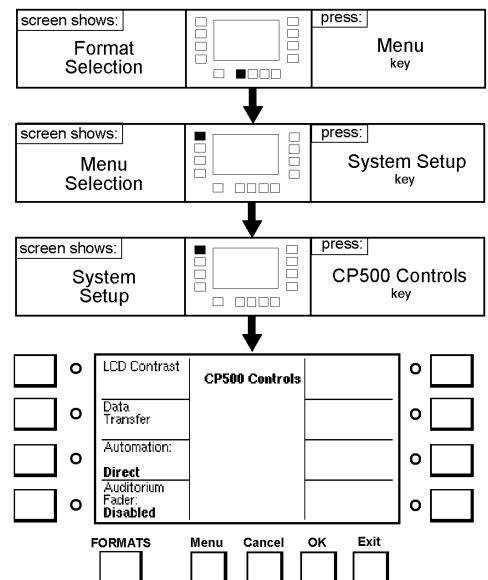
- Cable (RS232) with 9-way male D-connectors at both ends, and with the receive and transmit lines (pins 2 and 3) swapped. This type of cable is sometimes termed a "null modem" cable.

Procedure

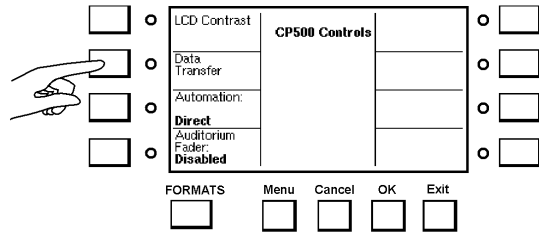
1. Connect both CP500s together with the serial cable plugged into the **Serial Data** connector located on the rear panel of each CP500 beneath the power supply.

2. On the replacement CP500 that will be **receiving** the data, go to the data transfer menu by pressing:

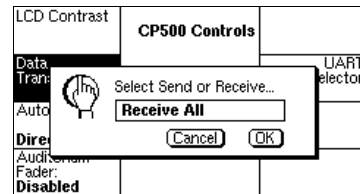
Menu
System Setup (softkey 1)
CP500 Controls (softkey 1)



2. Next, press **Data Transfer** (softkey 2).



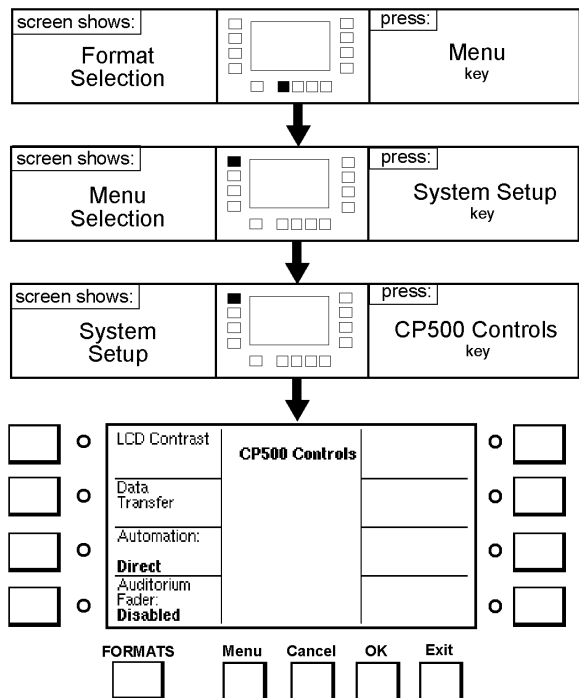
4. Rotate the fader knob to Select the **Receive All** option from the pop-up box. Other receive modes such as "Receive EQ" or "Receive Formats" can be selected if only some of the information is required to be transferred to this CP500.



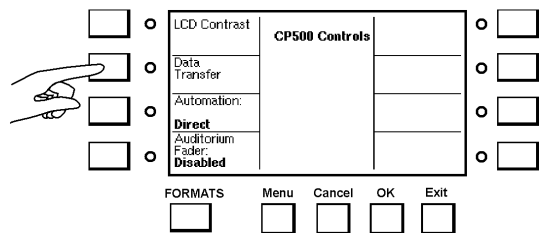
5. Press the **OK** button and the receive data pop-up box should appear. The system is now waiting for data to be sent from the other CP500.

6. On the **sending** CP500, press the key sequence:

Menu
System Setup (softkey 1)
CP500 Controls (softkey 1)



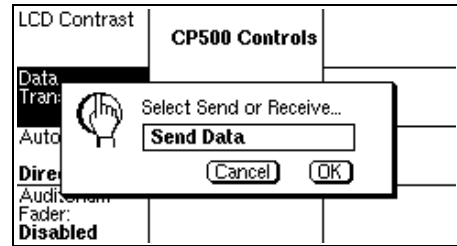
7. Next, press **Data Transfer** (softkey 2).



8. Rotate the fader knob to Select the **Send Data** option from the pop-up box.

Press the front panel **OK** button.

A progress bar will appear, showing the progress of the data transfer.



At the end of the data transfer the process will automatically stop. If there have been no errors or lost bits in the transfer, a dialog box will appear on the receiving CP500 asking if you wish to save the new settings. If the CP500 indicates that there has been an error in the transfer then it may be necessary to transfer the data between processors again if possible.

9. Press the **OK** button on the receiving CP500.

The transfer of data is now complete. Note that the **Non-sync levels** and the **Bypass level** trimpots must be adjusted in the replacement CP500 Processor. Refer to the CP500 installation manual if more information is needed on these adjustments. Also, if a Cat. No. 683 optional crossover board is installed, then the HF trimpots will need adjustment. Refer to the alignment instructions for this board.