



Cat. No. 689
Digital Remote Controller
For Model CP500

Installation and Users' Manual

Issue 2

Part No. 91439

Installation and Users' Manual

For

Cat. No 689 Digital Remote Controller

For Model CP500 Cinema Sound Processor

Dolby Laboratories Incorporated

U.S.A. 100 Potrero Avenue, San Francisco, CA 94103
Tel: 415-558-0200; Fax: 415-863-1373

U.K. Wootton Bassett, Wiltshire SN4 8QJ
Tel: (44) 1793-842100; Fax: (44) 1793-842101

Web: www.dolby.com

WARRANTY INFORMATION - USA: Warranty on the product covered by this manual is subject to the limitations and disclaimers set forth in the warranty disclaimer originally shipped with the product and also printed on the back of the invoice.

Dolby and the double-D symbol are registered trademarks of Dolby Laboratories.

©1997 Dolby Laboratories Inc.

ISSUE 2
S97/10877/11624
Dolby Part No. 91439

Introduction

The Cat. No. 689 Remote Controller provides the capability to control the Model CP500 Digital Cinema Processor from multiple remote locations. The unit features:

- Film format select
- Fader and mute functions
- A simple three-wire interface
- Projector changeover

Multiple remote controllers may be connected, each simultaneously capable of controlling the CP500.

Installation

The Cat. No. 689 is packaged in its own housing and may be used stand alone or installed into a console or wall by removing the top plate from the housing. Four screws located at the corners of the top plate affix the top plate to the housing. If the housing is used, the entry for the interface cable is designed to accept common electrical conduit. See the fold-out manual page for wiring details.

The electrical interface to the CP500 is made over three wires:

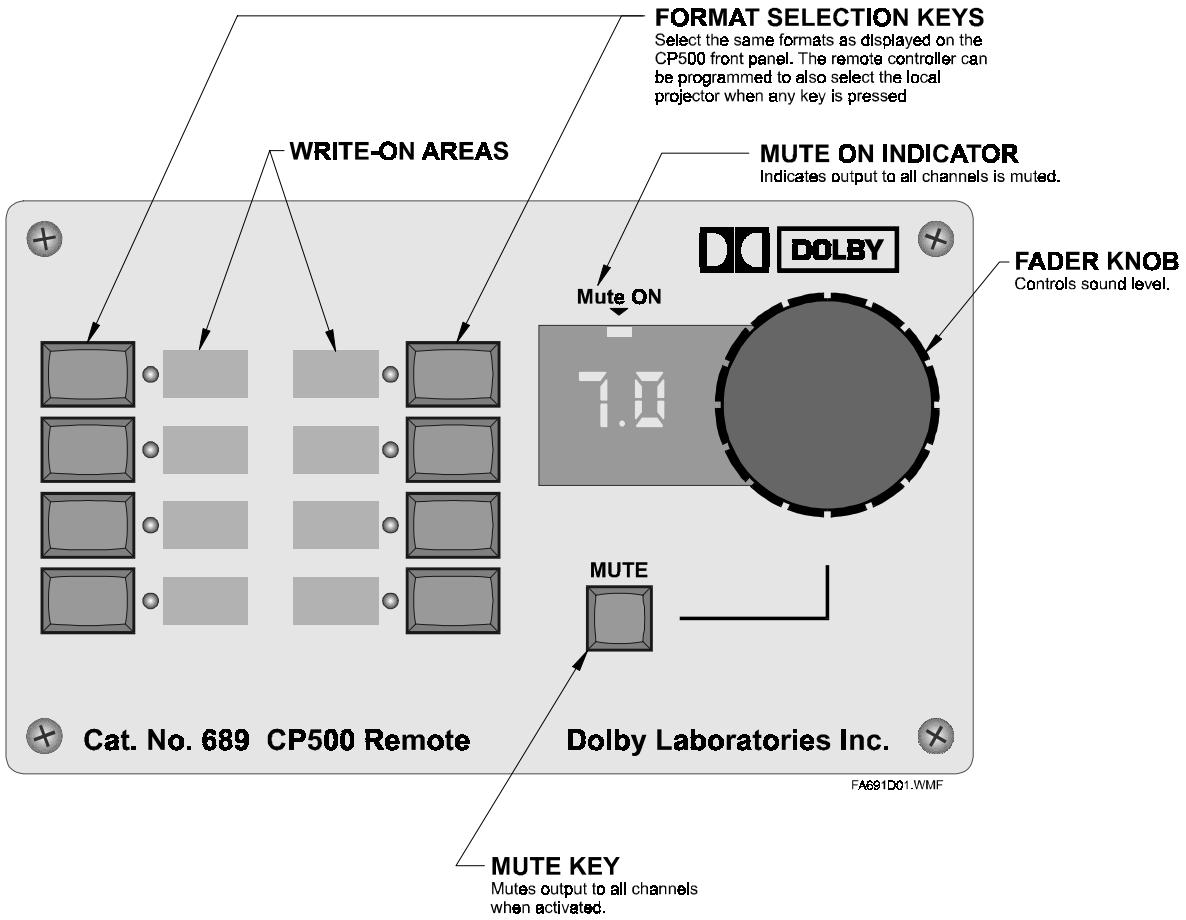
- +24 volt power from the CP500
- An RS232-like multi-drop duplex data interface signal
- A ground return wire.

Remove the four screws attaching the top plate to the housing of the Cat. No. 689 and observe the PC board attached to the underside of the top plate. The interface connector, marked "J1", is located on the lower left corner of the board. Connect the unit as shown in the wiring diagram.

For compliance with FCC and European EMC requirements, it is necessary to shield all three interface wire conductors with a braid or foil shield, which electrically connects the chassis of the Cat. No. 689 to the chassis of the Model CP500 and is not connected to circuit ground.

Multiple Projectors

In installations containing multiple projectors, it may be desirable to install a remote controller at each projector. Each Cat. No. 689 can be programmed to signal the CP500 to changeover to the projector associated with each remote controller. The projector number is programmed by means of a switch located on the Cat. No. 689 internal PC board. The switch is a 4 way DIP switch located in the middle right of the board.



Cat. No. 689 Controls

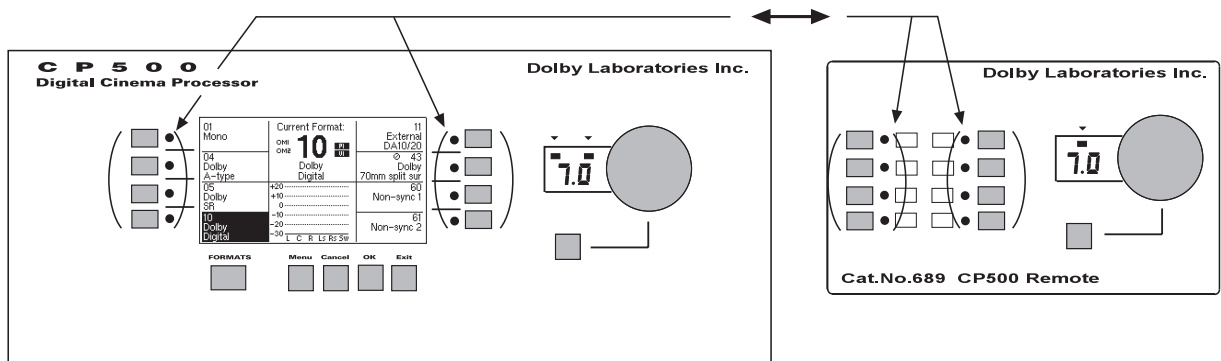
The remote is set at the factory with all switches ON (UP), which causes the Cat. No. 689 not to be associated with any projector. To program the Cat 689 to be associated with projector 1, set DIP switch 1 OFF (DOWN), and leave the other switches ON (UP). To program the Cat. No. 689 to be associated with projector 2, set DIP switch 2 OFF (DOWN), and leave the other switches ON (UP).

When a Cat 689 is programmed to be associated with a projector, any format selection from that remote will cause the CP500 to switch to that projector.

NOTE: Mute and fader changes from any remote controller will not affect the projector selection.

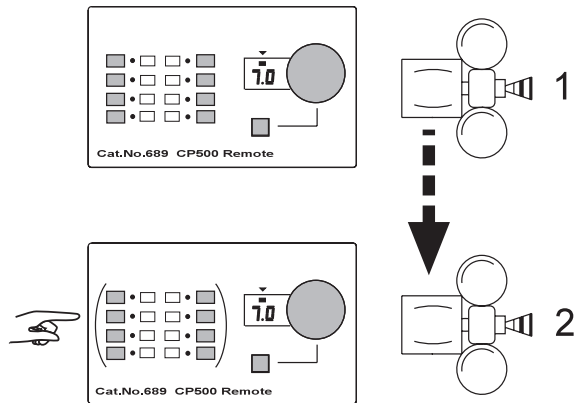
Operation

The Cat. No. 689 is activated when the CP500 enters its Format Selection menu "**Current Format**" and is disabled at all other places in the CP500 menu tree in order to avoid unwanted activation of CP500 modes from the remote.

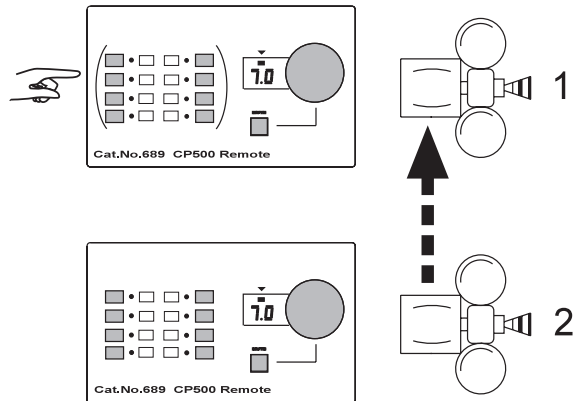


When the CP500 **Current Format** screen is active, the Cat. No. 689 is allowed to control the CP500 in the same manner as the front panel keys on the CP500. The eight format selection softkeys on the CP500 and their associated format-active LEDs are repeated on the Cat 689's eight format selection switches and LEDs. Both the CP500 fader and the Cat. No. 689 fader are simultaneously active, and the 7-segment fader displays on both devices reflect the current fader level. The mute buttons on both devices will change the mute state of the CP500.

Selecting Format at Projector 2



Selecting Format at Projector 1



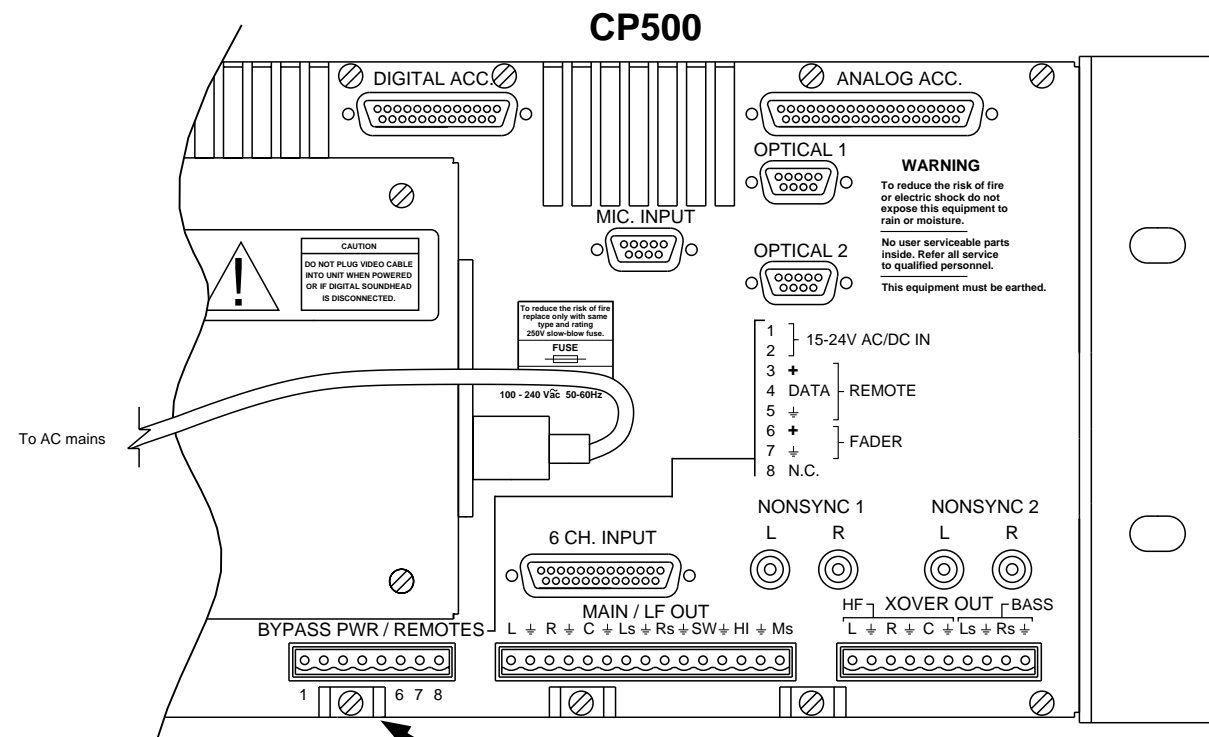
When a Cat 689 is programmed to be associated with a projector, any format selection from that remote will cause the CP500 to switch to that projector, however, mute and fader changes from the Cat 689 will not affect the projector selection.

NOTE: The CP500 can be configured so that a particular projector is automatically associated with any particular format. This is done using features of the CP500 **Custom format screen**. If your CP500 is set up this way, it is possible that a conflict may arise between the projector associated with the format and the projector associated with a particular Cat. No. 689 remote box. In all such cases, the **projector associated with the format** will be selected, regardless of which remote box originated the command.

ENGINEERING

FOLD

FOLD

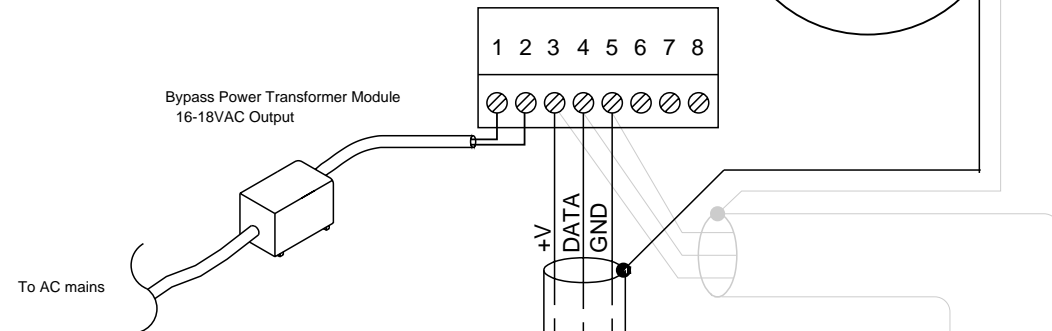
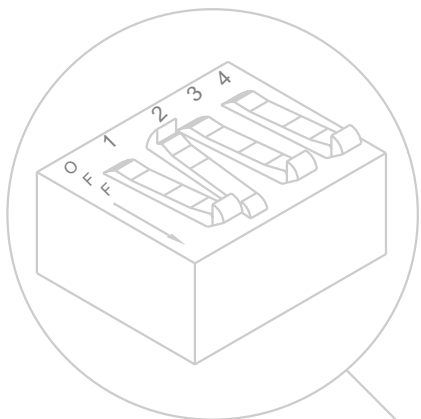
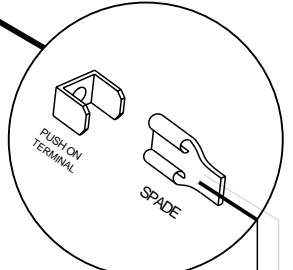
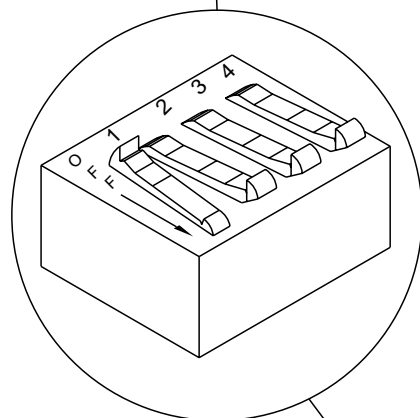


Notes:

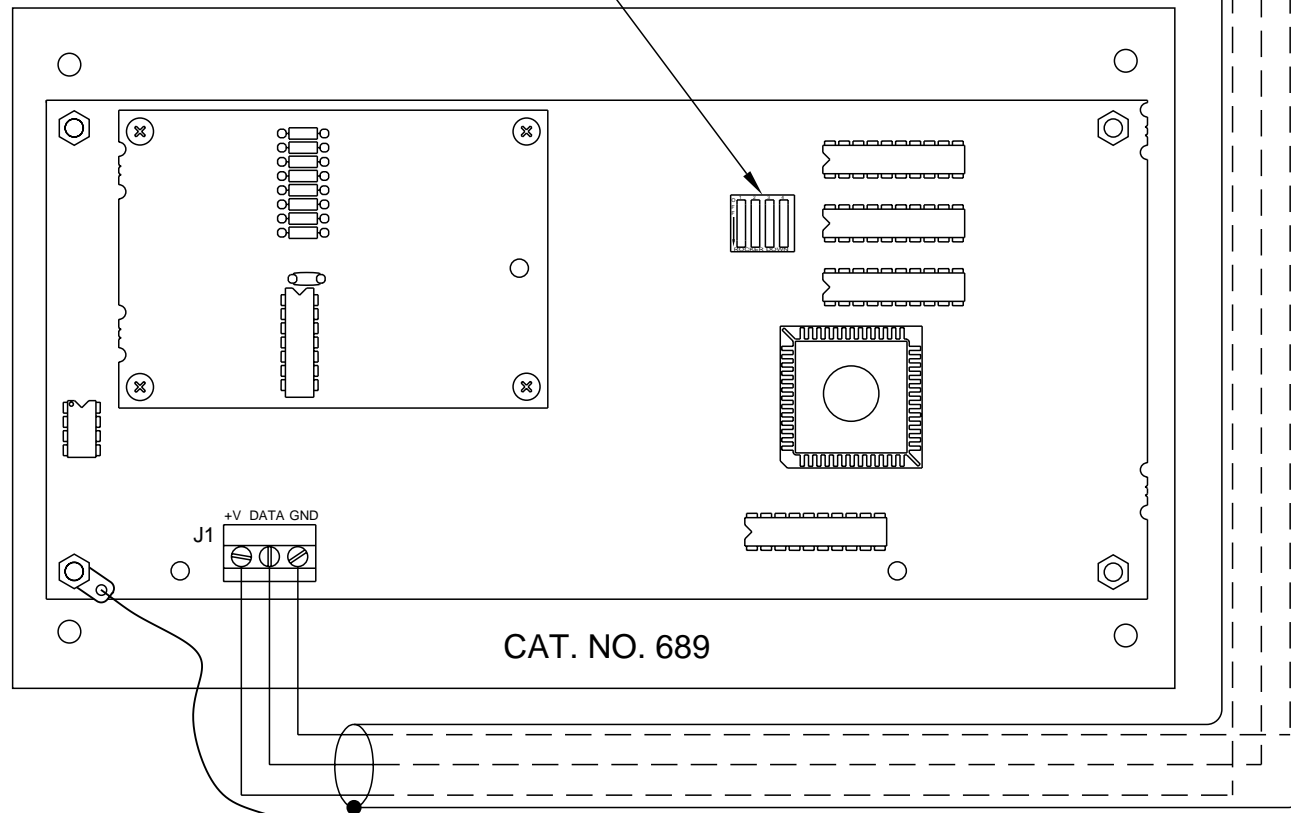
1. Follow all local electrical and building codes.
2. Use earthed (grounded) conduit wherever possible. Avoid routing signal wiring near electric motors, rectifiers, power wiring, dimmer wiring or other sources of electrical noise.
3. For three conductor with shield wiring, use Belden 8771 or equivalent.

FA691A01

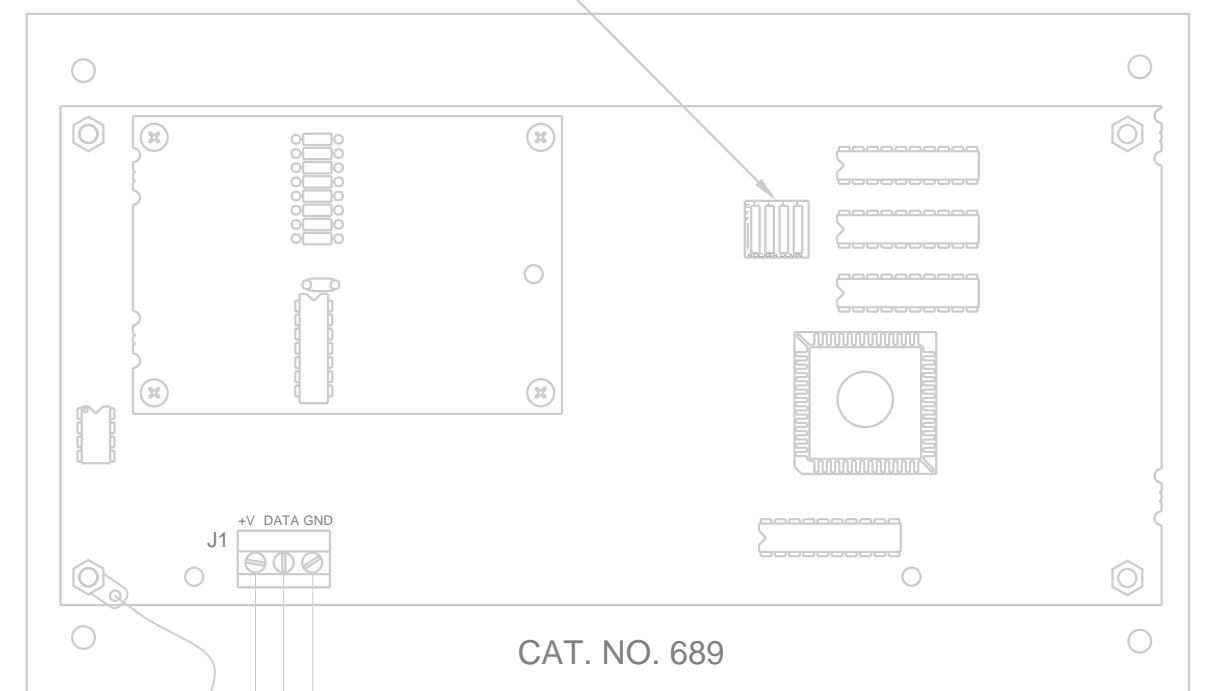
NOTE:
All switches should be set to on (up) for single projector installations.



PROJECTOR 1



PROJECTOR 2



REMOTE CONTROL WIRING
CAT. NO. 689 TO CP500

FOLD

FOLD