

Shavatron

Part No. 39099
Revised June 1996

Instruction Manual Model #1020





 **GOLD MEDAL**®


FUNFOOD EQUIPMENT & SUPPLIES


Cincinnati, OH 45241-4807 USA


SAFETY PRECAUTIONS

	⚠ CAUTION
	This equipment is designed and sold for commercial use only. This equipment is not to be used by the consumer in home use. Do not allow direct contact of this equipment by the public when used in food service locations. Only personnel trained and experienced in the equipment operation may operate this equipment. Carefully read all installation instructions before operating the equipment.

	⚠ WARNING
	Always wear safety glasses when servicing this equipment.

	⚠ WARNING
	Never put your fingers or any object into the shaver body (the gooseneck) while the motor is running. Serious injury may occur. <i>(Gold Medal Products does not assume any liability for injury due to careless handling and/or reckless operation of this equipment).</i>

	⚠ WARNING
	Any alterations to this equipment will void the warranty and may cause a dangerous situation. NEVER make alterations to the equipment.

	⚠ DANGER
	Machine must be properly grounded to prevent electrical shock to personnel. Do NOT immerse the equipment in water. Always unplug the equipment before cleaning or servicing.

NOTE

The information, specifications and illustrations contained in this manual represent the latest data available at time of publication. Right is reserved to make changes as required at the discretion of Gold Medal Products Company without notice.

OPERATING INSTRUCTIONS

You have purchased the finest ice shaver available. With proper use and care, it will give you many years of faithful service.

UNPACKING


Your Shavatron comes completely assembled and ready to operate. Remove the tape holding the door and shaver hopper lid. Make sure there are no obstructions in the hopper. Plug into an appropriate electrical outlet, and you are ready for operation.

After unpacking record the serial number and mail Gold Medal the guarantee registration card. Recording your serial number is of utmost importance in case your machine is lost or stolen.

OPERATION


Having made sure the hopper is clear of obstructions, secure a supply of ice (either blocks, cubes or rough crushed) and fill the hopper. Ice chunks should be no larger than a baseball for maximum capacity (large ice chunks take more time to shave). You can fill the hopper completely, but, in most cases, a partially filled hopper is more efficient.

Turn on the lights and note the terrific eye appeal of your Shavatron. Turn on the motor switch to begin shaving ice, note the fine consistency.


	⚠ CAUTION
	<p>Metal or foreign objects will ruin the shaving blades instantly. Make sure that both the hopper and ice supply are free of debris including: Ice picks, scoops, nails, nuts, bolts, etc.</p>


SAFETY CUT-OFF SWITCH


Your Shavatron is equipped with a safety cut-off switch. With the motor switch turned on, the machine will not operate with the hopper lid open. This is to prevent accidental injury while loading or cleaning the hopper. As long as the lid is closed, the unit will operate. Be careful no to overfill the hopper to the extent that the hopper lid stays open. **LID MUST BE CLOSED FOR THE UNIT TO OPERATE!**

	⚠ WARNING
	<p>Never put your fingers or any object into the shaver body while the unit is running. Since you can be seriously hurt by not following these instructions, Gold Medal does not assume any liability for injury die to careless handling or operation of this unit.</p>

MAINTENANCE INSTRUCTIONS

	⚠ CAUTION
	THE FOLLOWING SECTIONS OF THIS MANUAL ARE INTENDED ONLY FOR QUALIFIED SERVICE PERSONNEL WHO ARE FAMILIAR WITH ELECTRICAL EQUIPMENT. THESE ARE NOT INTENDED FOR THE OPERATOR.

	⚠ WARNING
	Adequate eye protection must be used when servicing this equipment to prevent the possibility of injury.

	⚠ DANGER
	Do NOT immerse the equipment in water. Unplug your machine before servicing.

The Shavatron requires very little maintenance, but a few items should be checked occasionally. Also, there are a few minor repairs you should be familiar with.

CHANGING SHAVER BLADES

Unplug the machine before servicing. You do not need to remove the cutter head in order to replace shaver blades. Remove the two screws holding the ice control baffle to the bottom of the hopper casting (inside the case at the top). Loosen and remove the screws, holding the blades in place. Remove and discard the old blades. Install the new blades, and set their height using the guage provided with each blade replacement kit (or, the height of a penny will suffice). After tightening the screws, check to make sure the blades are level and not canted. When finished, turn the shaver head by hand to make sure it clears the hopper casting, and there are no obstructions. Replace the ice control baffle, and plug the machine in.

MOTOR LUBRICATION


The drive motor bearings are sealed and require no lubrication. Do not oil the motor, it will cause more harm than good.

CHANGING FLUORESCENT LIGHTS

Remove hopper lid, hinge bracket and dome as described in step # 2. Replace the light tube and reassemble in reverse order.

CHANGING BELTS

Unplug your machine. (On units manufactured before 1-1-95) Raise the hopper lid until the lug on the right hand side can be lifted out of its slot in the hinge bracket. Slide the lug on the left hand side out of the hinge bracket, and remove the hopper lid. Remove the two bolts which hold the hinge bracket to the machine. The dome can now be removed. (On units manufactured after 1-1-95). Remove the four dome hold down screws. Loosen the four motor hold down bolts and slide the motor toward the center of the hopper, loosening the belt. Remove the old belt and install a new one.

	⚠ CAUTION
	<p>NEVER STRETCH THE BELT WHEN INSTALLING THE PULLEY. ALWAYS LOOSEN THE HOLD DOWN BOLTS. After the new belt is installed, move the motor to the left by hand as far as possible, making sure the belt is tight. Re-tighten the motor hold down bolts. NEVER USE A PRY BAR OR BOARD TO MOVE THE MOTOR.</p>

LUBRICATION OF THRUST BEARING AND ADJUSTMENT OF END PLAY

The small thrust bearing should be lubricated approximately once per season. Unplug your machine. Remove the hopper lid and dome as described in step # 2. To have more space in which to work, you may wish to remove the light mount bracket. To do this, remove the two screws which hold the bracket in place, and carefully lay the bracket face down on the top frame. A large hex adjustment nut is located below the pulley on the shaver shaft. Loosen the set screw in the side of the hex nut. Loosen the adjustment nut as much as possible, so it is up against the pulley. NOTE: This nut is of the airplane locking type, therefore, it will turn hard on its threads at all times. By grasping the pulley, hold the shaft upward as much as you can, and press some grease into the thrust bearing located below the adjustment nut. Use any variety of sticky type grease, such as water pump grease or Alpha Molykote Corp., No. 505 "Whitekote" lubricant (recommended by the bearing manufacturer). After the grease has been applied, screw the adjusting nut downwards until all play up and down is removed. Do not tighten any further. Now tighten the set screw and reassemble your machine.

REMOVAL AND REPLACEMENT OF GLASS

To remove glass from the frame, grip the retaining vinyl with needle nose pliers at a corner and pull. Repeat for each corner of glass. With the vinyl removed the glass will come out easily. To install new glass, place the glass in the frame, making sure the glass does not enter the channel intended for the vinyl. Starting at a corner, install the vinyl into the channel (make sure it locks into place). A knife handle with a rounded point is useful in pushing the vinyl into position. NOTE: Gold Medal does not ship glass. Obtain Double Strength glass from a local hardware store. in the following sizes:

Front Glass (1 required) — 20" x 24" x 1/8"

Side Glass (2 required) — 16" x 20" x 1/8"

ORDERING SPARE PARTS

1. Identify the desired part by checking it against the photos, illustrations, and/or the parts list.
2. When ordering, please include part number, part name, and quantity desired.
3. Please include your model name and machine serial number (located on the machine nameplate) with your order.
4. Address all parts orders to:

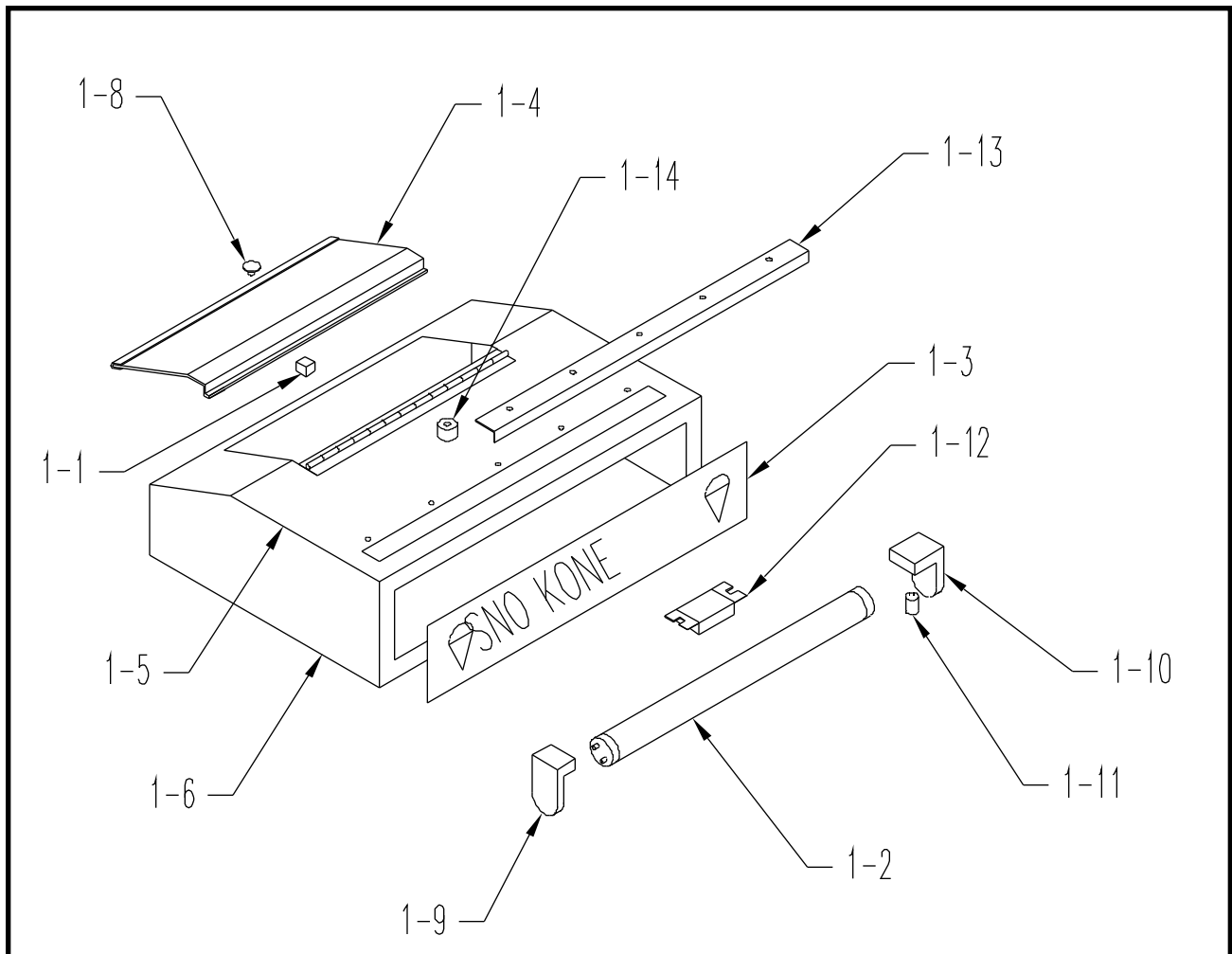
Parts Department
Gold Medal Products Co.
10700 Medallion Drive
Cincinnati, Ohio 45241-4807

or, place orders at:

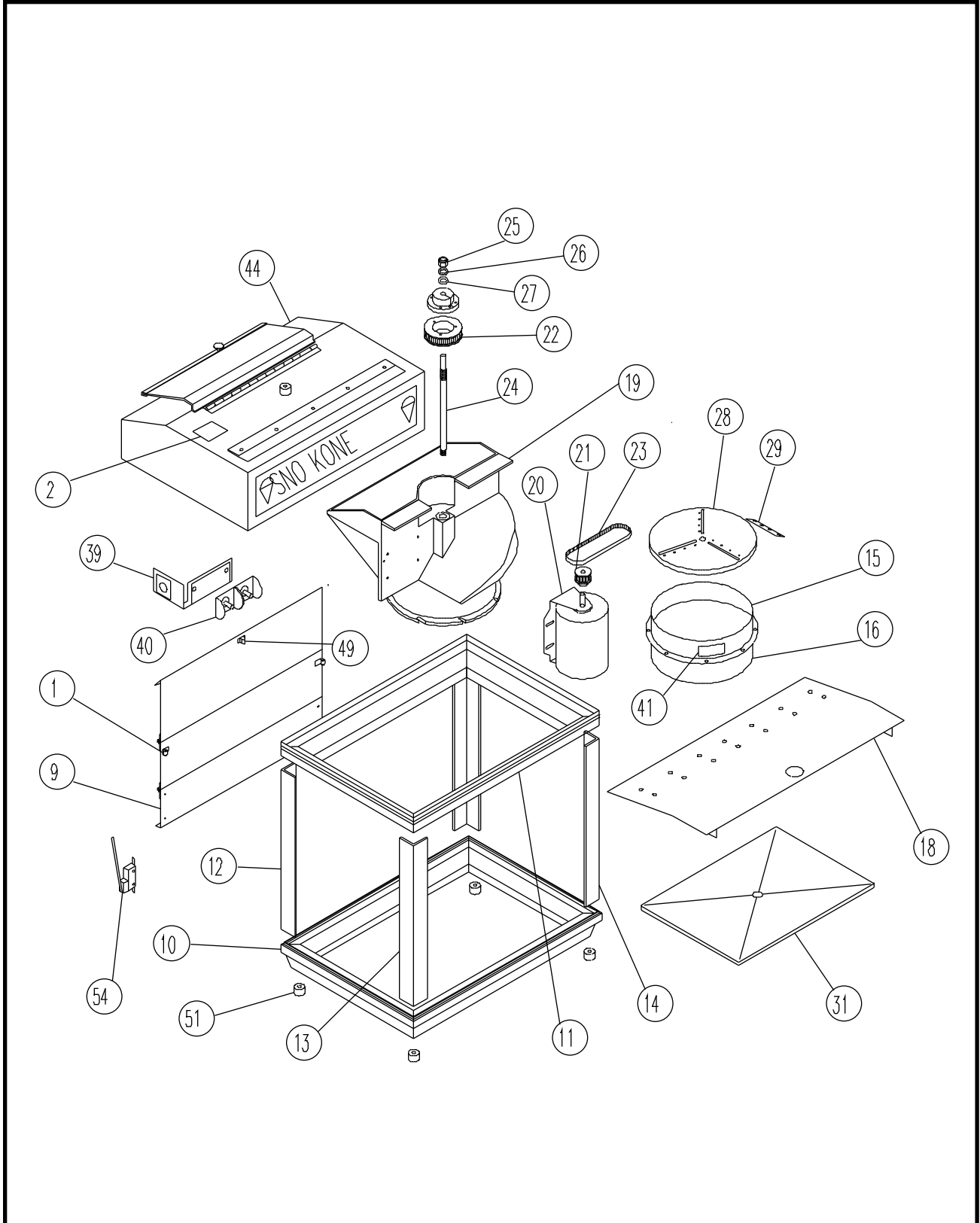
(513) 769-7676
Fax: (513) 769-8500
E-mail: goldme19@eos.net

DOME ASSEMBLY

Item No.	Part No.	Description
1-1	12078	Magnet
1-2	39016	Light Tube
1-3	39084	Sign
1-4	39111	Lid
1-5	39112	Dome Assembly
1-6	39114	Edge Trim
1-7	39115	Sponge
1-8	41013	Knob
1-9	41020	Light Tube Holder
1-10	41021	Light Tube Holder with Starter
1-11	41023	Light Starter
1-12	41316	Support Angle
1-13	47155	Rubber Foot
1-14	47726	Molded Plug
1-15	82352	Silicone Sponge



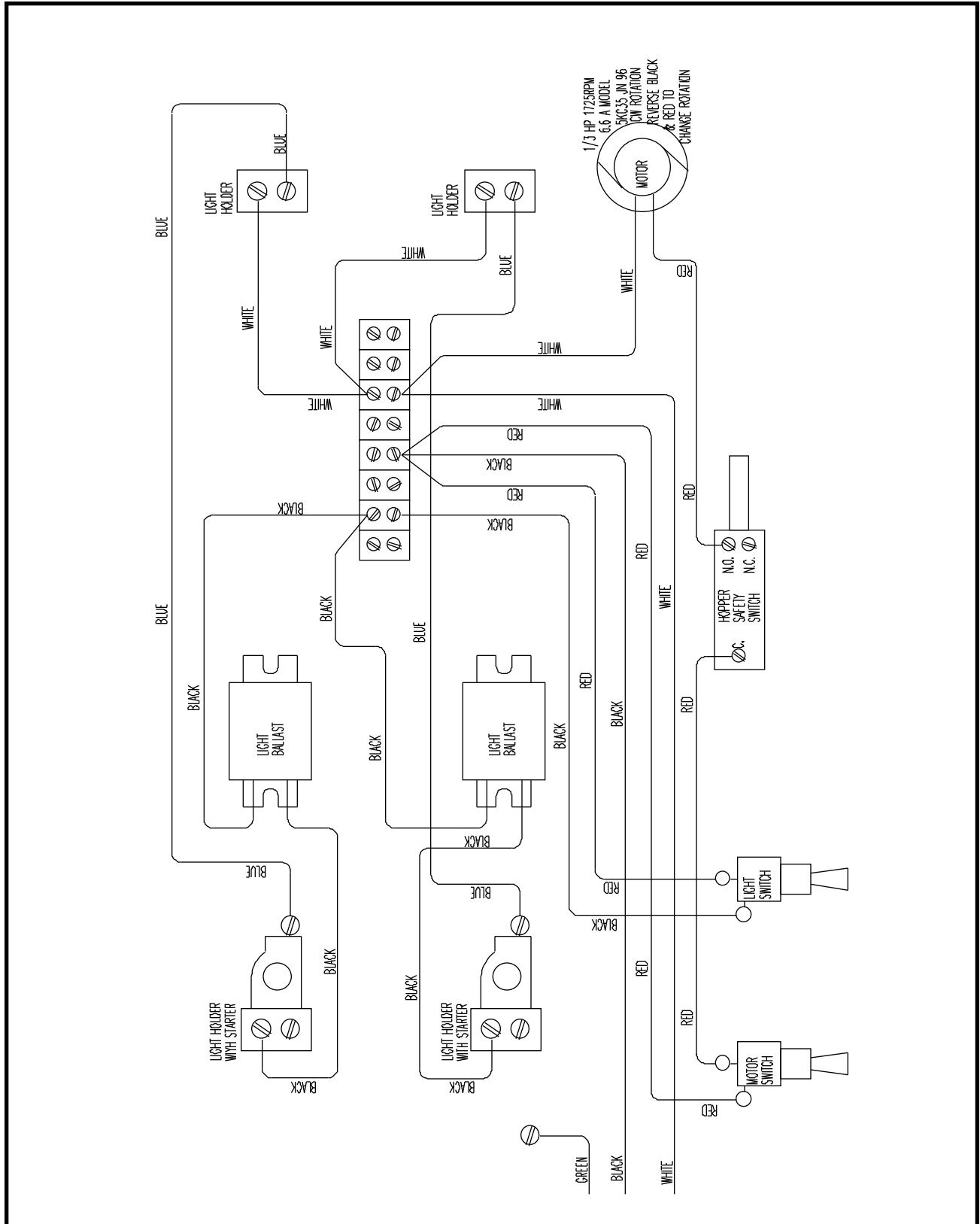
CABINET ASSEMBLY



PARTS LIST – CABINET ASSEMBLY

Item No.	Part No.	Description
1	12045	Door Catch, (3) Required
2	12062	Warning Label
9	39002	Serving Door
10	39004	Bottom Frame
11	39005	Top Frame Assembly
12	39009	Corner Post
13	39009	Corner Post
14	39009	Corner Post
15	n/a	
16	39013	Ice Control Baffle
17	n/a	
18	39019	Ice Drain Board
19	39021	Hopper (Manufactured Before 1-1-95)
	39118	Hopper (Manufactured After 1-1-95)
20	39022	Motor
21	39023	Drive Pulley
22	39024	Cutter Head Pulley
23	39025	Drive Belt (Manufactured Before 1-1-95)
	39122	Drive Belt (Manufactured After 1-1-95)
24	39026	Cutter Head Shaft (Manufactured Before 1-1-95)
	39121	Cutter Head Shaft (Manufactured After 1-1-95)
25	39027	Shaft Retaining Nut
26	39028	Thrust Bearing
27	39029	Thrust Bearing Shims
28	39030	Shaver Head
29	39037	Shaver Blade, (4) Hole
30	n/a	
31	39043	Drain Pan Assembly
32-38	n/a	
39	39057	Switch Bracket
40	39058	Switch Guard
41	n/a	
42	n/a	
44	39083	Dome
45-48	n/a	
49	n/a	
50	n/a	
51	41282	Rubber Feet

ELECTRICAL SCHEMATIC



WARRANTY

WE WARRANT to the original purchaser the Gold Medal equipment sold by us to be free from defects in material or workmanship under normal use and service. Our obligation under this warranty shall be limited to the repair or replacement of any defective part for a period of six (6) months from the date of sale to the Original Purchaser with regard to labor and two (2) years with regard to parts and does not cover damage to the equipment caused by accident, alteration, improper use, voltage, abuse, or failure to follow instructions.

THIS WARRANTY IS IN LIEU OF ALL OTHER WARRANTIES EXPRESSED OR IMPLIED, AND OF ALL OTHER OBLIGATIONS OR LIABILITIES ON OUR PART, INCLUDING THE IMPLIED WARRANTY OF MERCHANTABILITY. THERE ARE NO WARRANTIES WHICH EXTEND BEYOND THE DESCRIPTION ON THE FACE HEREOF. We neither assume, nor authorize any other person to assume for us, any other obligation or liability in connection with the sale of said GOLD MEDAL equipment or any part thereof.

The term "Original Purchaser" as used in this warranty shall be deemed to mean that person, firm, association, or corporation who was billed by the GOLD MEDAL PRODUCTS COMPANY, or their authorized distributor for the equipment.

THIS WARRANTY HAS NO EFFECT AND IS VOID UNLESS THE ORIGINAL PURCHASER FIRST CALLS GOLD MEDAL PRODUCTS COMPANY AT 1-800-428-2676 TO DISCUSS WITH OUR SERVICE REPRESENTATIVE THE EQUIPMENT PROBLEM, AND, IF NECESSARY, FOR INSTRUCTIONS CONCERNING THE REPAIR OR REPLACEMENT OF PARTS.

NOTE: This equipment is manufactured and sold for commercial use only.



GOLD MEDAL PRODUCTS COMPANY
10700 Medallion Drive
Cincinnati, OH 45241-4807 USA