

Titan 6 Oz. Popper

Part No. 49843
Revised February 1997

Popcorn Machine Instruction Manual Model #2550





 **GOLD MEDAL**®


FUNFOOD EQUIPMENT & SUPPLIES


Cincinnati, OH 45214-2089 USA


SAFETY PRECAUTIONS

	⚠ CAUTION
	This equipment is designed and sold for commercial use only. This equipment is not to be used by the consumer in home use. Do not allow direct contact of this equipment by the public when used in food service locations. Only personnel trained and experienced in the equipment operation may operate this equipment. Carefully read all installation instructions before operating the equipment.

	⚠ WARNING
	Always wear safety glasses when servicing this equipment.

	⚠ WARNING
	To avoid serious burns, do NOT touch the kettle while it is hot.

	⚠ WARNING
	Any alterations to this equipment will void the warranty and may cause a dangerous situation. NEVER make alterations to the equipment. Make sure all machine switches are in the OFF position before plugging the equipment into a receptacle.

	⚠ DANGER
	Machine must be properly grounded to prevent electrical shock to personnel. Do NOT immerse the kettle, warmer, or any other part of this equipment in water. Always unplug the equipment before cleaning or servicing.

NOTE

The information, specifications and illustrations contained in this manual represent the latest data available at time of publication. Right is reserved to make changes as required at the discretion of Gold Medal Products Company without notice.

INSTALLATION INSTRUCTIONS

SETUP

Your new TITAN Popcorn Machine is completely assembled. Remove all packing material and tape before starting operation.

OPERATING INSTRUCTIONS

CONTROLS AND THEIR FUNCTIONS

There are three switches on the popper.

LIGHT AND WARMER SWITCH

Turns on the heat to the bottom corn pan and heat light.

KETTLE MOTOR SWITCH

Turns on the motor which drives kettle agitator shaft.

KETTLE HEAT SWITCH

Turns on the heat element

AMOUNT OF POPCORN AND OIL

Your new popper is equipped with a six ounce [177 ml] corn measure cup. We recommend flavored and colored coconut oil. Popcorn popped in coconut oil stays fresh longer. Coconut oil does not leave black deposits in your kettle like other oils.

Corn charge - 6 oz. [177 ml]

Oil charge - 1.6 to 2.0 oz. [60 ml]


Flavacol - 1 tablespoon [8 cc]

POPPING INSTRUCTIONS



1. Turn KETTLE HEAT and KETTLE MOTOR switch "ON".
2. Make test pop with 3 kernels of corn and 1 oz. [30 ml] of oil.
3. Pour pre-measured popcorn and oil pouch into kettle.
4. When corn has popped, dump kettle.
5. Repeat steps 3 and 4 for additional batches; always pop 3-5 batches for best popcorn.

CARE AND CLEANING




	<p style="text-align: center;">⚠ DANGER</p> <p>Unplug your machine before cleaning glass panel and case. Never immerse the kettle in water. This will ruin the electrical components and automatically void the guarantee.</p>
---	---

Each time you finish a series of poppings, wipe the outside of the kettle with a soft cloth to remove any oil drippage on the outside of the kettle. After you finish popping for the day, allow kettle to cool until it is not too hot to handle, but still warm. Unplug kettle and remove it from the machine. With a cloth, wipe out the inside of the kettle, kettle lid, crossbar, outside and underneath of the kettle.

Cleaning the cabinet of your machine is easy. Wipe excess grease from the glass using a clean cloth. Wipe the outside of the machine also.

NOTE: Never use a glass or plastic cleaner that contains ammonia. It will crack the plastic on the machine.

MAINTENANCE INSTRUCTIONS

	⚠ CAUTION
	<p>THE FOLLOWING SECTIONS OF THIS MANUAL ARE INTENDED ONLY FOR QUALIFIED SERVICE PERSONNEL WHO ARE FAMILIAR WITH ELECTRICAL EQUIPMENT. THESE ARE NOT INTENDED FOR THE OPERATOR.</p>
	⚠ WARNING
	<p>Adequate eye protection must be used when servicing this equipment to prevent the possibility of injury.</p>
	⚠ DANGER
	<p>Do NOT immerse the kettle, warmer, or any other part of this equipment in water. Unplug your machine before servicing.</p>

ACCESSORIES

Description	Part Number
Shipping Carton	49833
Corn Measure Cup	49049
A-Scoop	47145
Flavacol Cup	47678
Popper Cleaning Towel	47660

ORDERING SPARE PARTS

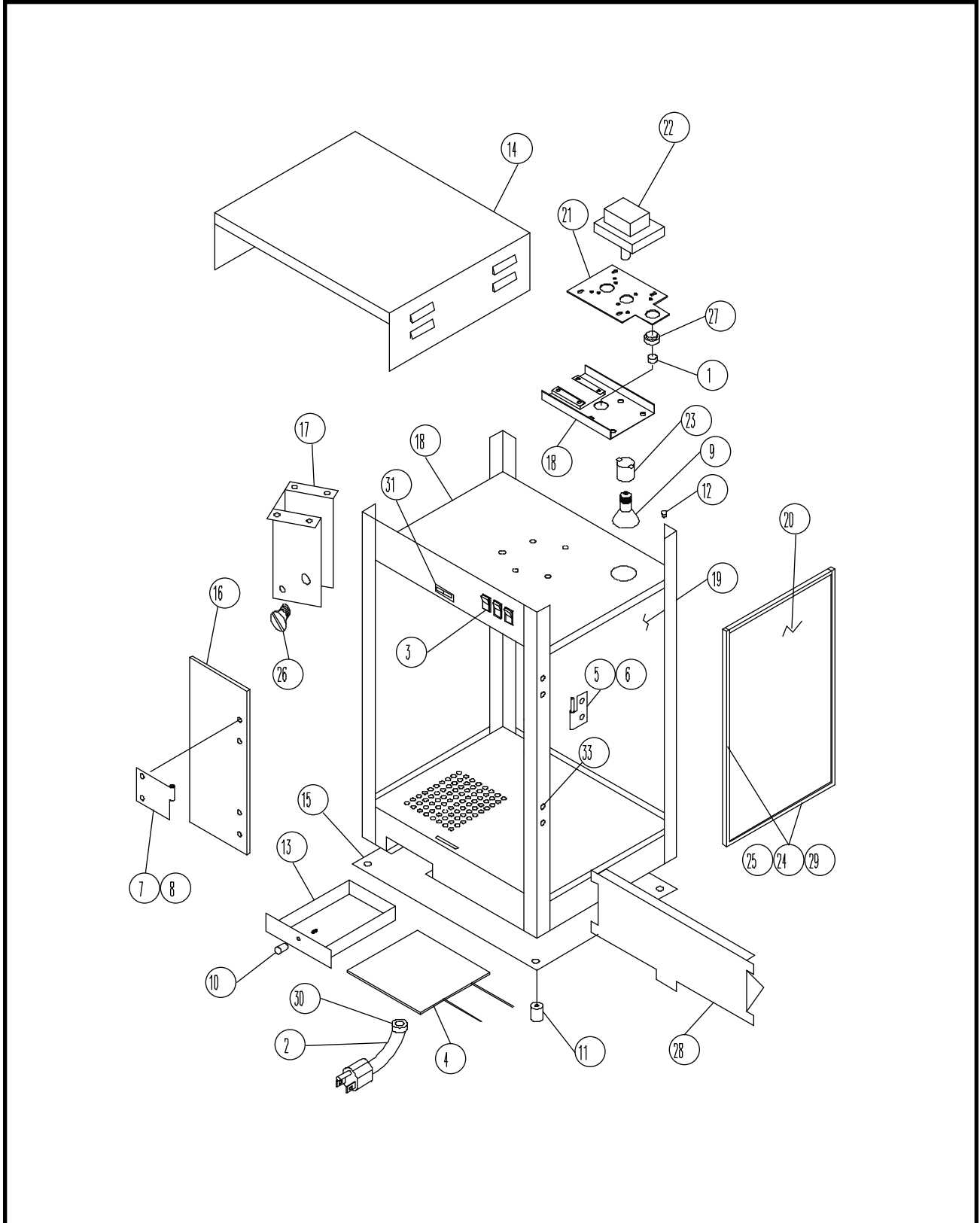
1. Identify the desired part by checking it against the photos, illustrations, and/or the parts list.
2. When ordering, please include part number, part name, and quantity desired.
3. Please include your model name and machine serial number (located on the machine nameplate) with your order.
4. Address all parts orders to:

Parts Department
 Gold Medal Products Co.
 10700 Medallion Drive
 Cincinnati, Ohio 45241-4807

or, place orders at:

(513) 769-7676
 Fax: (513) 769-8500
 E-mail: goldme19@eos.net

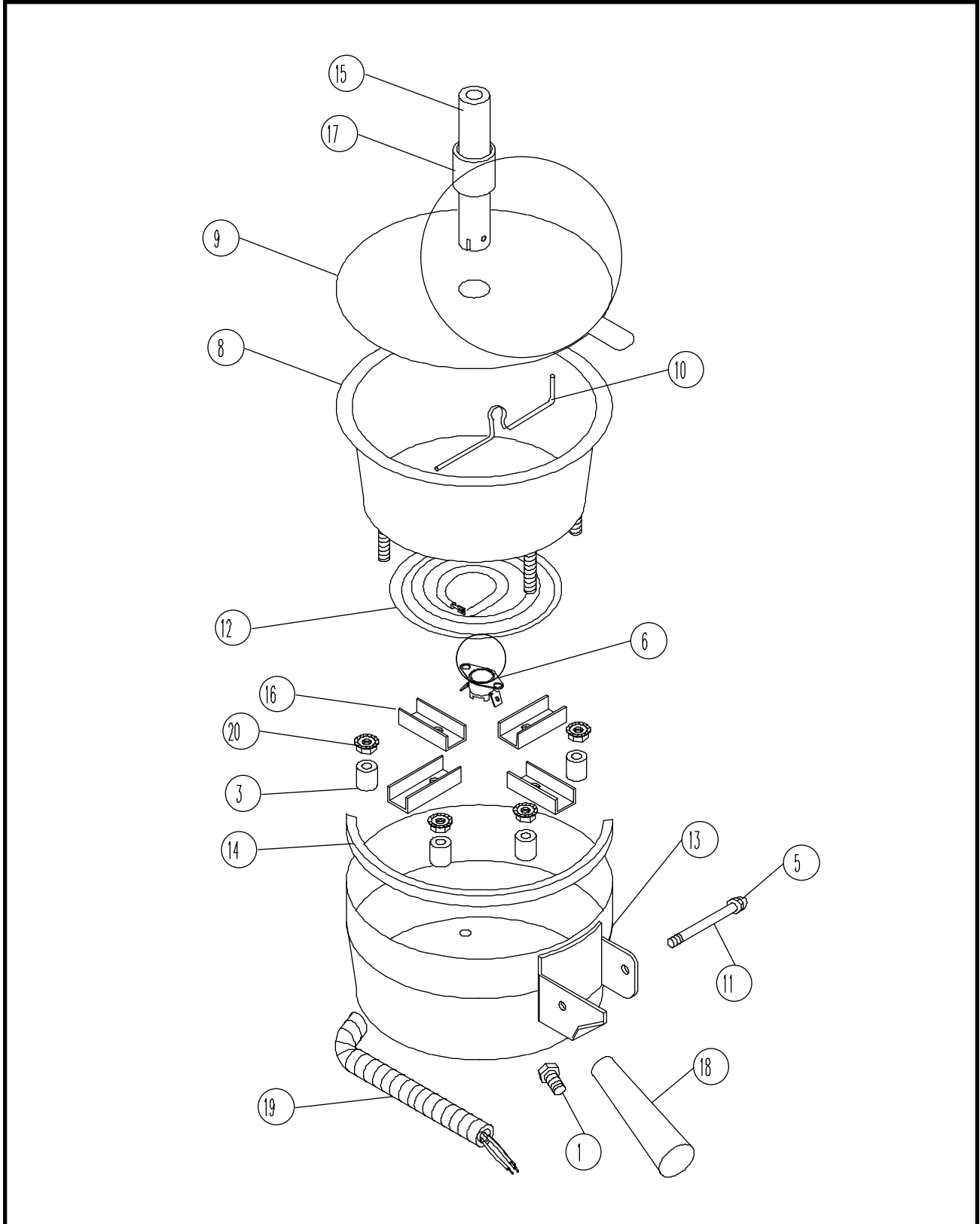
TITAN POPPER ASSEMBLY



PARTS LIST - CABINET ASSEMBLY

Item No.	Part No.	Description	Quantity
1	12077	½" O.D. x ¼" T Magnet	1
2	22038	Lead-in-Cord, 15 Amp	1
3	40324	Switch, SPST Rocker Type	3
4	40557	20 Watt Foil Heater	1
5	41349	Male Hinge, Short Left	1
6	41350	Male Hinge, Short Right	1
7	41351	Female Hinge, Long Right	1
8	41352	Female Hinge, Long Left	1
9	42947	50 Watt Flood Light, Coated	1
10	47120	Knob, Lid Lift	3
11	47155	Rubber Feet	4
12	47236	Bushing Snap	2
13	49100	Old Main Pan	1
14	49805	Dome	1
15	49810	Bottom Cover	1
16	49816	Door, Front	2
17	49817	Hanger Arm	1
18	49818	Upper Plate Stiffener	1
19	49826	Front Glass	1
20	49827	Side Glass	2
21	49830	Motor Plate	1
22	49834	Drive Motor	1
23	49837	Lamp Holder	1
24	49844	Rigid Channel, 21 ⁵ / ₁₆ "	6
25	49846	Rigid Channel, 10 ⁷ / ₃₂ "	4
26	49847	¼-20 x ½" Oval Head M/S	1
27	49851	Magnet Retainer	1
28	49856	Drop Panel Assembly	1
29	74172	Rigid Channel, 16 ¼"	2
30	76026	Strain Relief	1
31	87576	Magnetic Catch	2
32	49833	Shipping Carton	1
33	49848	Expansion Nut	8

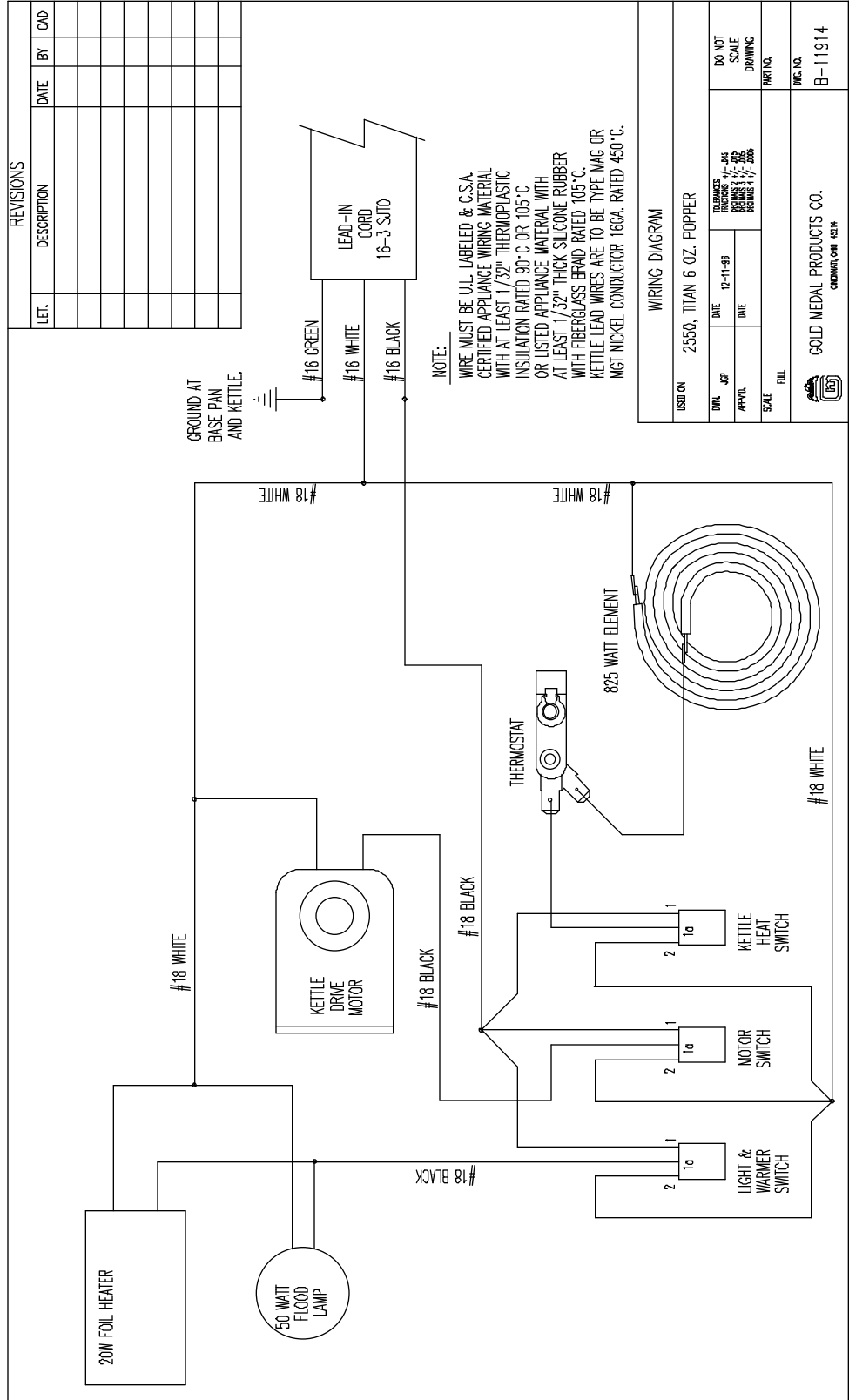
6 Oz. KETTLE ASSEMBLY



PARTS LIST - 6 Oz. KETTLE ASSEMBLY

Item No.	Part No.	Description
	49836	6 Oz. Kettle Complete
1	20051	Hex Bolt, $\frac{3}{8}$ -16 x $\frac{3}{4}$ "
2	41742	Set Screw, 10-32 x $\frac{3}{16}$ "
3	42297	Spacer, Kettle
4	46241	Conduit Connector, 90°
5	46528	Acorn Nut
6	49609	Thermostat
7	47373	Conduit Connector, Straight
8	49800	Kettle, Plated
9	49820	Kettle Lid
10	49822	Stir Rod
11	49823	Pivot Bar
12	49824	Heat Element, 925 Watt, 120 Volt
13	49828	Shell, Plated
14	49829	Gasket, Kettle
15	49839	Agitator Assembly
16	49841	Element Clamp
17	49854	Agitator Weight
18	76075	Plastic Handle
19	82107-17	SS Flex Conduit, 17" Long
20	49363	Serrated Hex Nut, #10-24

ELECTRICAL SCHEMATIC



WARRANTY

WE WARRANT to the original purchaser the Gold Medal equipment sold by us to be free from defects in material or workmanship under normal use and service. Our obligation under this warranty shall be limited to the repair or replacement of any defective part for a period of six (6) months from the date of sale to the Original Purchaser with regard to labor and two (2) years with regard to parts and does not cover damage to the equipment caused by accident, alteration, improper use, voltage, abuse, or failure to follow instructions.

THIS WARRANTY IS IN LIEU OF ALL OTHER WARRANTIES EXPRESSED OR IMPLIED, AND OF ALL OTHER OBLIGATIONS OR LIABILITIES ON OUR PART, INCLUDING THE IMPLIED WARRANTY OF MERCHANTABILITY. THERE ARE NO WARRANTIES WHICH EXTEND BEYOND THE DESCRIPTION ON THE FACE HEREOF. We neither assume, nor authorize any other person to assume for us, any other obligation or liability in connection with the sale of said GOLD MEDAL equipment or any part thereof.

The term "Original Purchaser" as used in this warranty shall be deemed to mean that person, firm, association, or corporation who was billed by the GOLD MEDAL PRODUCTS COMPANY, or their authorized distributor for the equipment.

THIS WARRANTY HAS NO EFFECT AND IS VOID UNLESS THE ORIGINAL PURCHASER FIRST CALLS GOLD MEDAL PRODUCTS COMPANY AT 1-800-428-2676 TO DISCUSS WITH OUR SERVICE REPRESENTATIVE THE EQUIPMENT PROBLEM, AND, IF NECESSARY, FOR INSTRUCTIONS CONCERNING THE REPAIR OR REPLACEMENT OF PARTS.

NOTE: This equipment is manufactured and sold for commercial use only.



GOLD MEDAL PRODUCTS COMPANY
10700 Medallion Drive
Cincinnati, Ohio 45241-4807 USA