

Special 88

Part No. 49555
Revised June 1996

Instruction Manual
Model #2388 and #2388CL





 **GOLD MEDAL**®


FUNFOOD EQUIPMENT & SUPPLIES


Cincinnati, OH 45241-4807 USA


SAFETY PRECAUTIONS

	⚠ CAUTION
	This equipment is designed and sold for commercial use only. This equipment is not to be used by the consumer in home use. Do not allow direct contact of this equipment by the public when used in food service locations. Only personnel trained and experienced in the equipment operation may operate this equipment. Carefully read all installation instructions before operating the equipment.

	⚠ WARNING
	Always wear safety glasses when servicing this equipment.

	⚠ WARNING
	To avoid serious burns, do NOT touch the kettle while it is hot.

	⚠ WARNING
	Any alterations to this equipment will void the warranty and may cause a dangerous situation. NEVER make alterations to the equipment. Make sure all machine switches are in the OFF position before plugging the equipment into a receptacle.

	⚠ DANGER
	Machine must be properly grounded to prevent electrical shock to personnel. Do NOT immerse the kettle, warmer, or any other part of this equipment in water. Always unplug the equipment before cleaning or servicing.

NOTE

The information, specifications and illustrations contained in this manual represent the latest data available at time of publication. Right is reserved to make changes as required at the discretion of Gold Medal Products Company without notice.

INSTALLATION

Your new popcorn machine comes completely assembled with the exception of knobs and rubber feet. Remove all packing material and tape before starting operation.

ELECTRICAL REQUIREMENTS

Standard voltage for all models is 120 Volt, 60 Hz, single phase AC.

CONTROLS

There are three switches on the popper.

LIGHT AND WARMER SWITCH

Turns on heat to bottom corn pan and light.

KETTLE MOTOR SWITCH

Turns on motor which drives kettle agitator shaft.

KETTLE HEAT SWITCH

Turns on heat element.

POPPING INSTRUCTIONS

1. Turn kettle heat and kettle motor switch "ON".
2. Make test pop with 3 kernels of corn and 30ml of oil.
3. Load pre-measured popcorn and oil pouch into kettle.
4. When corn has finished popping, dump kettle.
5. Repeat cycle starting with #3; always pop 3-5 batches for best popcorn.

AMOUNT OF POPCORN AND OIL

Your new popper is equipped with a 178ml corn measure cup. Popcorn popped in coconut oil stays fresher longer. Coconut oil does not leave black deposits in your kettle like other oils.

Corn charge — 237ml (8 ounces)

Oil charge — 60ml (2 ounces)




Flavacol — 8cc (1 tablespoon)

CARE AND CLEANING

Each time you finish popping, wipe the outside of the kettle with a soft cloth to remove any oil drippage on the outside of the kettle. (Be careful kettle is extremely hot) do not let it burn on. After you finish popping for the day, allow kettle to cool until it is not too hot to handle, but still warm. Unplug kettle and remove it from the machine. With a cloth, wipe out the inside of the kettle, kettle lid, crossbar, outside and underneath of the kettle. Never immerse any portion of the kettle in water. Never flood cabinet with water during cleaning.

Cleaning the cabinet of your machine is easy. Take a clean cloth and wipe excess grease from glass. Wipe the outside of the machine also.

MAINTENANCE INSTRUCTIONS

	<p style="text-align: center;">⚠ CAUTION</p> <p>THE FOLLOWING SECTIONS OF THIS MANUAL ARE INTENDED ONLY FOR QUALIFIED SERVICE PERSONNEL WHO ARE FAMILIAR WITH ELECTRICAL EQUIPMENT. THESE ARE NOT INTENDED FOR THE OPERATOR.</p>
	<p style="text-align: center;">⚠ WARNING</p> <p>Adequate eye protection must be used when servicing this equipment to prevent the possibility of injury.</p>
	<p style="text-align: center;">⚡ DANGER</p> <p>Do NOT immerse the kettle, warmer, or any other part of this equipment in water. Unplug your machine before servicing.</p>

ACCESSORIES

49026	Shipping Carton
47147	Corn Measure Cup
47145	A-scoop
47678	Flavacol Cup
47660	Popper Cleaning Towel

ORDERING SPARE PARTS

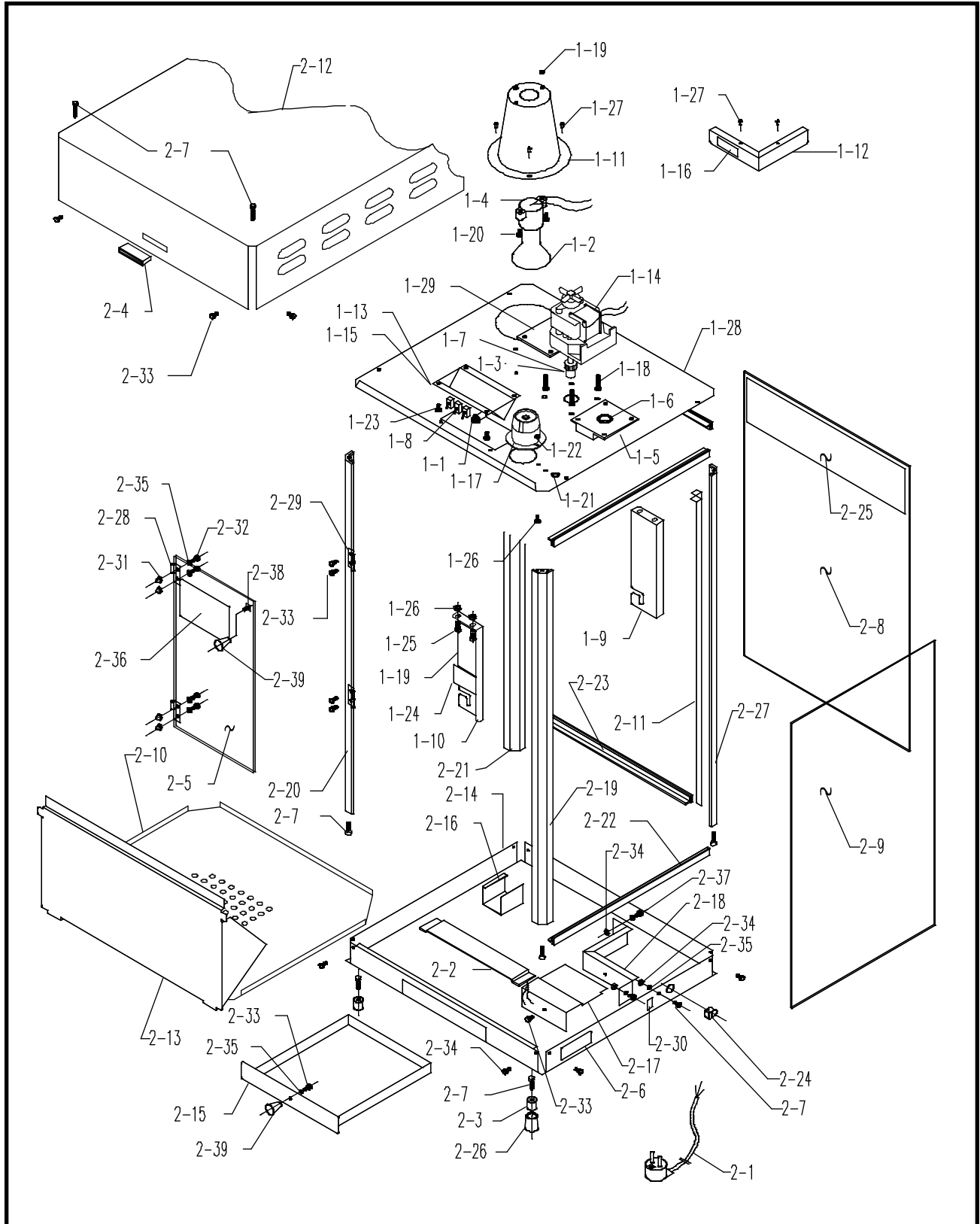
1. Identify the desired part by checking it against the photos, illustrations, and/or the parts list.
2. When ordering, please include part number, part name, and quantity desired.
3. Please include your model name and machine serial number (located on the machine nameplate) with your order.
4. Address all parts orders to:

Parts Department
Gold Medal Products Co.
10700 Medallion Drive
Cincinnati, Ohio 45241-4807

or, place orders at:

(513) 769-7676
Fax: (513) 769-8500
E-mail: goldme19@eos.net

CABINET ASSEMBLY



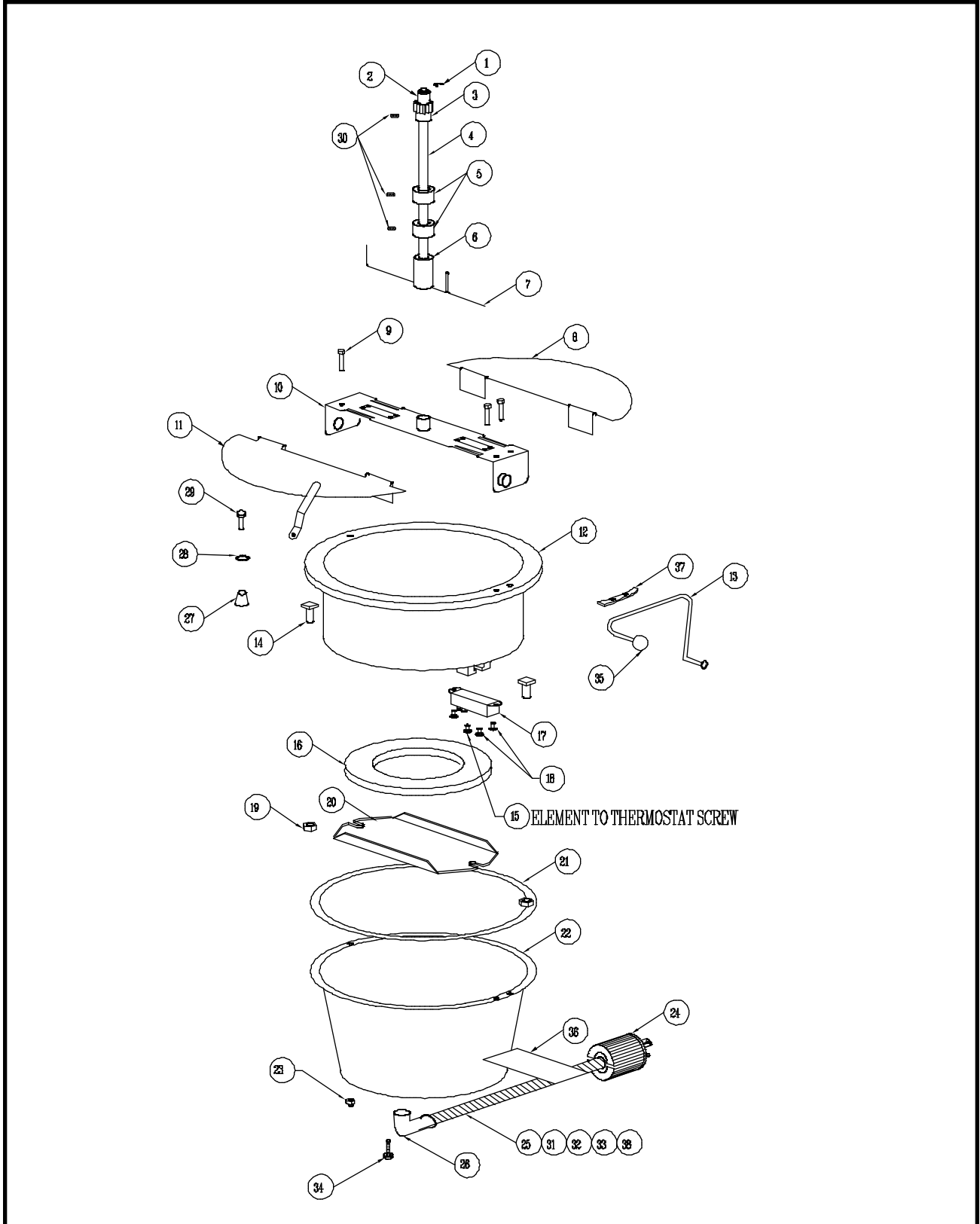
PARTS LIST – HANGER ASSEMBLY

Item No.	Part No.	Description
1-0	49336	Complete Hanger Assembly
1-1	41033	Red Pilot Light, 125V
1-2	41671	Reflector, Flood Light
1-3	41742	Set Screw, #10-32 x $\frac{3}{16}$ "
1-4	47047	Lamp Holder
1-5	47065	Gear Box w/ Bushing
1-6	47058	Flange Bushing
1-7	47059	Spur Gear
1-8	47201	Switch
1-9	49010	Front Hanger Arm
1-10	49009	Rear Hanger Arm
1-11	49480	Light Shield
1-12	47799	Light Shield Angle
1-13	49099	Switch Box
1-14	47038	Kettle Drive Motor, 120V
1-15	49116	Label, Switches
1-16	41452	Warning, Max Lamp, 75W
1-17	49330	Receptacle
	49341	Black Wire Assembly
	49342	White Wire Assembly
	49343	Green/Yellow Wire Assembly
1-18	41314	Screw, 10-24 x $\frac{3}{4}$ " Hx. Hd.
1-19	74146	#8-32 Hex Nut Eslok
1-20	89125	#8-32 x $\frac{3}{4}$ " Hex Head
1-21	74150	#8 Washer Internal Tooth
1-22	74149	#8-32 Hex Nut
1-23	74141	#8-32 x $\frac{3}{8}$ " Pan Head Phillips
1-24	87087	Label, Caution Hot
1-25	14821	Bolt, $\frac{1}{4}$ -20 x $\frac{1}{2}$ " Hex Hd
1-26	74133	$\frac{1}{4}$ -20 Hex Nut
1-27	47004	Pop Rivet, Closed End
1-28	49331	Motor Plate
1-29	49484	Motor Spacer
	49341	Black Wire Assembly (9 $\frac{1}{2}$ " Long) $\frac{1}{4}$ " Faston Piggyback
	49342	White Wire Assembly (9 $\frac{1}{2}$ " Long) $\frac{1}{4}$ " Faston #14-10 AWG
	49343	Green/Yellow Wire Assembly (5" Long) #10 x #12-10 Ring Terminal
	82349	#18 AWG Black Wire Assembly (6" Long) $\frac{1}{4}$ " Faston #18-14 AWG

PARTS LIST – CABINET ASSEMBLY

Item No.	Model #2388 Part No.	Model #2388CL Part No.	Description
2-0	49545	49546	Complete Cabinet Assembly
2-1	22038	22038	Lead-in Cord
2-2	49440	49440	Heat Element, 50 Watt
2-3	47328	47328	Glide Delrin Foot
2-4	47561	47561	Magnetic Catch
2-5	49591	49591	Door
2-6	76097	76097	Label, Unplug To Clean
2-7	49052	49052	Screw w/ Washer, Taptite
2-8	49519	49519	Front Glass (1/8" x 16 15/16" x 22 3/8")
2-9	49518	49518	Side Glass (1/8" x 14 15/16" x 22 3/8")
2-10	49506	49506	Bottom Corn Pan
2-11	49091	49091	Wire Duct
2-12	49452	49538	Top Pan
2-13	49145	49145	Drop Panel
2-14	49157	49539	Bottom Pan
2-15	49100	49100	Old Maid Pan
2-16	49425	49425	Strip Heater Bracket
2-17	49104	49104	Cover, Corner Cover
2-18	49105	49105	Corner Cover
2-19	49514	49514	Right Rear Corner Post
2-20	49513	49513	Left Rear Corner Post
2-21	49516	49516	Left Front Corner Post
2-22	49508	49508	Side Extrusion
2-23	74164	74164	Front Extrusion
2-24	76026	76026	Strain Relief, #SR-6P3-4
2-25	49158	49158	Decal, Front Glass
2-26	49123	49123	Crutch Tip
2-27	49515	49515	Right Front Corner Post
2-28	74169	74169	Left Female Hinge
2-29	49349	49349	Left Male Hinge
	74168	74168	Right Female Hinge
	41350	41350	Right Male Hinge
2-30	76135	76135	Tag, Power Cord
2-31	47702	47702	#8-32 Acorn Nut
2-32	74142	74142	#8-32 x 1/4" Pan Head Phillips
2-33	74141	74141	#8-32 x 3/8" Pan Head Phillips
2-34	74149	74149	#8-32 Hex Nut
2-35	74150	74150	#8 Internal Tooth Washer
2-36	47663	47663	Label, 6 Steps To Pop
2-37	74141	74141	Screw #8-32 x 3/8" Brown
2-38	75267	75267	Tee Bolt
2-39	47120	47120	Knob
	46617	46617	#18 Ga. TEW Wire, Red (45" Long)
	46619	46619	#18 Ga. TEW Wire, Green (45" Long)
	49117	49117	#16 Ga. TEW Wire, White (45" Long)
	49118	49118	#16 Ga. TEW Wire, Black (45" Long)

KETTLE ASSEMBLY



PARTS LIST – KETTLE ASSEMBLY

Item No.	Part No.	Description
	49548	8 Oz. Kettle Complete
	49550	8 Oz. Lid & Agitator Assembly
	49549	8 Oz. Kettle Bottom Only, 120 Volt
1	47107	C-Ring
2	47106	Needle Bearing
3	47059	Spur Gear
4	49437	Agitator Shaft Assembly
5	46649	Set Collar
6	49013	Agitator Weight
7	49011	Stir Rod
8	49016	Rear Kettle Lid
9	89125	Screw, #8-32 x $\frac{3}{4}$ " Hex Hd.
10	49553	Crossbar Assembly
11	49017	Front Lid with Lifter
12	49527	Kettle Welded Assembly
13	49025	Dump Handle
14	49446	Bolt, $\frac{5}{16}$ -18 x $\frac{5}{8}$ " Square Hd.
15	47466	Screw, 6-32 x $\frac{3}{8}$ " St. Stl.
16	49529	Heat Element, 120V, 1125W
17	47676	Thermostat Kettle
18	49136	Screw, #6-32 x $\frac{3}{16}$ " Pan Hd. Ms.
19	49317	$\frac{5}{16}$ -18 Serrated Lock Nut
20	49547	Retainer, Tubular Element
21	49368	Kettle Gasket
22	49522	Kettle Shell
23	47702	Acorn Nut, #8-32
24	49329	Kettle Plug
25	77079-16	Flexible Conduit
26	46241	90 Degree Connector
	49328	Kettle Lead-in Cord Assembly
27	47120	Knob, Lid Lifter
28	74150	#8 Lock Washer
29	87210	Screw, #8-32 x $\frac{3}{8}$ "
30	41742	Set Screw, #10-32 x $\frac{3}{16}$ "
31	49086	Red Kettle Wire Assembly
32	49087	White Kettle Wire Assembly
33	49159	Green Kettle Wire Assembly
34	49177	Screw, #8-32 x $\frac{3}{4}$ " Hex Head
35	47110	Knob, Dump Handle
36	49350	Caution Label
37	49362	Dump Handle Spacer
38	77080	Bushing, Conduit

WARRANTY

WE WARRANT to the original purchaser the Gold Medal equipment sold by us to be free from defects in material or workmanship under normal use and service. Our obligation under this warranty shall be limited to the repair or replacement of any defective part for a period of six (6) months from the date of sale to the Original Purchaser with regard to labor and two (2) years with regard to parts and does not cover damage to the equipment caused by accident, alteration, improper use, voltage, abuse, or failure to follow instructions.

THIS WARRANTY IS IN LIEU OF ALL OTHER WARRANTIES EXPRESSED OR IMPLIED, AND OF ALL OTHER OBLIGATIONS OR LIABILITIES ON OUR PART, INCLUDING THE IMPLIED WARRANTY OF MERCHANTABILITY. THERE ARE NO WARRANTIES WHICH EXTEND BEYOND THE DESCRIPTION ON THE FACE HEREOF. We neither assume, nor authorize any other person to assume for us, any other obligation or liability in connection with the sale of said GOLD MEDAL equipment or any part thereof.

The term "Original Purchaser" as used in this warranty shall be deemed to mean that person, firm, association, or corporation who was billed by the GOLD MEDAL PRODUCTS COMPANY, or their authorized distributor for the equipment.

THIS WARRANTY HAS NO EFFECT AND IS VOID UNLESS THE ORIGINAL PURCHASER FIRST CALLS GOLD MEDAL PRODUCTS COMPANY AT 1-800-428-2676 TO DISCUSS WITH OUR SERVICE REPRESENTATIVE THE EQUIPMENT PROBLEM, AND, IF NECESSARY, FOR INSTRUCTIONS CONCERNING THE REPAIR OR REPLACEMENT OF PARTS.

NOTE: This equipment is manufactured and sold for commercial use only.



GOLD MEDAL PRODUCTS COMPANY
10700 Medallion Drive
Cincinnati, Ohio 45241-4807 USA