

P-60 and 60 Special

Part No. 49064
Revised June 1996

Popcorn Machine Instruction Manual

Model #1866

Model #2085 and Model #2086

Model #2656





 **GOLD MEDAL**®


FUNFOOD EQUIPMENT & SUPPLIES


Cincinnati, OH 45241-4807 USA


SAFETY PRECAUTIONS

	⚠ CAUTION
	This equipment is designed and sold for commercial use only. This equipment is not to be used by the consumer in home use. Do not allow direct contact of this equipment by the public when used in food service locations. Only personnel trained and experienced in the equipment operation may operate this equipment. Carefully read all installation instructions before operating the equipment.

	⚠ WARNING
	Always wear safety glasses when servicing this equipment.

	⚠ WARNING
	To avoid serious burns, do NOT touch the kettle while it is hot.

	⚠ WARNING
	Any alterations to this equipment will void the warranty and may cause a dangerous situation. NEVER make alterations to the equipment. Make sure all machine switches are in the OFF position before plugging the equipment into a receptacle.

	⚠ DANGER
	Machine must be properly grounded to prevent electrical shock to personnel. Do NOT immerse the kettle, warmer, or any other part of this equipment in water. Always unplug the equipment before cleaning or servicing.

NOTE

The information, specifications and illustrations contained in this manual represent the latest data available at time of publication. Right is reserved to make changes as required at the discretion of Gold Medal Products Company without notice.

INSTALLATION INSTRUCTIONS

INSTALLATION

Your new 60 Special or P-60 Popcorn Machine is completely assembled. Remove all packing material and tape before starting operation.

OPERATING INSTRUCTIONS

CONTROLS AND THEIR FUNCTIONS

There are three switches on the popper.

LIGHT AND WARMER SWITCH

Turns on the heat to the bottom corn pan and heat light.

KETTLE MOTOR SWITCH

Turns on the motor which drives kettle agitator shaft.

KETTLE HEAT SWITCH

Turns on the heat element

AMOUNT OF POPCORN AND OIL

Your new popper is equipped with a six ounce (177 ml) corn measure cup. We recommend flavored and colored coconut oil. Popcorn popped in coconut oil stays fresh longer. Coconut oil does not leave black deposits in your kettle like other oils.

Corn charge - 6 oz. (177 ml)

Oil charge - 1.6 to 2.0 oz. (60 ml)


Flavacol - 1 tablespoon (8 cc)

POPPING INSTRUCTIONS



1. Turn KETTLE HEAT and KETTLE MOTOR switch ON.
2. Make test pop with 3 kernels of corn and 1 oz. (30 ml) of oil.
3. Load pre-measured popcorn and oil pouch into kettle.
4. When corn has popped, dump kettle.
5. Repeat cycle starting with Item #3; always pop 3-5 batches for best popcorn.




CARE AND CLEANING

	<p style="text-align: center;">⚠ DANGER</p> <p>Unplug your machine before cleaning glass panel and case. Never immerse the kettle in water. This will ruin the electrical components and automatically void the guarantee.</p>
---	---

Each time you finish a series of poppings, wipe the outside of the kettle with a soft cloth to remove any oil drippage on the outside of the kettle. After you finish popping for the day, allow kettle to cool until it is not too hot to handle, but still warm. Unplug kettle and remove it from the machine. With a cloth, wipe out the inside of the kettle, kettle lid, crossbar, outside and underneath of the kettle.

Cleaning the cabinet of your machine is easy. Take a clean cloth and wipe excess grease from the glass. Wipe the outside of the machine also. **NOTE:** Never use a glass or plastic cleaner that contains ammonia. It will crack the plastic on the machine.

MAINTENANCE INSTRUCTIONS

	<p style="text-align: center;">⚠ CAUTION</p> <p>THE FOLLOWING SECTIONS OF THIS MANUAL ARE INTENDED ONLY FOR QUALIFIED SERVICE PERSONNEL WHO ARE FAMILIAR WITH ELECTRICAL EQUIPMENT. THESE ARE NOT INTENDED FOR THE OPERATOR.</p>
	<p style="text-align: center;">⚠ WARNING</p> <p>Adequate eye protection must be used when servicing this equipment to prevent the possibility of injury.</p>
	<p style="text-align: center;">⚠ DANGER</p> <p>Do NOT immerse the kettle, warmer, or any other part of this equipment in water. Unplug your machine before servicing.</p>

ACCESSORIES

Description	Part Number
Shipping Carton	49026
Corn Measure Cup	49049
A-Scoop	47145
Flavacol Cup	47678
Popper Cleaning Towel	47660

ORDERING SPARE PARTS

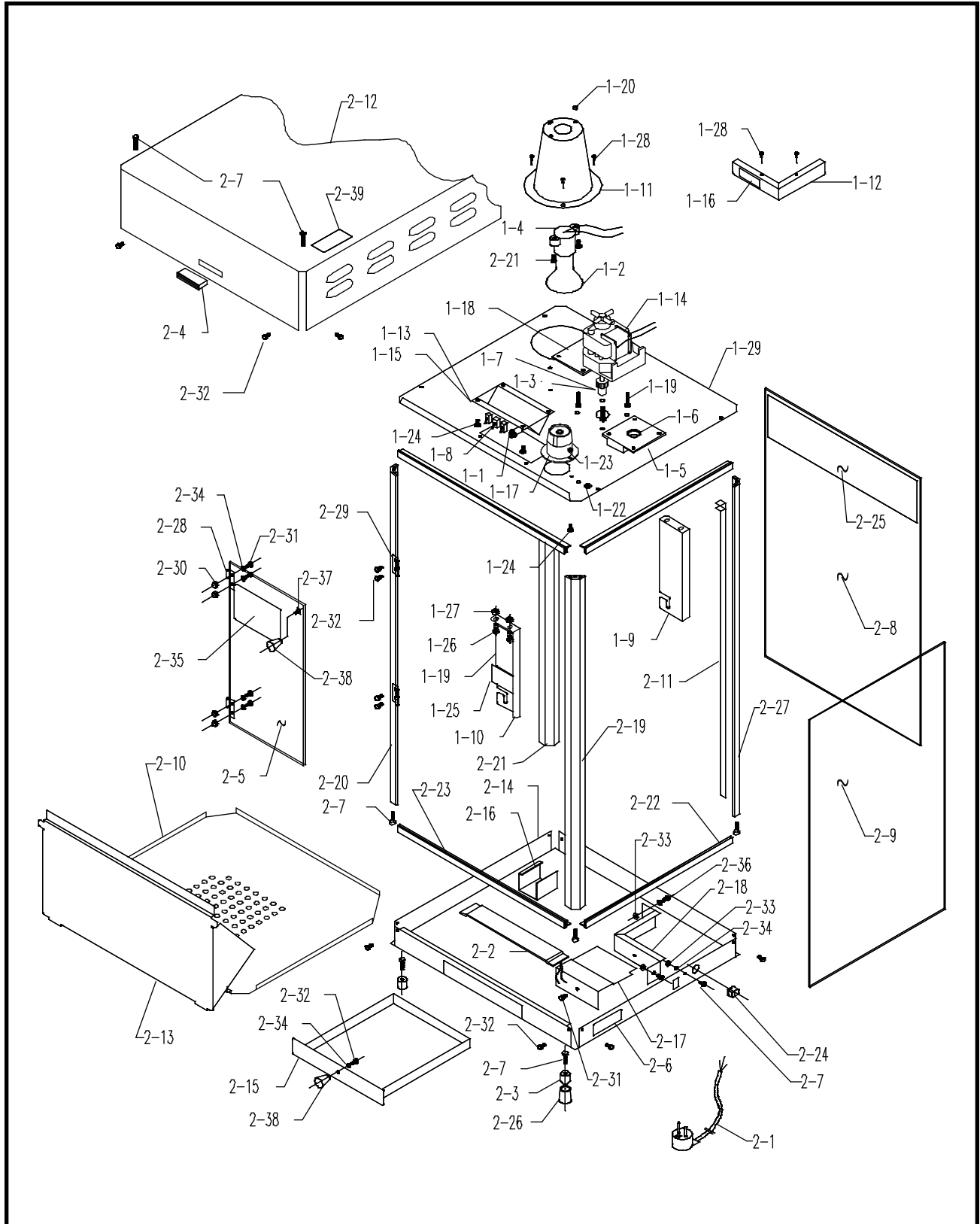
1. Identify the desired part by checking it against the photos, illustrations, and/or the parts list.
2. When ordering, please include part number, part name, and quantity desired.
3. Please include your model name and machine serial number (located on the machine nameplate) with your order.
4. Address all parts orders to:

Parts Department
Gold Medal Products Co.
10700 Medallion Drive
Cincinnati, Ohio 45241-4807

or, place orders at:

(513) 769-7676
Fax: (513) 769-8500
E-mail: goldme19@eos.net

60 SPECIAL & P-60 POPPER ASSEMBLY



PARTS LIST - HANGER ASSEMBLY

Item No.	Part No.	Description
1-0	49336	Complete Hanger Assembly
1-1	41033	Red Pilot Light
1-2	41671	Reflector Flood Light
1-3	41742	Set Screw #10-32 x $\frac{3}{16}$ "
	46544	$\frac{1}{4}$ " Faston #18-16 AWG.
	47004	Pop Rivet, Closed End
1-4	47047	Lamp Holder
1-5	47065	Gear Box w/ Bushing
1-6	47058	Flange Bushing
	47153	$\frac{1}{4}$ " Faston #14-10 AWG.
1-7	47059	Spur Gear
1-8	47201	Switch
1-9	49010	Front Hanger Arm
1-10	49009	Rear Hanger Arm
1-11	49480	Light Shield
1-12	47799	Light Shield Angle
1-13	49099	Switch Box
1-14	47038	Kettle Drive Motor
1-15	49116	Label, Switches
	49133	Dead-end Splice
	49130	Nut, Flexlock 10-24 THD.
1-16	41452	Warning, Max Lamp 75W
1-17	49330	Receptacle Assembly
	49341	Black Receptacle Wire Assembly
	49342	White Receptacle Wire Assembly
	49343	Green Receptacle Wire Assembly
1-18	49484	Motor Spacer
1-19	49322	#10-24 x 1" Hex Machine Screw
1-20	74146	Hex Nut #8-32 Eslok
1-21	89125	Screw #8-32 x $\frac{1}{2}$ " Panhead
1-22	74150	Washer #8 Internal Tooth
1-23	74149	Hex Nut #8-32
1-24	74141	Screw #8-32 x $\frac{3}{8}$ " RD HD PH
1-25	87087	Label, Caution Hot
1-26	14821	Bolt $\frac{1}{4}$ -20 x $\frac{1}{2}$ " Hex HD
1-27	74133	$\frac{1}{4}$ -20 Hex Nut
1-28	47001	Pop Rivet
1-29	49331	Motor Plate

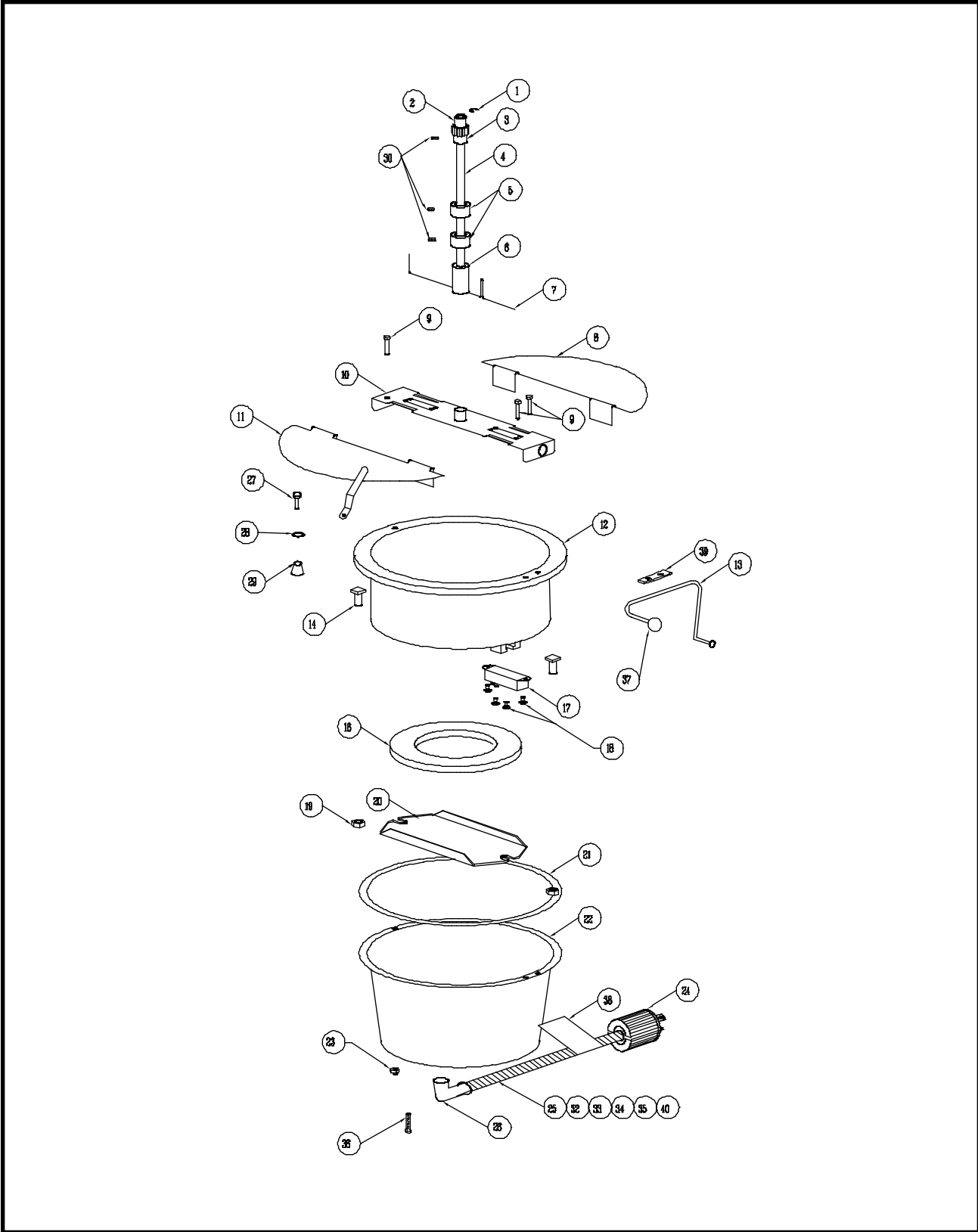
PARTS LIST - CABINET ASSEMBLY

Item No.	Model #2085 Part No.	Model #2085ST Part No.	Model #2086 Part No.	Description
2-0	49155	49155ST	49114	Complete Cabinet Assembly
2-1	22038	22038	22038	Lead-In Cord
2-2	49440	49440	49440	Heat Element 50 Watt
2-3	47328	47328	47328	Glide Delrin Foot
2-4	47561	47561	47561	Magnetic Catch
2-5	49020	49020	49020	Door
2-6	76097	76097	76097	Label, Unplug to Clean
2-7	49052	49052	49052	Screw w/ Washer Taptite
2-8	49058	49058	49058	Front Glass
2-9	49059	49059	49059	Side Glass
2-10	49146	49146	49146	Bottom Corn Pan
2-11	49091	49091	49091	Wire Duct
2-12	49452	49453	49450	Top Pan - O/S
2-13	49145	49145	49145	Drop Panel
2-14	49157	49166	49097	Bottom Pan
2-15	49100	49100	49100	Old Maid Pan
2-16	49425	49425	49425	Strip Heater Bracket
2-17	49104	49104	49104	Cover, Corner Cover
2-18	49105	49105	49105	Corner Cover
2-19	49464	49464	49460	Right Rear Corner Post
2-20	49465	49465	49461	Left Rear Corner Post
2-21	49467	49467	49462	Left Front Corner Post
2-22	40068	40068	49109	Side Extrusion
2-23	49004	49004	49110	Front Extrusion
2-24	76026	76026	76026	Strain Relief #SR-6P3-4
2-25	49158	49158	77056	Decal, Front Glass
2-26	49123	49123	49123	Crutch Tip
2-27	49466	49466	49150	Right Front Corner Post
2-28	49138	49138	49138	Left Female Hinge
2-29	49141	49141	49141	Left Male Hinge
	49139	49139	49139	Right Female Hinge
	49140	49140	49140	Right Male Hinge
2-30	47702	47702	47702	#8-32 Acorn Nut
2-31	74142	74142	74142	#8-32 x 1/4" Panhead Phillips
2-32	74141	74141	74141	#8-32 x 3/8" Panhead Phillips
2-33	74149	74149	74149	#8-32 Hex Nut
2-34	74150	74150	74150	#8 Internal Tooth Washer
2-35	47663	47663	47663	Label, 6 Steps to Pop
2-36	74141	74141	49124	Screw #8-32 x 3/8" Brown
2-37	75267	75267	75267	Tee Bolt
2-38	47120	47120	47120	Knob

PARTS LIST - CABINET ASSEMBLY

Item No.	Model #1866 Part No.	Model #2656 Part No.	Description
2-0	49601	49589	Complete Cabinet Assembly, 120V
2-1	22038	22038	Lead-In Cord, 120V
2-2	49440	49440	Heat Element 50 Watt, 120V
2-3	47328	47328	Glide Delrin Foot
2-4	47561	47561	Magnetic Catch
2-5	49591	49591	Door
2-6	76097	76097	Label, Unplug to Clean
2-7	49052	49052	Screw w/ Washer Taptite
2-8	49519	49519	Front Glass
2-9	49518	49518	Side Glass
2-10	49506	59506	Bottom Corn Pan
2-11	49091	49091	Wire Duct
2-12	49093	49156	Top Pan
2-13	49145	49145	Drop Panel
2-14	49097	49157	Bottom Pan
2-15	49100	49100	Old Maid Pan
2-16	49425	49425	Strip Heater Bracket
2-17	49104	49104	Cover, Corner Cover
2-18	49105	49105	Corner Cover
2-19	49605	49514	Right Rear Corner Post
2-20	49603	49513	Left Rear Corner Post
2-21	49607	49516	Left Front Corner Post
2-22	49602	49508	Side Extrusion
2-23	49608	49164	Front Extrusion
2-24	76026	76026	Strain Relief #SR-6P3-4
2-25	77056	49158	Decal, Front Glass
2-26	49123	49123	Crutch Tip
2-27	49606	49515	Right Front Corner Post
2-28	74169	74169	Left Female Hinge
2-29	41350	41350	Left Male Hinge
	74168	74168	Right Female Hinge
	41349	41349	Right Male Hinge
2-30	47702	47702	#8-32 Acorn Nut
2-31	74142	74142	#8-32 x 1/4" Pan Head Phillips
2-32	74141	74141	#8-32 x 3/8" Pan Head Phillips
2-33	74149	74149	#8-32 Hex Nut
2-34	74150	74150	#8 Internal Tooth Washer
2-35	47663	47663	Label, 6 Steps to Pop
2-36	49124	74141	Screw #8-32 x 3/8" Brown
2-37	75267	75267	Tee Bolt
2-38	47120	47120	Knob

6 oz. KETTLE ASSEMBLY



PARTS LIST - 6 oz. KETTLE ASSEMBLY

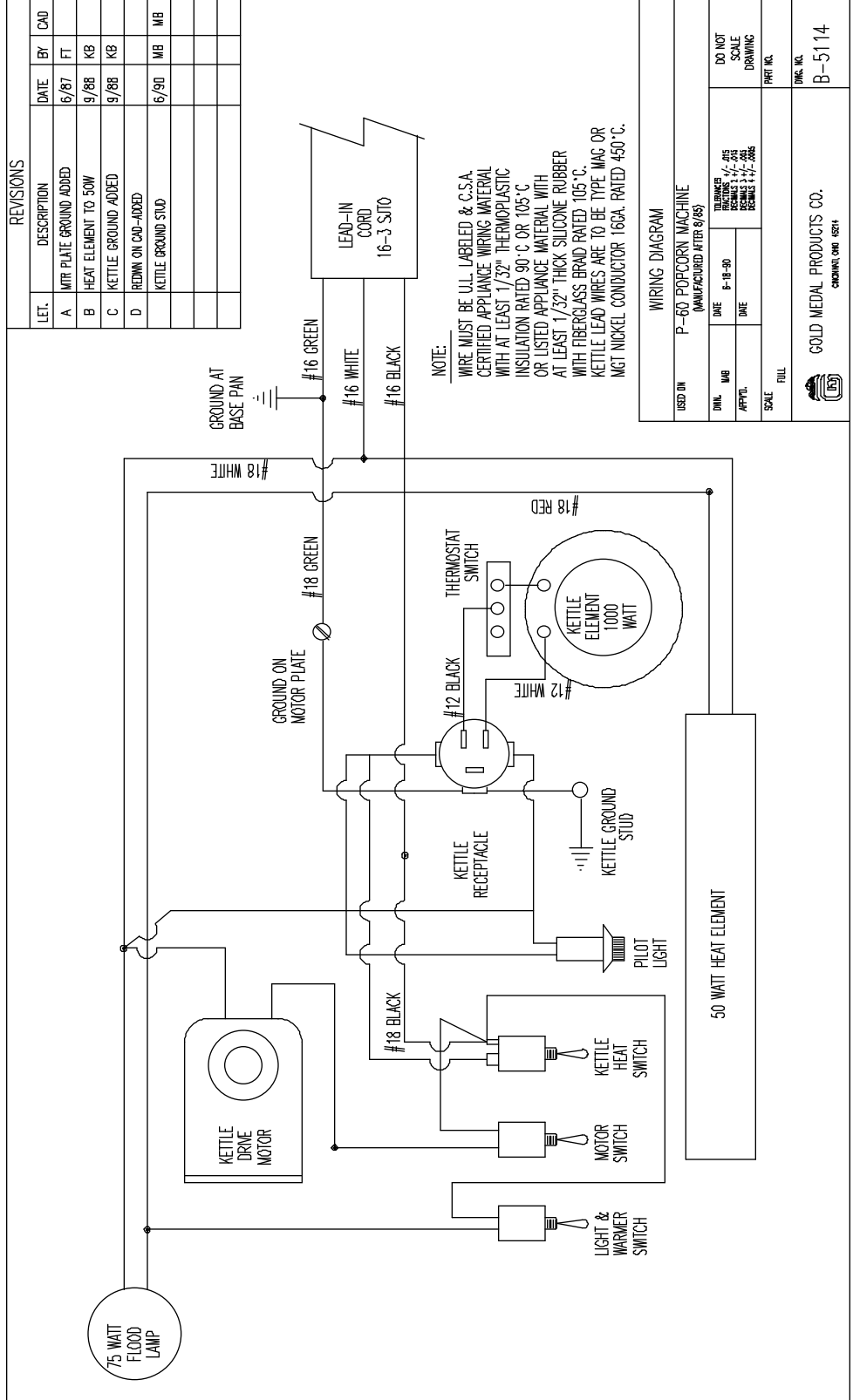
Item No.	Part No.	Description
	49326	6 Oz. Kettle Complete
	49065	6 Oz. Lid & Agitator Assembly
	49327	6 Oz. Kettle Bottom Only
1	47107	C - Ring
2	47106	Needle Bearing
3	47059	Spur Gear
4	49014	Agitator Shaft Assembly
5	46649	Set Collar
6	49013	Agitator Weight
7	49011	Stir Rod
8	49016	Rear Kettle Lid
9	89125	Screw #8-32 x 3/4" Hex HD
10	49030	Crossbar Assembly
11	49017	Front Lid With Lifter
12	49312	Kettle Welded Assembly
13	49314	Dump Handle RH
14	49446	Bolt 5/16-18 x 5/8" Square HD
15	47676	Primary Thermostat
16	49081	Heat Element 1000W
17		
18	49136	Screw #6-32 x 3/16" Pan HD MS
19	49317	5/16-18 Serrated Lock Nut
20	49310	Element Retainer Bracket
21	49368	Kettle Gasket
22	49316	Kettle Shell
23	47702	Acorn Nut #8-32
24	49329	Kettle Plug
25	77079-16	Flexible Conduit
26	46241	90 Degree Connector
	49328	Kettle Lead-In Cord Assembly
27	47120	Knob, Lid Lifter
28	74150	#8 Lock Washer
29	87210	Screw #8-32 x 3/8"
30	41742	Set Screw #8-32 x 3/8"
33	49086	Red Kettle Wire Assembly
34	49087	White Kettle Wire Assembly
35	49159	Green Kettle Wire Assembly
36	49177	Screw #8-32 x 3/4" Hex HD
37	47110	Knob, Dump Handle
38	49350	Caution Label
39	49362	Dump Handle Spacer
40	77080	Bushing, Conduit

PARTS LIST - 6 oz. KETTLE ASSEMBLY

Models #1866 & #2656

Item No.	Part No.	Description
	49434	6 Oz. Kettle Complete
1	47107	C-Ring
2	47106	Needle Bearing
3	47059	Spur Gear
4	49437	Agitator Shaft Assembly
5	46649	Set Collar
6	49013	Agitator Weight
7	49011	Stir Rod
8	49016	Rear Kettle Lid
9	89125	Screw #8-32 x 3/4" Hex Hd
10	49471	Crossbar Assembly
11	49017	Front Lid with Lifter
12	49432	Kettle Welded Assembly
13	49314	Dump Handle R.H.
14	49446	Bolt 5/16-18 x 5/8" Square Hd
15	49474	Secondary Thermostat
16	49081	Heat Element 1000W
17	47676	Primary Thermostat
18	49136	Screw #6-32 x 3/16" Pan Hd Ms
19	49317	5/16-18 Serrated Lock Nut
20	49310	Element Retainer Bracket
21	49368	Kettle Gasket
22	49431	Kettle Shell
23	47702	Acorn Nut #8-32
24	49329	Kettle Plug
25	77079-16	Flexible Conduit
26	46241	90 Degree Connector
	49328	Kettle Lead-in Cord Assembly
27	87210	Screw #8-32 x 3/8"
28	74150	#8 Lock Washer
29	47120	Knob, Lid Lifter

ELECTRICAL SCHEMATIC



WARRANTY

WE WARRANT to the original purchaser the Gold Medal equipment sold by us to be free from defects in material or workmanship under normal use and service. Our obligation under this warranty shall be limited to the repair or replacement of any defective part for a period of six (6) months from the date of sale to the Original Purchaser with regard to labor and two (2) years with regard to parts and does not cover damage to the equipment caused by accident, alteration, improper use, voltage, abuse, or failure to follow instructions.

THIS WARRANTY IS IN LIEU OF ALL OTHER WARRANTIES EXPRESSED OR IMPLIED, AND OF ALL OTHER OBLIGATIONS OR LIABILITIES ON OUR PART, INCLUDING THE IMPLIED WARRANTY OF MERCHANTABILITY. THERE ARE NO WARRANTIES WHICH EXTEND BEYOND THE DESCRIPTION ON THE FACE HEREOF. We neither assume, nor authorize any other person to assume for us, any other obligation or liability in connection with the sale of said GOLD MEDAL equipment or any part thereof.

The term "Original Purchaser" as used in this warranty shall be deemed to mean that person, firm, association, or corporation who was billed by the GOLD MEDAL PRODUCTS COMPANY, or their authorized distributor for the equipment.

THIS WARRANTY HAS NO EFFECT AND IS VOID UNLESS THE ORIGINAL PURCHASER FIRST CALLS GOLD MEDAL PRODUCTS COMPANY AT 1-800-428-2676 TO DISCUSS WITH OUR SERVICE REPRESENTATIVE THE EQUIPMENT PROBLEM, AND, IF NECESSARY, FOR INSTRUCTIONS CONCERNING THE REPAIR OR REPLACEMENT OF PARTS.

NOTE: This equipment is manufactured and sold for commercial use only.



GOLD MEDAL PRODUCTS COMPANY
10700 Medallion Drive
Cincinnati, Ohio 45241-4807 USA