

Citation, Whiz Bang & Pop-A-Lot

Part No. 47699
Revised June 1996

Instruction Manual

Model #2001 and #2003

Model #2005 and #2007

Model #2102 and #2119





 **GOLD MEDAL**®


FUNFOOD EQUIPMENT & SUPPLIES


Cincinnati, OH 45241-4807 USA


SAFETY PRECAUTIONS

	⚠ CAUTION
	This equipment is designed and sold for commercial use only. This equipment is not to be used by the consumer in home use. Do not allow direct contact of this equipment by the public when used in food service locations. Only personnel trained and experienced in the equipment operation may operate this equipment. Carefully read all installation instructions before operating the equipment.

	⚠ WARNING
	Always wear safety glasses when servicing this equipment.

	⚠ WARNING
	To avoid serious burns, do NOT touch the kettle while it is hot.

	⚠ WARNING
	Any alterations to this equipment will void the warranty and may cause a dangerous situation. NEVER make alterations to the equipment. Make sure all machine switches are in the OFF position before plugging the equipment into a receptacle.

	⚠ DANGER
	Machine must be properly grounded to prevent electrical shock to personnel. Do NOT immerse the kettle, warmer, or any other part of this equipment in water. Always unplug the equipment before cleaning or servicing.

NOTE

The information, specifications and illustrations contained in this manual represent the latest data available at time of publication. Right is reserved to make changes as required at the discretion of Gold Medal Products Company without notice.

INSTALLATION INSTRUCTIONS

This Instruction Manual and parts list will cover all poppers listed on the front cover as these are so similar in construction and operation.

There is a common parts list beginning on page xx. When using this parts list, refer to the column which lists your machine and obtain all your part numbers from this column. If your machine serial number does not agree with those given with the parts list, you must refer to the previous instruction manual. This manual covers machines manufactured after December 1, 1974 ONLY.

CHECKING SHIPMENT

Your new popper is completely assembled, ready to operate. Remove the corrugated carton from the machine. Check thoroughly for any damage which may have occurred in transit. Claims should be filed immediately with the transportation company.

Remove cardboard packing from the kettle assembly and bottom tray. Remove tape from gear on the agitator shaft and gear on the drive motor. Remove tape from base socket of heat lamp and bottom corn pan. Remove all other tape and stickers now, they get harder to remove with each passing day.

ELECTRICAL REQUIREMENTS

Standard voltages for all the popcorn machines covered by this manual is 120 volt, 60 cycle, single phase, A.C. current. Your new popper is furnished with the proper attachment plug for carrying the current, and this plug should always be used.

A wall receptacle and cover plate is shipped with each machine requiring 30 Amps. This receptacle will accept the attachment plug on the popper and must be used. For your own safety, have a qualified electrician wire this wall receptacle, and instruct him to follow the diagram shown on page 4.

Amperage and wattage requirements for each machine are shown below. Your electrician must furnish sufficient current for proper operation of your machine. We recommend each popper be fused on a line by itself.

Machine Name	Electrical Requirements	
	Wattage	Size Current
Pop-A-Lot	1800 Watts	15 Amp
Whiz Bang	2400 Watts	20 Amp
Deluxe Whiz Bang	2800 Watts	30 Amp
Citation	2900 Watts	30 Amp
Deluxe Citation	3300 Watts	30 Amp
Antique Citation w/ Pump	3300 Watts w/ Pump	30 Amp w/ Pump

FLOOR MODELS ONLY

On floor model machines, the base is shipped in a separate carton. Unpack the base and remove all packing material and tape. Remove the old maid pan from the popper. Untape the lead-in cord and make sure it will hang free when the popper is lifted.

Lift the popper and set it on the base, making sure the popper lead-in cord is dangling inside the base before lowering the popper into place. Run the lead-in cord through the hole in the

CIRCUIT BREAKER

All the poppers covered by this manual have a 15 amp. circuit breaker mounted on the switch panel. This circuit breaker protects the entire machine excluding the kettle. If this circuit breaker kicks out continually, check for loose wires, short circuit, etc.

EXTENSION CORDS

Extension cords **SHOULD NOT BE USED**. You should have a properly sized outlet right at the machine. Fires can result from a light duty extension cord that overheats due to overload. You need a No. 12 wire for these machines, and extension cords of this heavy gauge are not readily available. If you go over 25 feet from outlet, a No. 10 wire would be required. And the extension must have a ground wire, properly connected, or you lose the safety features built into the machine.

FINAL PREPARATIONS

Your popper was adjusted, inspected and tested before it left the factory, and should be ready to operate immediately.

On the Antique Citation poppers equipped with a bucket pump and the Deluxe Citation poppers, connect the oil line of the bucket seasoning pump to the machine. The electrical line is connected by plugging in a six pin connector. The oil line is connected by snapping together a quick disconnect coupling. Make sure the coupling is engaged properly or oil will leak.

Wipe all exposed surfaces with a damp cloth to remove fingerprints, smears, etc. which may have occurred during installation.

OPERATING INSTRUCTIONS

CONTROLS AND THEIR FUNCTIONS

LIGHT SWITCH

Flipping the lever of this switch to the "ON" position lights the bulbs in the popper dome and the heat lamp in the case. (Heat lamp only on Antique Citation).

KETTLE MOTOR AND EXHAUST SWITCH

Flipping the lever of this switch to the "ON" position starts the agitator in the kettle and the exhaust blower in the popper dome. The purpose of this agitator is to keep the raw kernels on the bottom of the kettle and to prevent the popped corn from jamming.

WARMER SWITCH

Flipping the lever of this switch to the "ON" position energizes a blower-warmer system in the Deluxe Citation, Citation and Deluxe Whiz Bang. On the Whiz Bang, Antique Citation and Pop-a-Lot, this switch energizes two strip heaters on the underside of the corn pan. These systems will freshen any pre-popped corn you may have left over, as well as keep freshly popped corn warm and fresh.

"KETTLE HEAT" SWITCH

Moving the lever of this switch to the "ON" position energizes the heating elements or element on the bottom of the kettle. When this switch is in the "ON" position, the red pilot light next to it will be "ON".

NOTE

The following controls are only on the Antique Citation and Deluxe Citation poppers equipped with a bucket seasoning pump.

"OIL SYSTEM MASTER" SWITCH (Deluxe Antique Citations only)

Moving the lever of this switch to the "ON" position energizes the electrical circuit of the bucket seasoning pump. It also supplies the heat element of the pump with 40 watts of electrical power. This "LOW HEAT" will usually keep the oil liquid at average room temperatures. When this switch is in the "ON" position, the red pilot light above it will be "ON".

"OIL PUMP" BUTTON

After the oil has melted, pressing the red "OIL PUMP" button for a few seconds until the pilot light comes "ON", will start an automatic pumping cycle, which delivers the proper amount of oil to the kettle. The oil pump pilot light will remain on while the automatic pumping cycle takes place.

TIMER SWITCH

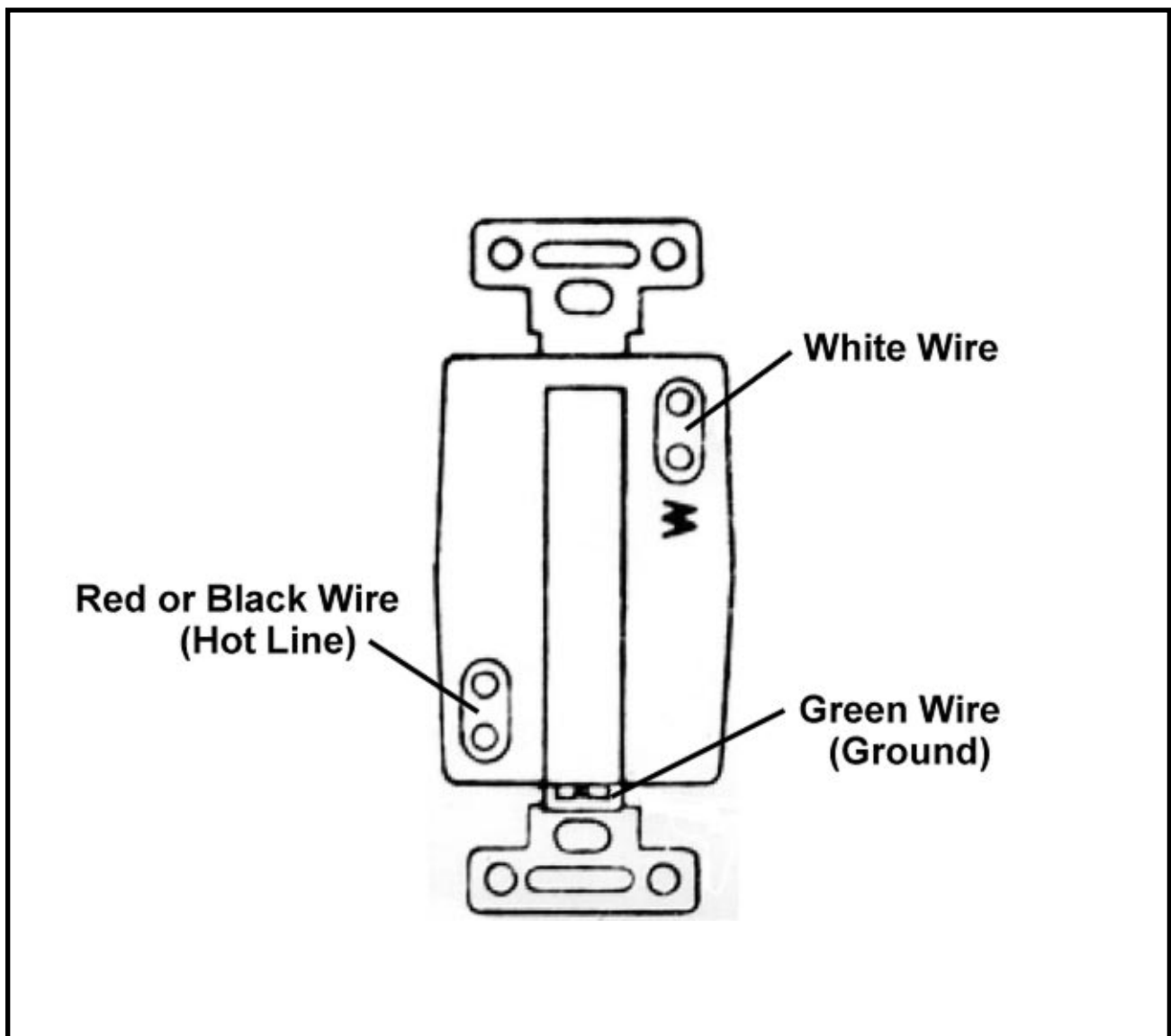
This switch on the bucket seasoning pump control box determines the length of time the heat element of the bucket pump is at "HIGH HEAT". This "HIGH HEAT" is produced by 500 watts of electrical power. Its purpose is to melt the oil quickly. Whenever the timer switch is "ON", the pilot light above it will be "ON". The maximum time on the timer switch dial is thirty minutes. This is to prevent the possibility of overheating the oil.

DIMMER SWITCH (on Antique Citation only)


Pushing the knob of this switch will light the 15 small bulbs on the top frame. Rotate the knob to control the intensity of the lights. To turn off lights, push knob.

WIRING 20 & 30 Amp. RECEPTACLE

(Supplied with Citations, Whiz Bang & Pop-a-Lot)



POPPING CORN (Machines without Bucket Seasoning Pump)

	⚠ WARNING
	To avoid serious burns, do NOT touch kettle while it is hot!

1. Turn "KETTLE HEAT" switch and "KETTLE MOTOR & EXHAUST" switch "ON".
2. "TEST POP" a kettle of corn.
 - A. Place one-fourth of the proper oil measure in the kettle along with three kernels of unpopped corn.
 - B. As soon as the three kernels pop, place the balance of the oil, plus the measured amount of corn and Flavacol in the kettle. Close the lid.
3. After the corn has finished popping, rotate the handle to dump the popcorn still in the kettle. There is a stop to prevent the kettle from being rotated too far. Return the kettle to the upright position.
4. Repeat the cycle starting with Item 2 (eliminate the "Three Kernel Test Pop" step) and put a full charge of ingredients in at the same time to pop another kettle of corn. **NOTE:** Always pop 4-5 batches of corn in a row. The quality and flavor are both better on batches two through five than on the initial batch.
5. On the final kettle of corn, it is a good idea to turn the "KETTLE HEAT" switch "OFF", just as the lids are forced open by the popping corn. This saves electricity, since there is plenty of heat in the kettle, and also helps eliminate smoke and odor after you have stopped popping.

When you are finished popping, make sure "KETTLE HEAT" and "KETTLE MOTOR & EXHAUST" switches are turned "OFF". **NEVER** leave the heat on when you are not popping. If you place oil in a hot kettle, remember to finish that popping cycle, or turn off the kettle. Exposure to heat starts to break down color and flavor of popcorn oils.

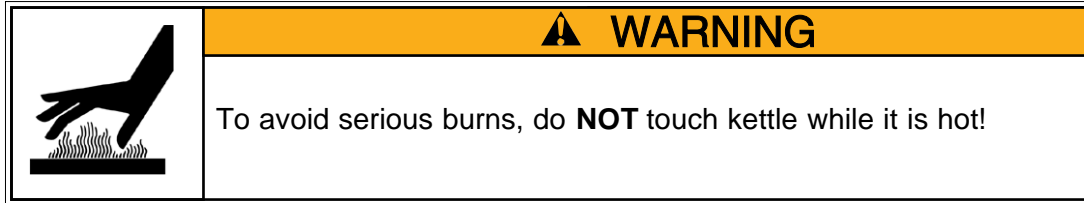
Always wipe the complete exterior of your kettle with a heavy cloth immediately after you finish popping and the kettle has cooled. Oil drippings will come off quite easily at this time, but will burn on and stain if not removed. The sales appeal of a clean and gleaming machine must not be overlooked. Your customers expect it of you.

6. Turn all switches "OFF" at the close of operations.

Machine	Corn Charge	Oil Charge	Flavacol Seasoning Salt
Pop-a-Lot	8 oz.	1/3 cup (2 2/3 oz.)	1 teaspoon
Whiz Bang	12 oz.	1/2 cup (4 oz.)	1 1/2 - 2 teaspoons
Citation	14 oz.	4-5 oz.	1 Tablespoon

Your Gold Medal popper comes complete with corn and oil measure cups, sized as close to rated capacity of your machine as are commercially available. We recommend that you use a flavored and colored coconut oil, as popcorn popped in coconut oil stays fresher longer. Coconut oil does not leave the black deposits in your kettle like other oils.

POPPING CORN (Machines with Bucket Seasoning Pump)



1. Turn "LIGHT" switch and "WARMER" switch "ON".
2. Turn "OIL SYSTEM MASTER" switch "ON".
3. Set timer switch on the bucket seasoning pump control box for the desired HIGH HEAT melting time. The length of time you choose depends on the temperature of the oil. Colder oil takes longer to reach the 76° F; the melting point.

After you have melted the oil, the automatic low heat (energized by having the OIL SYSTEM MASTER switch "ON") will usually keep the oil liquid at most room temperatures. Coconut oil will congeal at temperatures below approximately 76° F. In cold areas, turn on the "HIGH HEAT" occasionally for about 5-10 minutes to keep the oil liquid.

4. Turn "KETTLE HEAT" switch "ON".
5. After the oil in the bucket has melted, and the "KETTLE HEAT" switch has been on for a couple of minutes, press the red oil pump button for a few seconds until the oil pump pilot light comes on. The proper amount of oil is automatically pumped into the kettle.
6. With the kettle lid open, watch the oil and when it appears it is getting up to heat, turn the "KETTLE MOTOR & EXHAUST" switch "ON". Pour in the premeasured corn and Flavacol. Close the lid.
7. After the corn has popped, turn the handle to dump the popcorn. There is a stop to prevent the kettle from being rotated too far.
8. Return the kettle to the upright position.
9. Repeat the cycle starting at Item 5, but put the corn and Flavacol in as soon as the oil is in the kettle to pop another kettle of corn.
10. On the final kettle of corn, it is a good idea to turn the "KETTLE HEAT" switch "OFF", just as the lids are forced open by the popping corn. This saves electricity, since there is plenty of heat in the kettle, and also helps eliminate smoke and odor after you have stopped popping.


When you are finished popping, make sure "KETTLE HEAT" and "KETTLE MOTOR & EXHAUST" switches are turned "OFF". **NEVER** leave the heat on when you are not popping. If you place oil in a hot kettle, remember to finish that popping cycle, or turn off the kettle. Exposure to heat starts to break down color and flavor of popcorn oils.

Always wipe the complete exterior of your kettle with a heavy cloth immediately after you finish popping and the kettle has cooled. Oil drippings will come off quite easily at this time, but will burn on and stain if not removed. The sales appeal of a clean and gleaming machine must not be overlooked. Your customers expect it of you.

11. Turn all switches "OFF" at the close of operations.

Machine	Corn Charge	Oil Charge	Flavacol Seasoning Salt
Citation	14 oz.	4-5 oz.	1 Tablespoon
Your Gold Medal popper comes complete with corn and oil measure cups, sized as close to rated capacity of your machine as are commercially available. We recommend that you use a flavored and colored coconut oil, as popcorn popped in coconut oil stays fresher longer. Coconut oil does not leave the black deposits in your kettle like other oils.			

CARE AND CLEANING

	<p style="text-align: center;">⚠ DANGER</p> <p>Disconnect main electrical power supply cord before cleaning to eliminate the possibility of electrical shock.</p>
---	--

GLASS PANEL AND CASE

A clean looking, well kept machine is one of the best ways of advertising your popcorn. Take a clean cloth and first wipe excess oil from the glass. Wipe the outside, too. Then, use any glass cleaner that is recommended for cutting grease (**NO** ammonia). We find a wax cleaner such as Johnson's Shine-Up to be good for cleaning the aluminum exterior of your machine.

If the aluminum becomes darkened, try our NEV'R DULL Magic Wadding Polish. This miracle product removes oxidation and makes aluminum really shine.

OLD MAID PAN

Empty the old maid pan and wipe clean daily or when it becomes filled.

CORN PAN

At least once a week, remove the corn pan from the machine by releasing the latches on each side and lifting up. On the Whiz Bang, Antique Citation, and Pop-a-Lot poppers, you should take apart the quick disconnects to the strip heaters under the corn pan before removing the corn pan. Wipe all small bits of corn, oil and salt from the entire pan. Pay special attention to the small holes in the pan on those models equipped with a blower-warmer.

BLOWER-WARMER UNIT (Citation, Deluxe Citation and Deluxe Whiz Bang only)

On these models, we recommend that you remove the corn pan each week and clean out all trash corn from the Blower-warmer assembly, as well as the frame of the machine. You must keep this Blower-warmer unit clean and free from trash corn for maximum efficiency and long motor life.

HEAT LAMP BULB & SHIELD

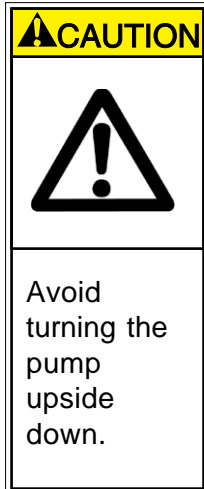
Remove the bulb and shield when they become soiled with oil and wash carefully. Make sure the bulb is completely dry before reinstalling.

EXHAUST FILTER

The purpose of the exhaust filter is to trap the hot oil from the popping operation, while allowing the steam and delicious aroma of the corn to pass. To do this efficiently, the filter must be kept clean. **NOTE:** This filter should be removed and washed in hot soapy water at least once a week.

Remember to remove all excess water from the filter before reinstalling. If filter is too clogged, soak it in Old Soak or replace. A clogged filter will stall the exhaust blower motor and ruin it.

BUCKET SEASONING PUMP (Deluxe Citation and Antique Citation only)



We recommend cleaning the bucket seasoning pump by cycling a cleaning solution through it. Use a clean, empty seasoning bucket and fill it with hot water and Old Soak cleaner (available from Gold Medal). Use one ounce of Old Soak per gallon of hot water.

Make sure the "OIL SYSTEM MASTER" switch is "OFF". Disconnect the oil line by means of the quick disconnect coupling. Slide the pump and the bucket of seasoning oil to which it is attached from the cabinet. Remove the pump from the seasoning oil and let the excess oil drain off. You must do this when the oil is in the liquid state and not congealed. Wipe as much of the oil from the pump as you can, and then mount the pump on the bucket containing the cleaning solution. Slide the pump and bucket into the cabinet and reconnect the oil line.

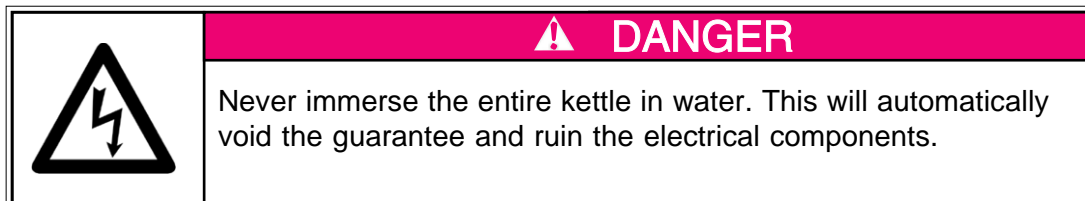
Disconnect the kettle lead-in cord and remove the kettle from the cabinet. Place a suitable container inside the popper to catch the cleaning solution after it is cycled through the oil delivery system.

Turn the "OIL SYSTEM MASTER" switch "ON". Cycle the pump by means of the red "OIL PUMP" button. Continue to cycle until the pump and delivery systems are clean. Turn the "OIL SYSTEM MASTER" switch "OFF". Remove the pump from the cleaning solution. Replace the cleaning solution with plain hot water and recycle the pump to flush out the cleaning solution. Remove the pump from the hot water, allow it to drain for a few minutes, then wipe all exposed surfaces dry.

Place the pump back into the bucket of seasoning oil immediately. Cycle the pump several times to remove any water which may be inside the internal parts of the pump or delivery system.

KETTLE

When you are finished popping for a while, and the kettle has cooled, wipe the oil off the outside of the kettle and lids. Although the kettle shell is chrome plated, it will become blackened if you allow the oil to bake on. When not popping corn, always turn the "KETTLE HEAT" switch to "OFF".



TO CLEAN REALLY BAD KETTLES

If you have not taken care of the kettle, and it has become blackened badly, some really hard work is going to be required to clean it. Some folks find it easier to send the kettle back to their dealer or to the factory for cleaning. However, this is costly. You can clean the inside of the kettle with our Old Soak cleaner; make a solution as directed, turn on the kettle and let it boil, then let it soak in, drain and rinse. NEVER dunk the entire kettle in the water. It will ruin both elements and thermostats. If you want to soak the entire kettle in Old Soak, remove all the wiring, elements and thermostats. This should only be done by an experienced service person.

We do have a new product called Soak-Off which removes the burned oil encrustation rather easily. You brush the material on the kettle, then scrape the softened residue off and rinse.

Do NOT use commercial oven cleaners on your popcorn machines. They usually are not designed for aluminum and will turn the aluminum very dark.

LEARN HOW TO SELL MORE POPCORN

Your Gold Medal popcorn popper is engineered to produce the finest quality popcorn if you use high quality ingredients, and if your electric line is not overloaded with other electric appliances. Once you assume that you are turning out the finest gourmet quality popcorn, will the world beat a path to your door to buy it? Absolutely not!

You must use every available source of popcorn "sales promotion" or "merchandising" information. The sales representative who sold you this machine has access to "popcorn" point-of-purchase posters. Virtually every popcorn supply distributor also has posters to help you merchandise more popcorn.


The booklet, "101 Ways to Promote Popcorn and Other FunFoods" is loaded with up-to-date merchandising ideas, and is available free of charge from the Gold Medal factory or your local popcorn supply dealer. Be sure to ask for the book. Not every idea in it will apply 100% to your situation, but there will be plenty of ideas that will work dramatically well for you.


If you're using your new Gold Medal popper in a snack bar with other snack foods of FunFoods, then you will want to have a copy of the current edition of "How to Make Money with Snacks". This book is edited every year and includes a wide variety of up-to-date information on how to put together and profitably operate a FunFood snack bar.


Educational seminars are put on in many cities worldwide by Gold Medal dealers. Be sure to ask your dealer for the dates of his next seminar. If he isn't planning one, encourage him to put together at least a biennial "ideal exchange" seminar.

Yes, when you purchased this Gold Medal popper, you bought the finest value in popcorn popping machines available anywhere in the world. But you must not plug the machine in and forget about it. Rather, once you plug it in, start merchandising popcorn. When you put together your schedule of promotions and then implement the program from week-to-week or month-to-month, you'll be delighted at the results your Gold Medal popper is bringing to you.

MAINTENANCE INSTRUCTIONS

	⚠ CAUTION
	<p>THE FOLLOWING SECTIONS OF THIS MANUAL ARE INTENDED ONLY FOR QUALIFIED SERVICE PERSONNEL WHO ARE FAMILIAR WITH ELECTRICAL EQUIPMENT. THESE ARE NOT INTENDED FOR THE OPERATOR.</p>

	⚠ WARNING
	<p>Adequate eye protection must be used when servicing this equipment to prevent the possibility of injury.</p>

	⚠ DANGER
	<p>Do NOT immerse the kettle, warmer, or any other part of this equipment in water. Unplug your machine before servicing.</p>

THIRTY DAY MAINTENANCE CHECK

Once every month, we suggest you check the following items.

LIGHT BULB IN DOME

To replace a burnt out light bulb in the dome, remove two screws and rubber washers which hold the dome in place. Bend the front (customer side) up, unscrew the burned out bulb, and screw the new bulb in. Be careful to bend the dome up only enough to get the bulb in. If you bend it too much it may crack. Use an ice pick, if necessary, to locate the threaded stud which the screw goes into, get it centered, press down on the fiberglass dome, and reinsert the screw and washer and retighten. There is no need to remove the switch trim plate or to completely remove the dome.

HEAT LAMP

A burnt out heat lamp is easily unscrewed and replaced with a new one. Like all light bulbs, the heat lamp is probably not going to give you any more than 700 hours. You should always have a spare on hand.

LOOSE KNOBS

We suggest you check the knob on the lid lifter, dump handle, and doors. Make sure all are tight.

SET SCREWS

Check the setscrews in the agitator shaft collars, the setscrew in the spur gear on the agitator shaft and the setscrew in the spur gear on the gearbox shaft.

AGITATOR SHAFT

Check the set collars to make sure they are close against the bronze bushing in the kettle crossbar. Excessive play will allow agitator stir blade to rise up and could cause kernels of corn to jam under the stir blade which could stall the motor. Check the stir blade; it should be about 1/32" from the kettle bottom.

WIRING AND PLUGS

Wiring should not require any attention unless you have problems. Before doing any checking, disconnect the main power supply cord. Every sixty days check the male plug on the kettle lead-in cord and the female receptacle on the popper motor mount plate. If there is any grease residue, wipe the plug and receptacle clean to assure good contact and full current capacity. Replace with genuine parts if any burning or arcing is observed.

LUBRICATION

The kettle drive motor on your Gold Medal popcorn machine has sealed bearings that require no lubrication. The exhaust blower motor should be lubricated every six months with a few drops of S.A.E. 20 oil. The blower warmer motor on the Citation, Deluxe Citation and Whiz Bang should be lubricated every six months with a few drops of S.A.E. 20 oil. You might put a drop of oil in the needle bearing at the top of the agitator shaft if the machine is only used occasionally, to prevent rust. **NOTE:** Do **NOT** over oil.

TROUBLESHOOTING

LONG POPPING CYCLES

If your popper is slow to attain a decent popping cycle, or never reaches one, it can be the result of several things:

- A. HEATING ELEMENT - One of the heating elements in the kettle may be burned out. This would result in the kettle never reaching the proper operating temperature.
- B. THERMOSTAT - A defective thermostat could cause the kettle not to attain the proper operating temperature.
- C. LOW VOLTAGE - If the machine is operated on low voltage, this could cause the kettle not to reach the proper operating temperature.
- D. INADEQUATE SUPPLY LINES - Inadequately sized electrical supply lines, in addition to being a fire hazard, would also prevent the kettle from reaching the proper operating temperature. You should have at least #10 wires running to the wall receptacle into which your machine is plugged.
- E. INFERIOR CORN - Inferior quality corn would result in longer popping cycles. Use only top quality hybrid popcorn from reputable suppliers. Even then, if you let your corn pick up moisture or dry out, your popping cycles will be slow.

KETTLE DOES NOT HEAT

If the kettle does not heat at all, it can be the result of several things. Before you go any further, make sure the kettle lead-in cord is plugged in, and that circuit breakers are not thrown. Make sure all electrical connections are tight.

- A. KETTLE HEAT SWITCH - Check the current to and from the "KETTLE HEAT" switch, and if the switch is defective replace it.
- B. THERMOSTAT - A defective thermostat would cause the kettle not to heat. A good check is to bypass the thermostat and see if the heating elements will produce heat. If they do, the thermostat is defective and should be replaced. You can also check the thermostat by checking the current to and from it.
- C. HEATING ELEMENTS - Normally the heating elements should last through several tons of popcorn; however, elements do burn out. Visual inspection might show a hole burned through the metal sheath in some cases. If no defect is apparent, check the current to the heating elements. If defective, new elements are available from your local Gold Medal Dealer or directly from the factory.

MOTOR WILL NOT TURN AGITATOR

The kettle is not set back into its correct position. If the agitator shaft is not all the way back into its resting position (i.e. the gear at the top of the agitator shaft and the gear mounted to the motorplate are not locked together), the agitator shaft will not be able to rotate. A burned batch of corn could result. Also check to see if a kernel of unpopped or popped corn could be wedged between the stir blade and the kettle bottom.

If there is more than 1/32" clearance between the kettle bottom and the stir blade, it should be adjusted. To do this, loosen the set screw in the collar at the top of the crossbar and lower the agitator shaft as necessary. Then re-tighten the set screw in the collar. Now, take up the end play in the agitator shaft by repositioning the collar under the kettle crossbar.

OIL PUMP DOES NOT DELIVER OIL TO KETTLE

If the oil pump does not deliver oil to the kettle, it could be the result of several things. However, the first thing to do is to check the oil in the bucket to be sure it is liquid. Perhaps you did not allow enough melting time at high heat, or the heating element is defective. The limit switch on the manual high heat timer could also be defective. If the oil is liquid, check the following:

- A. ELECTRICAL CONNECTIONS - Check all electrical connections to see that they are clean and tight.
- B. OIL PUMP PUSH BUTTON SWITCH - Check the current to and from the "OIL PUMP PUSH BUTTON SWITCH", with the button depressed, and if the switch is defective, replace it.
- C. TIMER MOTOR LIMIT SWITCH - Check the current to and from the "TIMER MOTOR LIMIT SWITCH", and if the switch is defective, replace it.
- D. TIMER MOTOR - Check the current to the timer motor, and if the motor is defective, replace it.
- E. PUMP MOTOR LIMIT SWITCH - Check the current to and from the "PUMP MOTOR LIMIT SWITCH", and if it is defective, replace it.
- F. PUMP MOTOR - Check the current to the pump motor, and if the motor is defective, replace it.
- G. LOW VOLTAGE - You must have a properly sized electrical line to the machine to handle the ampere draw. If the line is properly sized, in some remote cases, the voltage supplied by the electric company could be extremely low, contact your local electric company. Some symptoms of low voltage are long popping cycles, and pump not cycling with kettle heat on.

MISALIGNMENT BETWEEN SLOT IN GEARBOX ON TOP OF POPPER AND NEEDLE BEARING ON END OF AGITATOR SHAFT

After the kettle is dumped and returned to the upright position, the small needle bearing on the end of the agitator shaft should slide freely into the slot in the gearbox to ensure proper meshing of the drive gears.

During shipment the kettle sometimes shifts within the hanger arms and causes misalignment. This can be corrected by physically moving the kettle between the hanger arms until the needle bearing lines up with the slot. This may require repositioning the dump handle set collar on the cross bar.

In some rare cases, the hanger arms may be bent slightly out of alignment due to the extremely rough handling during shipment. This may require physical adjustment of the hanger arms to obtain the correct alignment. This can be accomplished by tapping the bottom of the hanger arms gently with a piece of hard wood.

HEAT ELEMENT REPLACEMENT

Replacing donut type kettle heat elements using heat transfer material between the elements and kettle bottom.

1. Disconnect the kettle lead-in cord and remove the kettle from the machine.
2. Take the kettle to a work bench. Disconnect wiring as required and remove the kettle bottom disc, or kettle shell. Make a sketch of how the wiring is connected or refer to the wiring diagram in this manual for your particular kettle.
3. Remove the clamp or clamps which fasten the heat element to the kettle bottom.
4. Observe the location of the heat element terminals and mark their position on the kettle bottom, as the new element must be placed in exactly the same location. Disconnect the wires to the heat element and remove the old heat element. Scrape all the old heat transfer cement from the kettle bottom so the new heat element will have a clean surface to contact.
5. Take the jar of heat transfer material and spread a layer on the underside of the new heat element. Heap this material up to about 1/8" high at the center of the element cross-section and have it taper down to about 1/32" at the ends of the element cross-section.
6. Place the heat element on the kettle bottom, making sure the element leads are properly positioned so the wiring can be reconnected.
7. Replace the clamp or clamps which hold the heat element in position and tighten them securely.
8. Immediately remove the excess heat transfer material which was squeezed out from between the heat element and the kettle bottom. **NOTE:** It is very important to remove all the excess heat transfer material due to its electrical conductivity.
9. Reconnect the wiring and reassembly the kettle in reverse order.

ORDERING SPARE PARTS

1. Identify the desired part by checking it against the photos, illustrations, and/or the parts list.
2. When ordering, please include part number, part name, and quantity desired.
3. Please include your model name and machine serial number (located on the machine nameplate) with your order.
4. Address all parts orders to:

Parts Department
Gold Medal Products Co.
10700 Medallion Drive
Cincinnati, Ohio 45241-4807

or, place orders at:

(513) 769-7676
Fax: (513) 769-8500
E-mail: goldme19@eos.net

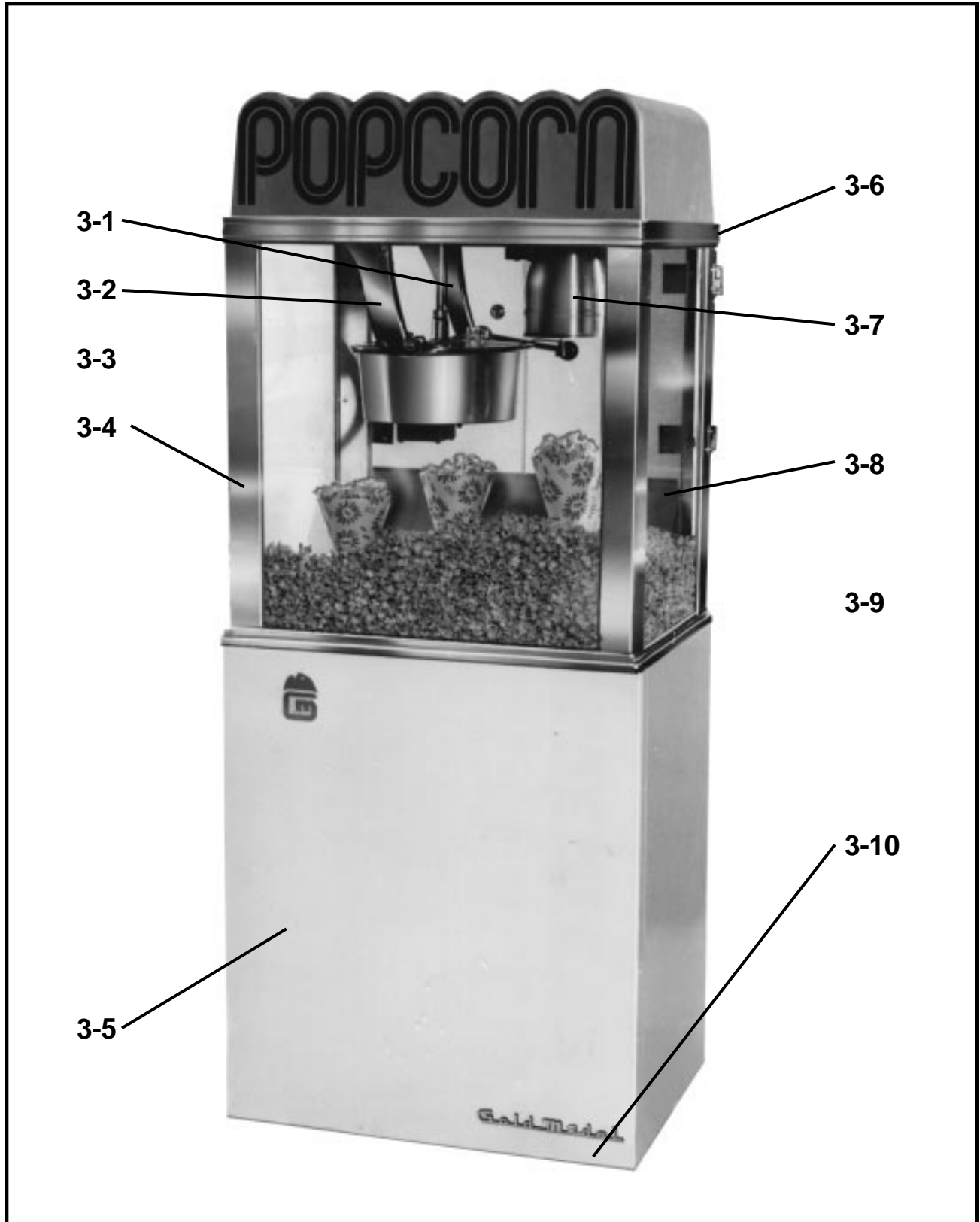
GLASS REPLACEMENT

NOTE:

We do NOT ship glass. Obtain replacement glass from your local glass shop or hardware store. Always purchase double strength glass.

Front Glass Size	Side Glass Size	Machine(s)
$\frac{1}{8}$ " x 22 $\frac{15}{16}$ " x 28 $\frac{3}{16}$ "	$\frac{1}{8}$ " x 15 $\frac{3}{8}$ " x 28 $\frac{3}{16}$ "	Citation, Deluxe Citation, Whiz Bang, Deluxe Whiz Bang and Pop-A-Lot
$\frac{1}{8}$ " x 23 $\frac{1}{16}$ " x 28 $\frac{3}{16}$ "	$\frac{1}{8}$ " x 23 $\frac{1}{16}$ " x 28 $\frac{3}{16}$ "	Antique Citation

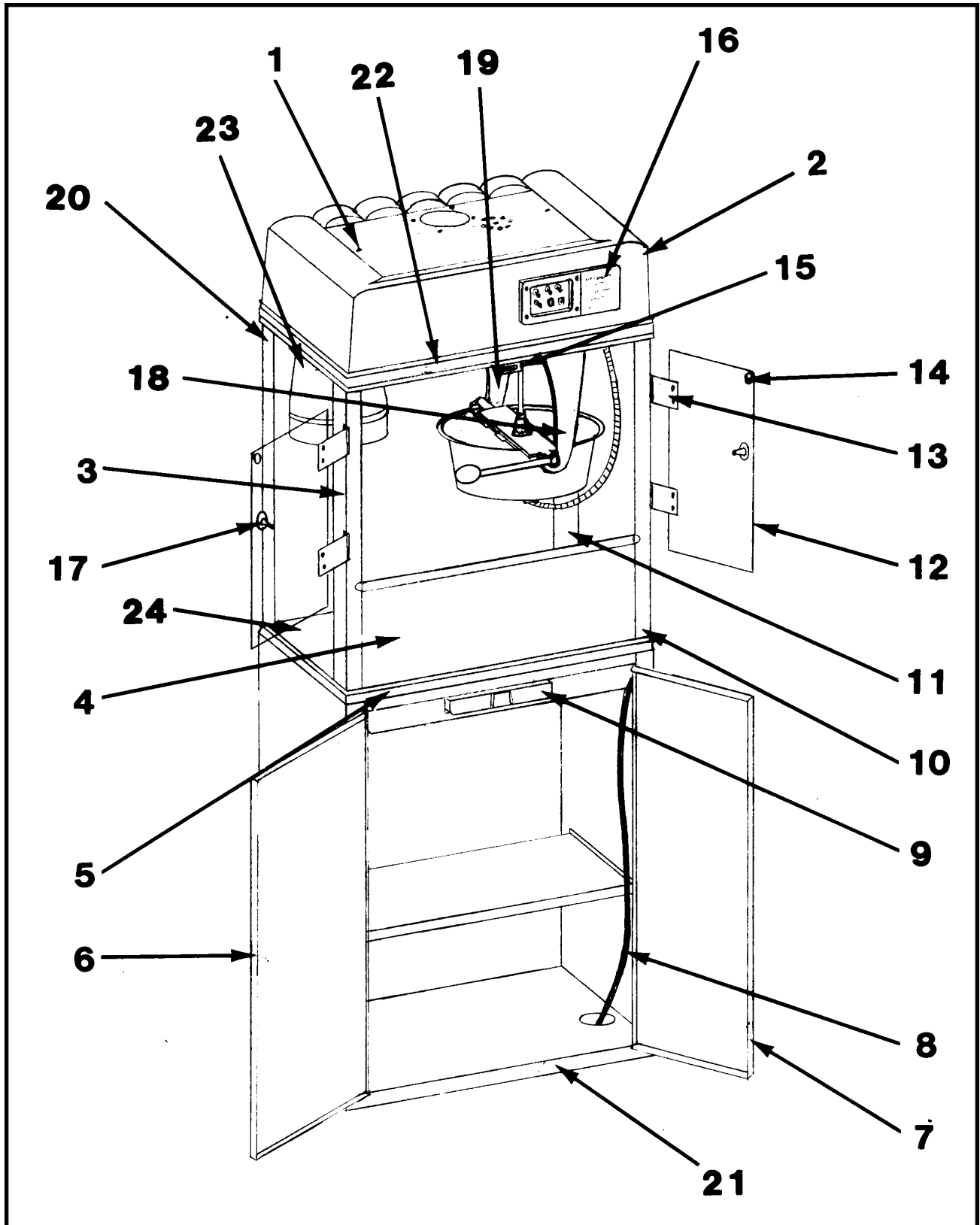
FRONT VIEW



PARTS LIST – FRONT VIEW

	Model #2001	Model #2003	Model #2005	Model #2007	Model #2102	Model #2119	
Item	Part No.	Part No.	Part No.	Part No.	Part No.	Part No.	Description
3-1	47263	47263	47263	47263	47263	47263	Rear Hanger Arm
3-2	47262	47262	47262	47262	47262	47262	Front Hanger Arm
3-3	47592	47592	47592	47592	47592	47592	Glass Retain Strip, Rear
3-4	47381	47381	47381	47381	47381	47309	Front Corner Post
3-5	37524	37524	37524	37524	37501	37501	Base Cabinet
3-6	47301	47301	47301	47301	47301	N/A	Case Top Frame
3-7	47319	47319	47319	47319	47319	47319	Shield, Heat Lamp
							Heat Lamp 125Watt
3-8	44026	44026	n/a	n/a	n/a	44026	Heat Element, 120 Volt
	47722	47722	47736	47736	47736	47450	Bottom Corn Pan
	47370	n/a	47370	n/a	47370	n/a	Latch, Corn Pan
	47335	n/a	47335	n/a	47335	n/a	Latch Spacer
3-9	47565	47565	47565	47565	47565	47565	Corner Cover
3-10	47304	47304	47304	47304	47304	47451	Case Bottom Frame

REAR VIEW



PARTS LIST – REAR VIEW

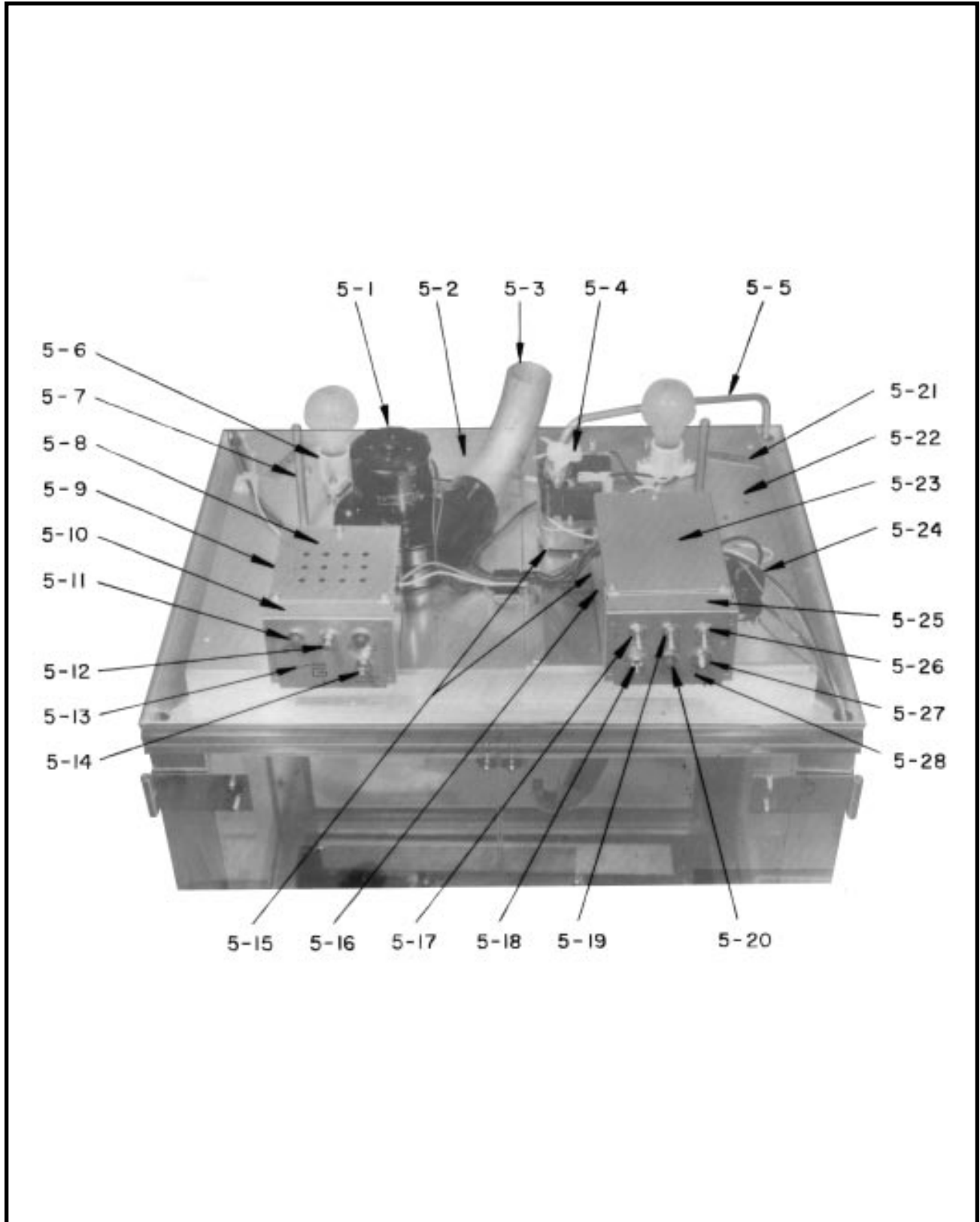
Item	Model #2001 Part No.	Model #2003 Part No.	Model #2005 Part No.	Model #2007 Part No.	Model #2102 Part No.	Model #2119 Part No.	Description
4-1	47279	47279	47279	47279	47279	n/a	Rubber Washer
4-2	47395	47395	47395	47395	47392	n/a	Yellow Dome
4-3	47883	47883	47883	47883	47883	47311	Left Rear Corner Post
4-4	47337	47337	47337	47337	47337	47454	Drop Panel
4-5	47322	47322	47322	47322	47322	47322	Male Hinge, Drop Panel
4-6	37510	37510	37510	37510	37510	37304	Left Door, Base
4-7	37508	37508	37508	37508	37508	37303	Right Door, Base
4-8	47601	47580	47603	See Note	47601	47601	Power Supply Cord
	47026	47026	47026	41456	47026	47026	Strain Relief
	47290	47211	47211	n/a	47290	47290	Receptacle, Power Supply
	47377	47377	47377	n/a	47377	47377	Cover Plate, Wall Receptacle
4-9	47336	47336	47336	47336	47336	47336	Old Maid Pan
4-10	47382	47382	47382	47382	47382	47310	Right Rear Corner Post
4-11	47593	47593	47593	47593	47593	47593	Front Glass Retainer Strip
4-12	47591	47591	47591	47591	47591	47599	Plexiglass Door
4-13	41349	41349	41349	41349	41349	41349	Male Hinge, Short Right
	41350	41350	41350	41350	41350	41350	Male Hinge, Short Left
	41351	41351	41351	41351	41351	41351	Female Hinge, Long Right
	41352	41352	41352	41352	41352	41352	Female Hinge, Long Left
4-14	47237	47237	47237	47237	47237	47237	Door Striker
4-15	47560	47560	47560	47560	47560	47560	Mount Bracket Magnetic Catch
	47561	47561	47561	47561	47561	47561	Magnetic Catch
4-16	47229	47229	47229	47229	47229	47229	Trim Plate, Switch Cover
4-17	41013	41013	41013	41013	41013	41013	Door Knob

NOTE: Pop-A-Lot models operate using the following power supply cord.

Model #2007 47602

Model #2007C 47580

TOP VIEW

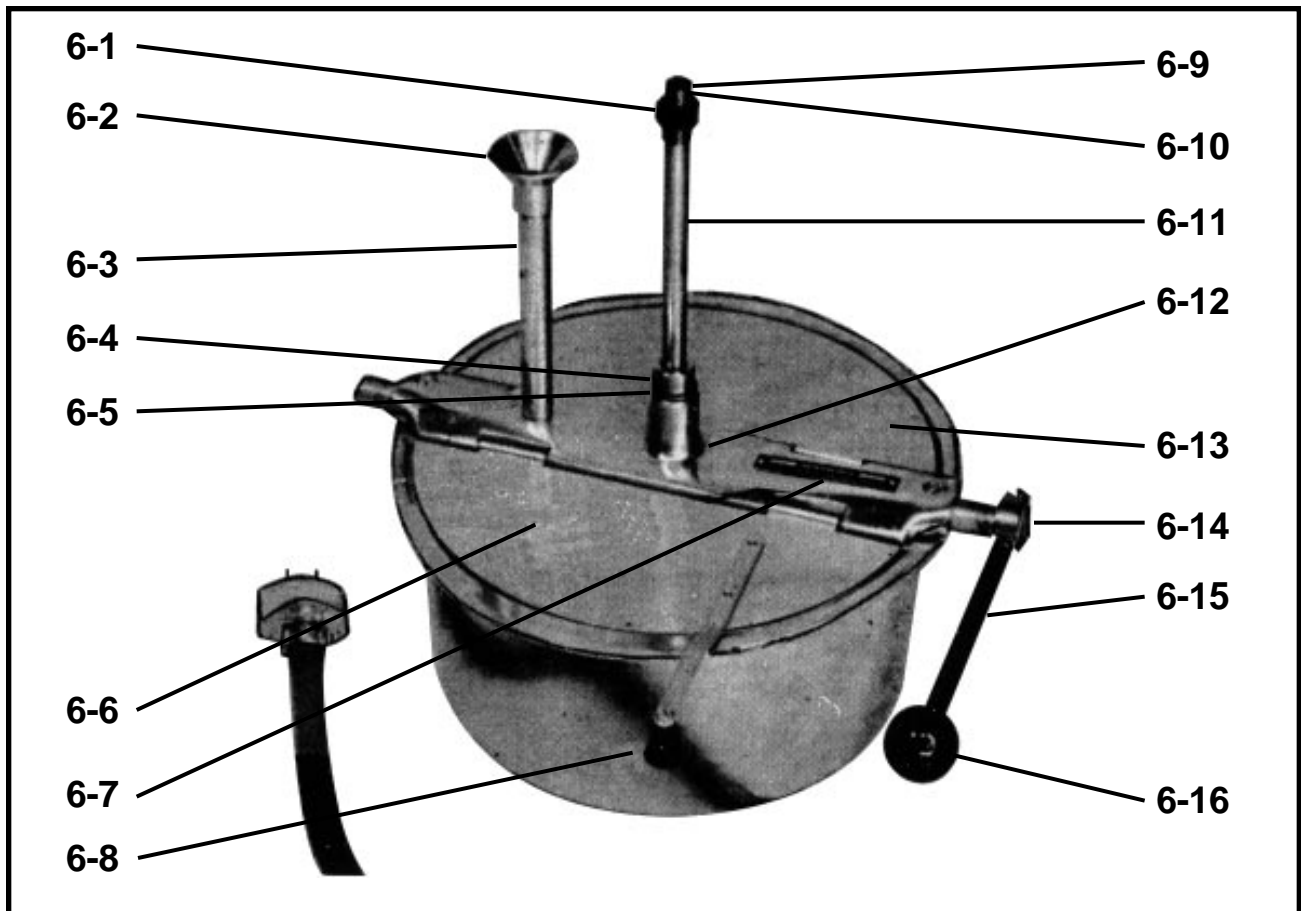


PARTS LIST – TOP VIEW

Item	Model #2001 Part No.	Model #2003 Part No.	Model #2005 Part No.	Model #2007 Part No.	Model #2102 Part No.	Model #2119 Part No.	Description
5-1	47343	47343	47343	47343	47343	47343	Exhaust Blower, 120 Volt
5-2	47371	47371	47371	47371	47371	47411	Half Roof
5-3	47397	47397	47397	47397	47397	47397	Elbow Exhaust Blower
5-4	47183	47057	47057	47057	47183	47183	Kettle Drive Motor, 120 Volt
	47065	47065	47065	47056	47065	47056	Gear Box w/ Bushing
5-5	41047	41047	41047	41047	41047	41047	Oil Delivery Tubing
	47225	47225	47225	47225	47225	47225	Set Collar Oil Tube
5-6	47047	47047	47047	47047	47047	47047	Receptacle, Heat Lamp
5-7	47046	47046	47046	47046	47046	47046	Dome Spacer
5-8	n/a	n/a	n/a	n/a	47289	n/a	Lid, Switch Box Cover
5-9	n/a	n/a	n/a	n/a	47288	n/a	Wrap Around Cover
5-10	47274	47274	47274	47274	47274	n/a	Switch Box
	n/a	n/a	n/a	n/a	47224	n/a	Spacer
5-11	41033	41033	41033	41033	41033	41033	Pilot Light, 120 Volt
5-12	41031	41031	41031	41031	41031	41031	Push Button Switch
5-13	n/a	n/a	n/a	n/a	47259	47259	Switch Plate
5-14	n/a	n/a	n/a	n/a	41016	41016	Switch, Oil Master
5-15	47264	47264	47264	47264	47264	47264	Spacer, Switch Box
5-16	47286	47286	47286	47286	47286	n/a	Wrap Around Cover
	47299	47299	47299	47299	47299	47299	Tinnerman Fasteners
5-17	47202	47202	47202	47202	47202	47202	Light Switch
5-18	47201	47201	47201	47201	47201	47201	Kettle Heat Switch
5-19	47202	47202	47202	47202	47202	47202	Kettle Motor Switch
5-20	41033	41033	41033	41033	41033	41033	Pilot Light, 120 Volt
5-21	47210	47210	47210	47210	47210	47210	Warning, Heat Lamp
	47177	47177	47177	47177	47177	47177	Warning, Lamp Size
5-22	47873	47873	47873	47871	47873	47873	Motor Mount Plate
5-23	47287	47287	47287	47287	47287	n/a	Switch Box Lid
	47208	47208	47208	47208	47208	47208	Terminal Block
5-24	47327	47327	47327	47327	47327	47327	Receptacle Kettle Lead
5-25	47274	47274	47374	47274	47274	47274	Switch Box
5-26	47202	47202	47202	47202	47202	47202	Warmer Switch
5-27	47364	47364	47364	47364	47364	47364	Circuit Breaker
5-28	47384	47384	47384	47384	47384	47384	Cover Plate Switch

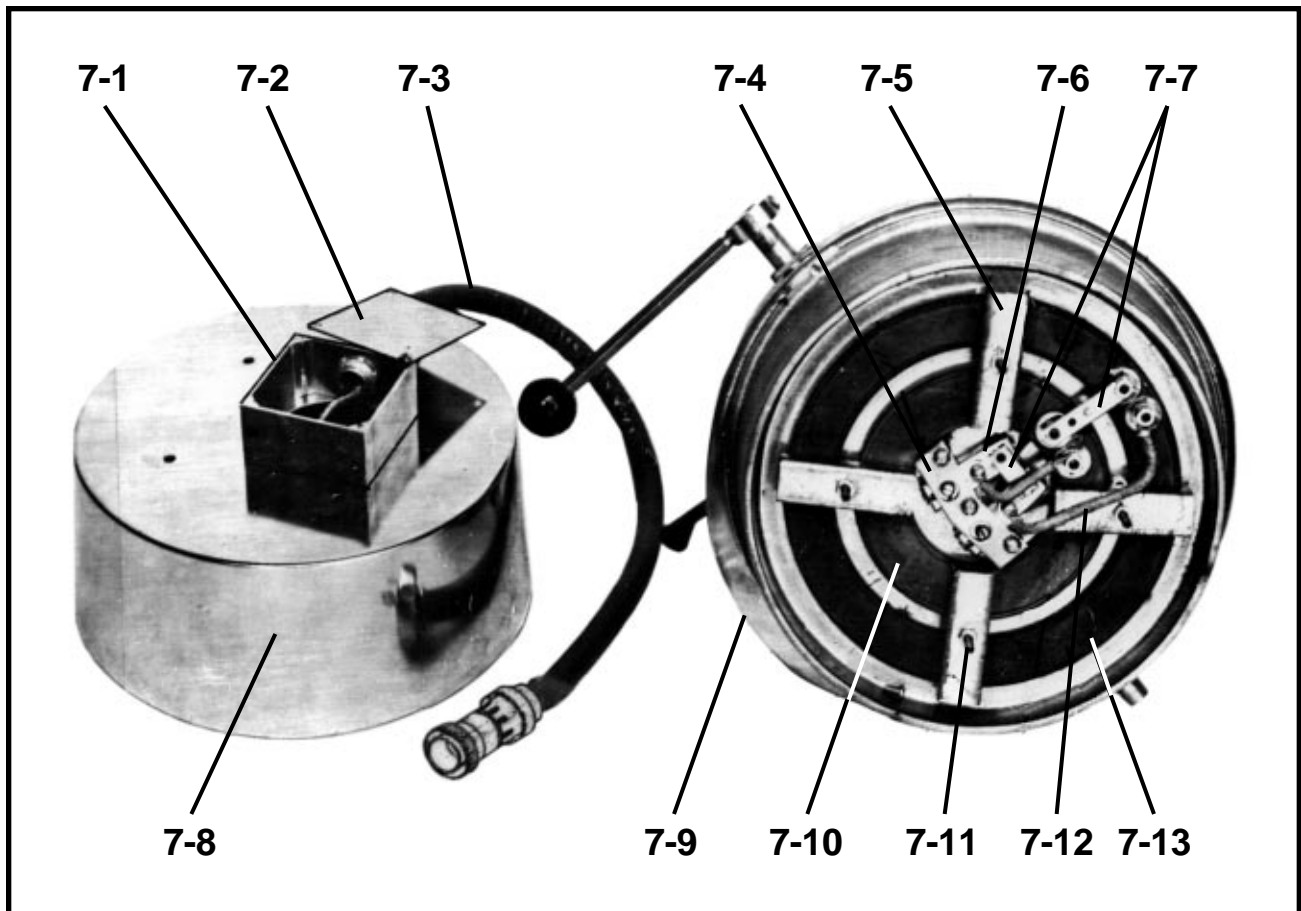
KETTLE – TOP VIEW

Item	Model #2001 Part No.	Model #2003 Part No.	Model #2005 Part No.	Model #2007 Part No.	Model #2102 Part No.	Model #2119 Part No.	Description
6-1	47059	47059	47059	47059	47059	47059	Spur Gear
6-2	n/a	n/a	n/a	n/a	47331	47331	Funnel, Oil Tube
6-3	n/a	n/a	n/a	n/a	47330	47330	Oil Tube
6-4	47326	47326	47326	47326	47326	47326	Set Collar, Agit. Shaft
6-5	47097	47097	47097	47097	47097	47097	Crossbar Bushing
6-6	47247	47247	47247	47261	47247	47247	Front Kettle Lid
6-7	47154	47154	47154	47154	47154	47154	Warning, Do Not Immerse
6-8	47120	47120	47120	47120	47120	47120	Knob Lid Lift
6-9	47107	47107	47107	47107	47107	47107	"C" Ring
6-10	47106	47106	47106	47106	47106	47106	Needle Bearing
6-11	47098	47098	47098	47100	47098	47098	Agit. Shaft w/ Stir Blade
6-12	47706	47706	47706	47719	47711	47711	Kettle Crossbar w/ Bushing
6-13	7113	47113	47113	47119	47113	47113	Rear Kettle Lid
6-14	47325	47325	47325	47325	47325	47325	Set Collar Dump Handle
6-15	47109	47109	47109	47109	47109	47109	Dump Handle
6-16	47110	47110	47110	47110	47110	47110	Knob, Dump Handle



KETTLE – BOTTOM VIEW

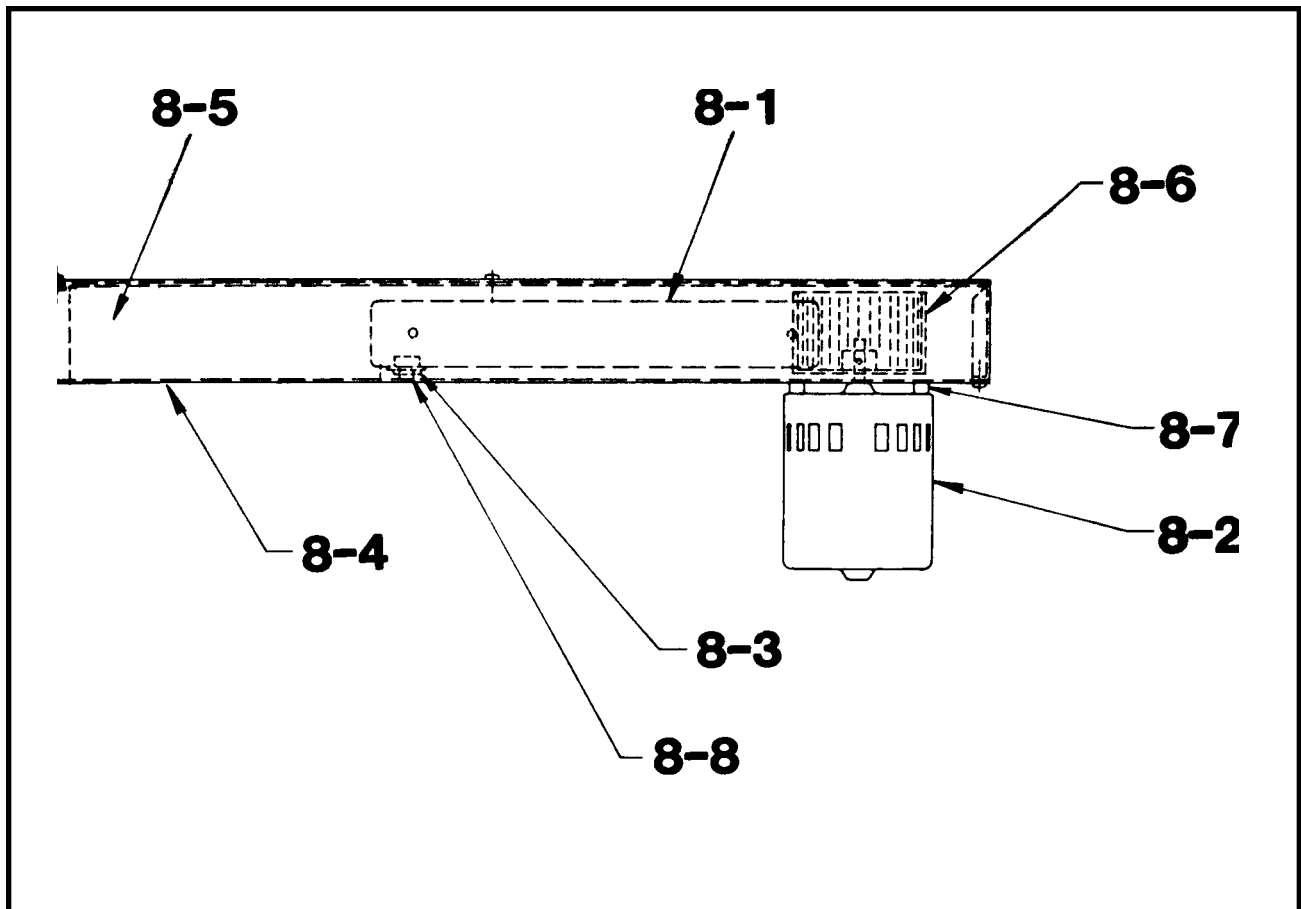
Item	Model #2001 Part No.	Model #2003 Part No.	Model #2005 Part No.	Model #2007 Part No.	Model #2102 Part No.	Model #2119 Part No.	Description
7-1	47393	47393	47393	47393	47393	47393	Junction Box Kettle
7-2	47394	47394	47394	47394	47394	47394	Cover, Junction Box
7-3	47867	47867	47867	47867	47867	47867	Kettle Lead-In Cord w/ Plug
	47867	47867	47867	47867	47867	47867	Plug Only Kettle Lead
7-4	47087	47087	47087	n/a	47087	47087	Retainer Thermostat
7-5	47085	47085	47085	47298	47085	47085	Retainer Heat Element
7-6	47082	47082	47082	47676	47082	47082	Thermostat
7-7	47216	47216	47216	47216	47216	47216	Shunt Bar
7-8	47375	47375	47375	47611	47375	47375	Kettle Shell
7-9	47752	47752	47752	47610	47752	47752	Kettle Casting
7-10	47077	47079	47079	47081	47077	47077	Heat Element, 120Volt
7-11	47051	47051	47051	47821	47051	47051	Kettle Studs w/ Nuts
7-12	47285	47285	47285	47285	47285	47285	Solid Nickel Kettle Wire
7-13	41183	47080	47080	n/a	41183	41183	Heat Element, 120 Volt



BLOWER – WARMER ASSEMBLY

Used on Citation, Deluxe Citation and Deluxe Whiz Bang Only

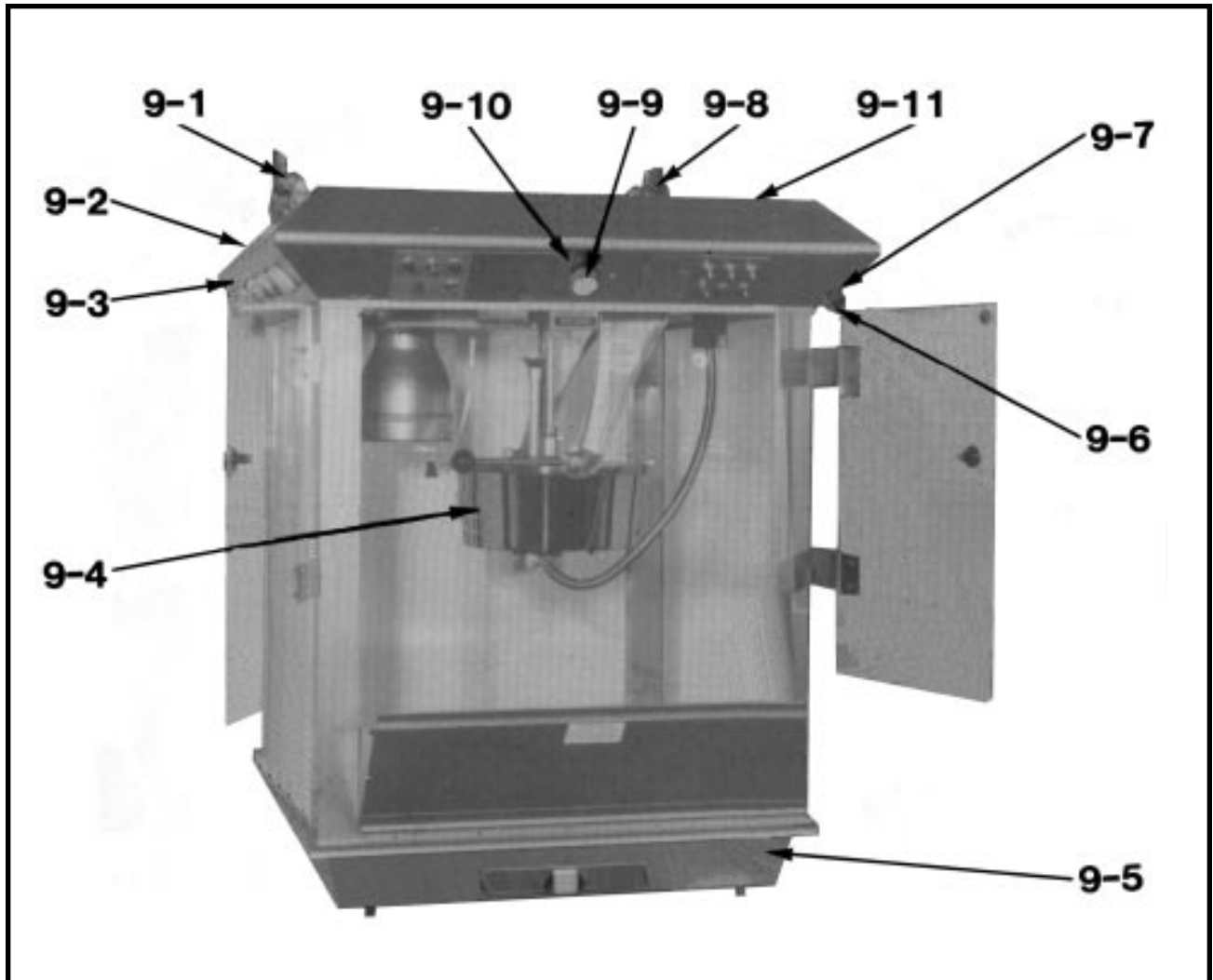
Item No.	Part No.	Description
8-1	47355	Heat Element, Warmer
8-2	47356	Motor, Warmer
8-3	47385	Thermostat, Warmer
8-4	47545	Warmer Chassis
8-5	47542	Cover, Warmer
8-6	41113	Blower Wheel
8-7	47456	Spacer, Motor (2 Reqd.)
8-8	47456	Spacer, Thermostat (2 Reqd.)
	47563	Blower Warmer (Complete Ready To Install)
	47562	Molded Wire Harness, Warmer (Male & Female Section Not Shown)



ANTIQUE CITATION – REAR VIEW

Model #2219

Item No.	Part No.	Description
9-1	47439	Top Right Ornament Assembly
9-2	47406	Upper Top Frame
9-3	47408	Lower Top Frame
	47429	U-Clip (5 Required)
9-4	47880	Kettle Complete w/o Agitator & Lid
	47879	Kettle Complete w/o Agitator & Lid
9-5	47482	Bottom Cover
9-6	47422	Light Bulbs (15 Required)
9-7	47434	Light Socket
9-8	47401	Top Left Ornament Assembly
9-9	47423	Dimmer Switch
9-10	13117	Nameplate, Dimmer Plate
9-11	47476	Top Inspection Cover
	47888	Complete Hanger Assembly w/o Kettle



PARTS LIST – POPPER BASE

Model #2031 Part No.	Model #2032 Part No.	Model #2111 Part No.	Model #2120 Part No.	Description
n/a	n/a	37019	n/a	Waste Basket, Corn Storage
37021	37021	37021	13063	Shipping Carton
37033	37033	37033	37033	Strip Grommet
n/a	n/a	37040	n/a	Waste Basket Lid
n/a	n/a	37206	37302	Corn Bin Assembly
n/a	n/a	n/a	41215	Corn Bin Retainer
n/a	n/a	n/a	41778	Corn Bin
n/a	n/a	n/a	41777	Corn Bin Lid
n/a	n/a	n/a	46550	Drawer Slides
n/a	n/a	n/a	82014	Mount Angle, Corn Bin Slide
37212	37212	37212	n/a	Nameplate
n/a	n/a	37213	37213	Season Bucket Storage Slide
37524	37524	37501	37301	Base Cabinet Assembly
n/a	37508	37508	37303	Right Door
n/a	37510	37510	37304	Left Door
37514	37514	37514	37514	NSF. Swivel Caster W/Lock
37515	37515	37515	n/a	NSF. Rigid Caster
n/a	41353	37516	37516	Hinge Pin
n/a	n/a	41011	41011	Door Catch
n/a	41013	41013	41013	Door Knob
41192S	41192S	41192S	n/a	Gold Medal Nameplate
n/a	n/a	41349	41349	Male Hinge Short Right
n/a	41350	41350	41350	Male Hinge Short Left
n/a	41354	41354	41354	Female Hinge Right
n/a	41355	41355	41355	Female Hinge Left
n/a	n/a	41649	n/a	Quick Disconnect Pin
n/a	47000	47000	47000	Warranty Registration Card
n/a	47561	n/a	n/a	Magnetic Catch

MACHINE NAMES FOR MODEL NUMBERS

Model No.	Machine
2111	Deluxe Citation Models
2120	Antique Citation Models
2031	Pop-A-Lot, Whiz Bang, Deluxe Whiz Bang and Citation Models
2032	Pop-A-Lot, Whiz Bang, Deluxe Whiz Bang and Citation Models

ACCESSORIES AND ASSEMBLIES

Complete Hanger Assemblies w/o Kettle (Ready to Operate)

Part No.	Model Number
47889	#2001, #2003, #2102 and #2005
47890	#2007
47888	#2119

Kettle Complete with Agitator & Lid Assembly

Part No.	Model Number
47881	#2001
47883	#2003 and #2005
47880	#2102 and #2119
77673	#2007

Kettle Complete without Agitator & Lid Assembly

Part No.	Model Number
47879	#2001, #2102 and #2119
47882	#2003 and #2005
77672	#2007

Accessories

Part No.	Description
47145	Popcorn Scoop
47147	Oil Measure (1 Cup)
47148	Corn Measure Cup (12 Ounce)
47399	Corn Measure Cup (14 Ounce)
47149	Oil Measure Cup (½ Cup)
47150	Oil Measure Cup (⅓ Cup)
82142	Heat Transfer Cement (2 Ounce Jar)
47152	Shipping Carton (All Models except #2119)
13115	Shipping Carton Top (Model #2119 only)

CORN BIN SLIDE KIT

An optional corn bin slide kit (Model #2520) may be purchased to accompany the following base models (#2111, #2031 and #2032). Our Model #2120 Antique Base comes already equipped with a version of this corn bin slide. A parts listing of this kit (#2520) follows:

Part No.	Model Number
20065	#8-32 x ³ / ₈ " Flat HD. PH. Machine Screw
41211	Right Adapter Angle
41215	Bin Retainer Weld Assembly
41216	Left & Right Hand Drawer Slides
41773	Platform Assembly
41777	Corn Bin Lid
41778	Corn Bin
74149	#8-32 Hex Nut
74150	#8 Internal Tooth Washer
82014	Corn Bin Slide Mount Angle
89128	#8-32 x 1/2" Round HD. PH. Screw

REPLACEMENT KETTLES

Small Kettle Poppers

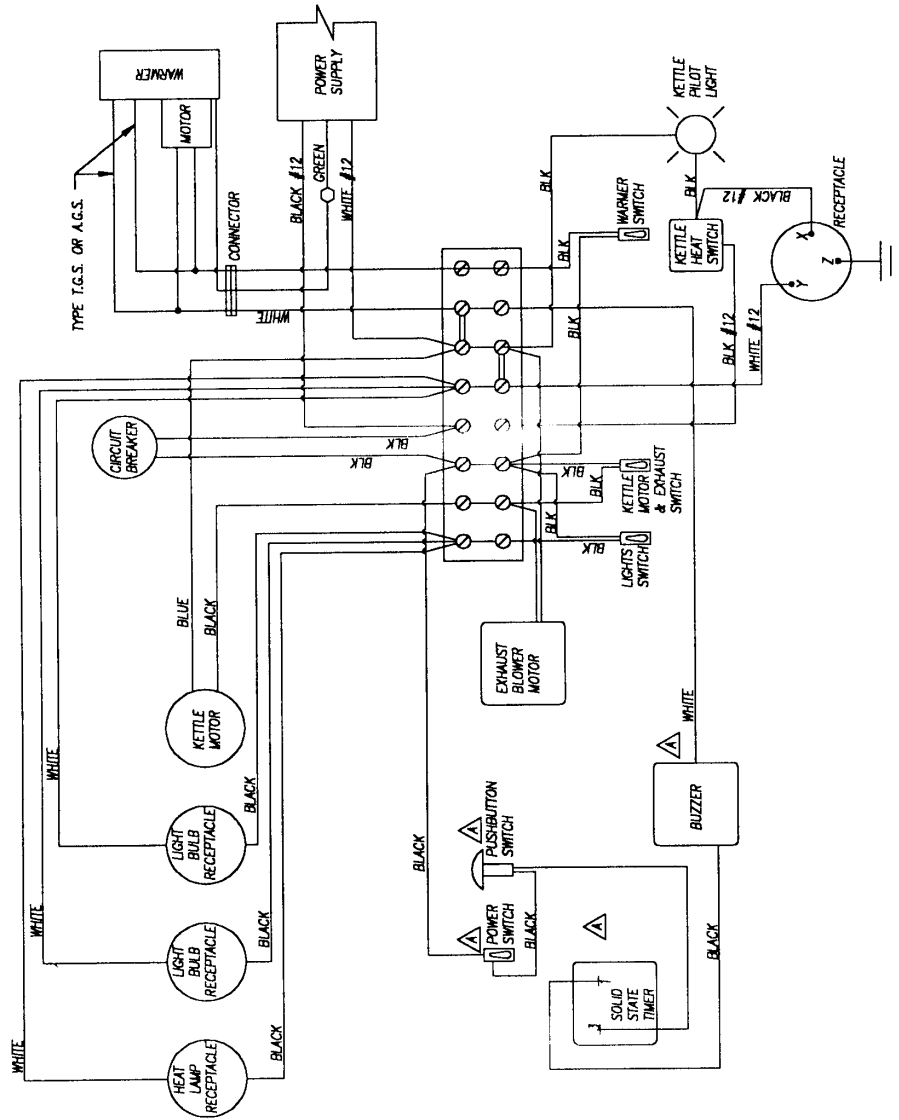
6 Oz. to 14 Oz.

120 Volt, 60 Hertz

Model Number & Description	Complete Kettle (before 1974)	Bottom (before 1974)	Complete Kettle (from 1974-10/1988)	Bottom (from 1974-10/1988)	Complete Kettle (after 10/1988)	Bottom (after 10/1988)	Agitator Assembly (built and assembled)	Kettle Shell (before 1974)	Kettle Shell (after 1974)
Model #2085 60 Special	n/a	n/a	before 2/88 49084	49085	49184	49185	49065	n/a	49077
Model #2086 P-60	n/a	n/a	after 2/88 49184	49185	49184	49185	49065	n/a	49077
Model #2660 Deluxe 60 Special	n/a	n/a	77570	77571	77673	77672	47724	47091	47611
Model #2007 Pop-A-Lot	47265	47158	77087	77088	77087	77088	77603	n/a	n/a
Model #2115 Econo Pop-8	n/a	n/a	n/a	n/a	n/a	n/a	77600	n/a	n/a
Model #2130 Pinto Pop-8	77572	77573	n/a	n/a	n/a	n/a	n/a	n/a	n/a
Model #2147 Deluxe Pinto Pop	n/a	n/a	77570	77571	77673	77672	47724	n/a	47611
Model #2152 Bronco Pop	n/a	n/a	77570	77571	77673	77672	47724	n/a	47611
Model #2131 Gay 90's Pinto Pop	n/a	n/a	77570	77571	77673	77672	47724	n/a	47611
Model #2003 Whiz Bang	47160	47157	47462	47458	47883	47882	47703	47092	47375
Model #2005 Deluxe Whiz Bang	47160	47157	47462	47458	47883	47882	47703	47092	47375
Model #2212 Mega-Pop	n/a	n/a	47462	47458	47883	47882	47703	n/a	47375
Model #2213 Gay 90's Mega-Pop	n/a	n/a	47462	47458	47883	47882	47703	n/a	47375
Model #2214 Red Top 12	n/a	n/a	47462	47458	47883	47882	47703	n/a	47375
Model #2014 Gay 90's Whiz Bang	n/a	n/a	47462	47458	47883	47882	47703	n/a	47375
Model #2001 Citation	47159	47269	47461	47457	47881	47879	47703	47092	47375
Model #2102 Deluxe Citation	47445	47269	47460	47457	47880	47879	47705	47092	47375
Model #2119 Antique Citation	n/a	n/a	47460	47457	47880	47879	47705	n/a	47375
Model #2121 Econo Pop-14	n/a	n/a	77085	77086	77085	77086	77606	n/a	n/a

ELECTRICAL SCHEMATIC – CITATION & DELUXE WHIZBANG

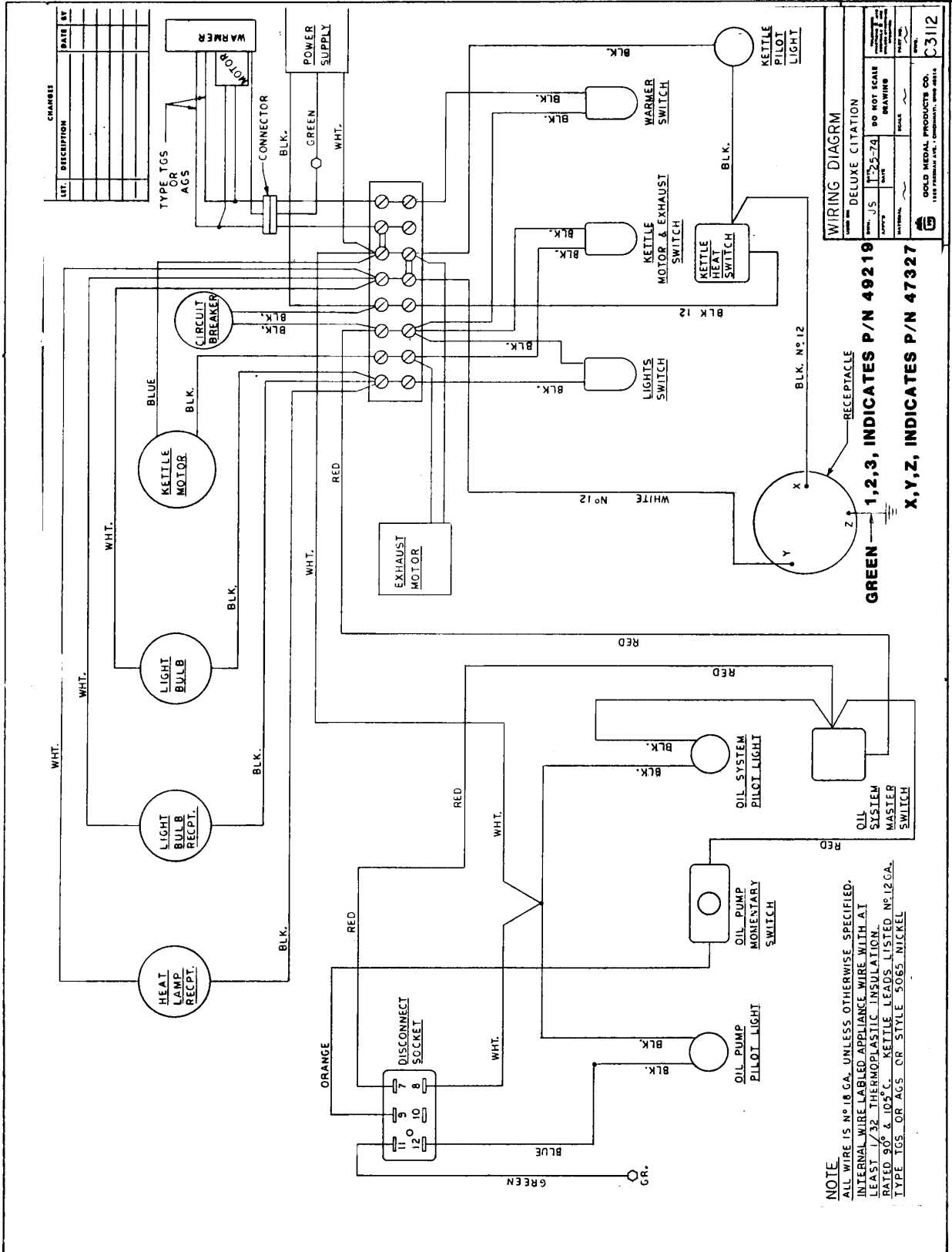
REVISIONS		DATE	BY	CAD
LET	DESCRIPTION			
A	REDRRAWN ON CAD & ADDED BLUZZER, TIMER & TWO SWITCHES			



NOTE:
 ALL WIRE 18 GA UNLESS OTHERWISE SPECIFIED.
 INTERNAL WIRING LABELED APPLIANCE WIRING
 WITH AT LEAST 1/32 THERMOPLASTIC INSULATION
 RATED 90° & 105° C. KETTLE LEAD-12 GA
 TYPE AGS OR TGS OR STILE 5085 NICKEL

WIRING DIAGRAM		CITATION & DELUXE WHIZBANG	
OWN	DATE	DESIGNED BY	DO NOT SCALE DRAWING
APPLY	DATE	CHECKED BY	
SCALE		DATE	
ALL		COLD METAL PRODUCTS CO. C-3113	

ELECTRICAL SCHEMATIC – DELUXE CITATION



WARRANTY

WE WARRANT to the original purchaser the Gold Medal equipment sold by us to be free from defects in material or workmanship under normal use and service. Our obligation under this warranty shall be limited to the repair or replacement of any defective part for a period of six (6) months from the date of sale to the Original Purchaser with regard to labor and two (2) years with regard to parts and does not cover damage to the equipment caused by accident, alteration, improper use, voltage, abuse, or failure to follow instructions.

THIS WARRANTY IS IN LIEU OF ALL OTHER WARRANTIES EXPRESSED OR IMPLIED, AND OF ALL OTHER OBLIGATIONS OR LIABILITIES ON OUR PART, INCLUDING THE IMPLIED WARRANTY OF MERCHANTABILITY. THERE ARE NO WARRANTIES WHICH EXTEND BEYOND THE DESCRIPTION ON THE FACE HEREOF. We neither assume, nor authorize any other person to assume for us, any other obligation or liability in connection with the sale of said GOLD MEDAL equipment or any part thereof.

The term "Original Purchaser" as used in this warranty shall be deemed to mean that person, firm, association, or corporation who was billed by the GOLD MEDAL PRODUCTS COMPANY, or their authorized distributor for the equipment.

THIS WARRANTY HAS NO EFFECT AND IS VOID UNLESS THE ORIGINAL PURCHASER FIRST CALLS GOLD MEDAL PRODUCTS COMPANY AT 1-800-428-2676 TO DISCUSS WITH OUR SERVICE REPRESENTATIVE THE EQUIPMENT PROBLEM, AND, IF NECESSARY, FOR INSTRUCTIONS CONCERNING THE REPAIR OR REPLACEMENT OF PARTS.

NOTE: This equipment is manufactured and sold for commercial use only.



GOLD MEDAL PRODUCTS COMPANY
10700 Medallion Drive
Cincinnati, Ohio 45241-4807 USA