

# 6 Oz. Twin Pop

Part No. 16169  
Revised June 1996

## Popcorn Machine Instruction Manual Model #2666





 **GOLD MEDAL**®


**FUNFOOD EQUIPMENT & SUPPLIES**


Cincinnati, OH 45241-4807 USA


# SAFETY PRECAUTIONS

	<b>⚠ CAUTION</b>
	This equipment is designed and sold for commercial use only. This equipment is not to be used by the consumer in home use. Do not allow direct contact of this equipment by the public when used in food service locations. Only personnel trained and experienced in the equipment operation may operate this equipment. Carefully read all installation instructions before operating the equipment.

	<b>⚠ WARNING</b>
	Always wear safety glasses when servicing this equipment.

	<b>⚠ WARNING</b>
	To avoid serious burns, do NOT touch the kettle while it is hot.

	<b>⚠ WARNING</b>
	Any alterations to this equipment will void the warranty and may cause a dangerous situation. NEVER make alterations to the equipment. Make sure all machine switches are in the OFF position before plugging the equipment into a receptacle.

	<b>⚠ DANGER</b>
	Machine must be properly grounded to prevent electrical shock to personnel. Do NOT immerse the kettle, warmer, or any other part of this equipment in water. Always unplug the equipment before cleaning or servicing.

## NOTE

The information, specifications and illustrations contained in this manual represent the latest data available at time of publication. Right is reserved to make changes as required at the discretion of Gold Medal Products Company without notice.

## **INTRODUCTION**

Your new 2666 Twin Pop is shipped completely assembled, ready to operate. After removing the corrugated carton from the machine, check thoroughly for any damage which may have occurred in transit. Claims should be filed immediately with the transportation company.

Remove all cardboard packing and tape from the machine. Wipe all exposed surfaces with a damp cloth to remove fingerprints, smears, etc... which may have occurred during unpacking and handling.

## **ELECTRICAL REQUIREMENTS**

Standard voltage for the Twin Pop is 120V, 60 cycle, single phase, A.C. current. The unit should be placed on its own 20 AMP electrical circuit. The switches to control the heaters, kettles, and lights are located at the top on the inside of the cabinet.

## **CONTROLS**

There are three switches on each side of the machine.

**LIGHT AND WARMER SWITCH**

Turns on heat to bottom corn pan and flood light.

**KETTLE MOTOR SWITCH**

Turns on motor which drives kettle agitator shaft.

**KETTLE HEAT SWITCH**

Turns on heat element.

## **AMOUNT OF POPCORN AND OIL CHARGE**

Your new popper is equipped with a six ounce corn measure cup. We recommend flavored and colored coconut oil. Popcorn popped in coconut oil stays fresher longer. Coconut oil does not leave the black deposits in your kettle like other oils.

<b>CORN CHARGE -</b>	<b>6 Ounces</b>
<b>OIL CHARGE -</b>	<b>2 Ounces</b>
<b>FLAVACOL -</b>	<b>1 Tablespoon</b>


## **POPPING INSTRUCTIONS**


1. Turn kettle heat and kettle motor switch on.
2. Make test pop with 3 kernels of corn and 1 oz. of oil.
3. Load corn, oil charge, and seasoning into kettle.
4. When corn has popped dump kettle.
5. Repeat cycle starting with step 3.
6. Always pop three to five batches for best results.


## **CARE AND CLEANING**

The aluminum frame of the popcorn machine is easy to keep clean. Usually a damp cloth will remove all dirt and grease spots. **NEVER USE ABRASIVES** on the aluminum framework. The glass should always be clean and sparkling. Remember the inside of the glass must be cleaned too. Empty the old maid drawers and wipe clean. Remove bottom cabinet pans and clean out any stray debris.

## MAINTENANCE INSTRUCTIONS

	<b>⚠ CAUTION</b>
	<p>THE FOLLOWING SECTIONS OF THIS MANUAL ARE INTENDED ONLY FOR QUALIFIED SERVICE PERSONNEL WHO ARE FAMILIAR WITH ELECTRICAL EQUIPMENT. THESE ARE NOT INTENDED FOR THE OPERATOR.</p>

	<b>⚠ WARNING</b>
	<p>Adequate eye protection must be used when servicing this equipment to prevent the possibility of injury.</p>

	<b>⚠ DANGER</b>
	<p>Do NOT immerse the equipment in water. Unplug your machine before servicing.</p>

## ORDERING SPARE PARTS

1. Identify the desired part by checking it against the photos, illustrations, and/or the parts list.
2. When ordering, please include part number, part name, and quantity desired.
3. Please include your model name and machine serial number (located on the machine nameplate) with your order.
4. Address all parts orders to:

Parts Department  
 Gold Medal Products Co.  
 10700 Medallion Drive  
 Cincinnati, Ohio 45241-4807

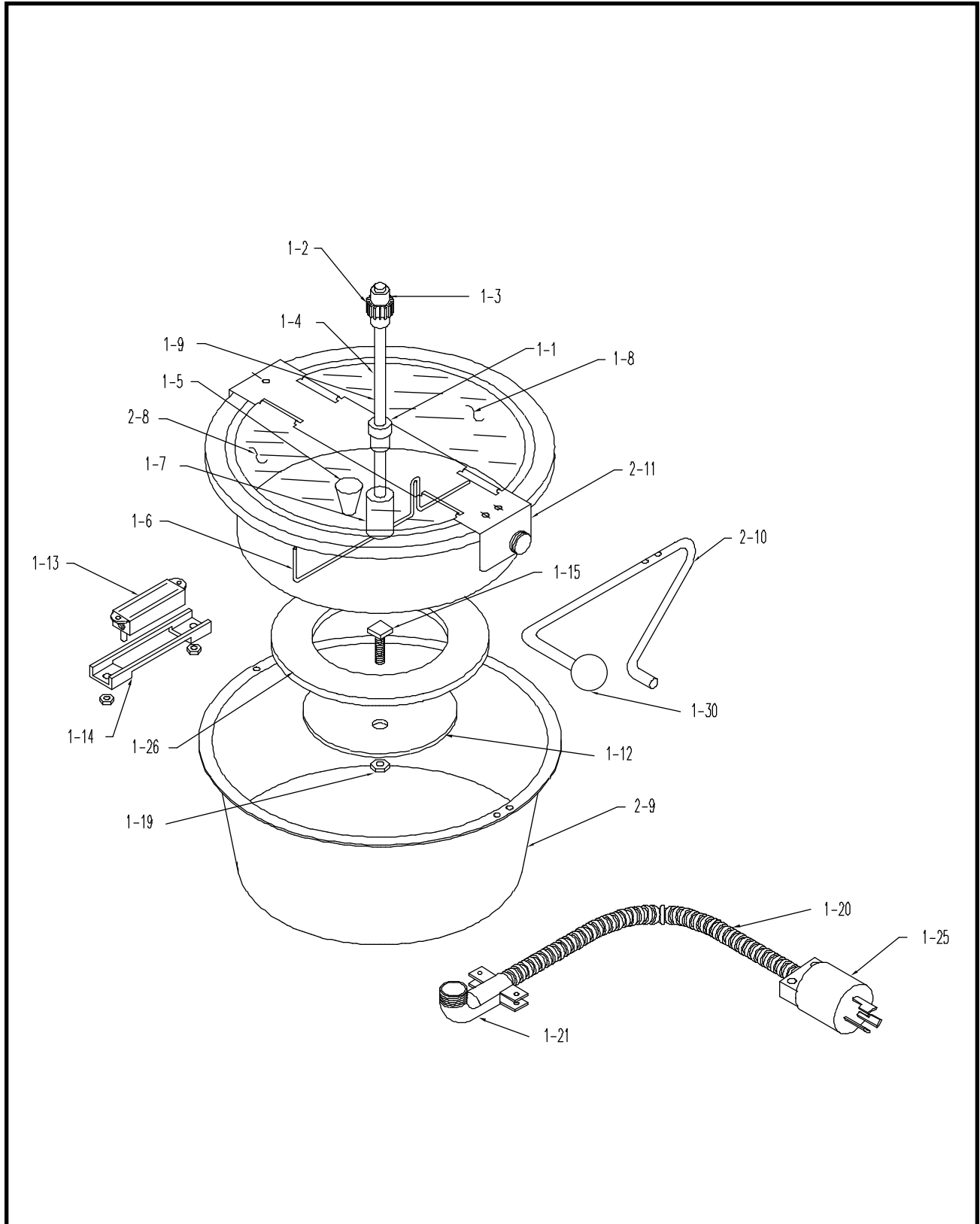
or, place orders at:

(513) 769-767  
 Fax: (513) 769-8500  
 E-mail: goldme19@eos.net

NOTE: We do not ship glass, obtain replacement glass from your local glass shop or hardware store. Always purchase double strength type glass. Sizes are:

FRONT GLASS	28 <sup>3</sup> / <sub>16</sub> " x 22 <sup>15</sup> / <sub>16</sub> " x <sup>1</sup> / <sub>8</sub> "
SIDE GLASS	28 <sup>3</sup> / <sub>16</sub> " x 15 <sup>3</sup> / <sub>8</sub> " x <sup>1</sup> / <sub>8</sub> "

# 6 Oz. RIGHT HAND KETTLE ASSEMBLY



## PARTS LIST - 6 Oz. R.H. KETTLE ASSEMBLY

Item No.	Domestic & Antique Part No.	Description
1-0	41742	Set Screw #10-32 x $\frac{3}{16}$ "
1-1	46649	Set Collar
1-2	47059	Spur Gear
1-3	47106	Needle Bearing
1-4	47107	C Ring
1-5	47120	Knob Lid Lift
1-6	49011	Stir Rod
1-7	49013	Agitator Weight
1-8	49016	Rear Kettle Lid
1-9	49423	Agitator Shaft Assembly
1-10	47053	Nut, Hex #10-24
1-11	47273	#16AWG Mgt. Nickel Wire
1-12	47298	Heat Element Retainer
1-13	47676	Kettle Thermostat
1-14	49075	Thermostat Bracket
1-15	49122	Bolt, $\frac{5}{16}$ -18 x 1" Sq Hd
1-16	49127	Lock Nut, Electric Conn.
1-17	49177	Screw, #8-32 x $\frac{3}{4}$ " Hx Hd
1-18	49316	Kettle Shell
1-19	49317	Nut, Whiz Lock $\frac{5}{16}$ -18
1-20	49328	6 Oz Kettle Lead Assembly
1-21	46241	Connector 90 Degree
1-22	49086	Kettle Lead Wire, Red
1-23	49087	Kettle Lead Wire, White
1-24	49159	Kettle Lead Wire, Green
1-25	49329	Plug, 15A Twist Lock
1-26	49357	Heat Element, 850W
1-27	74135	Hex Nut, 5/16-18
1-28	74137	Washer, 5/16 Int Tooth
1-29	47001	Pop Rivet, Open End
1-30	47110	Knob, Dump Handle
1-31	47702	Nut, Acorn #8-32
1-32	49350	Conduit, Caution Label
1-33	89125	Screw, #8-32 x $\frac{3}{4}$ " Hx Hd

## RIGHT HAND DUMP KETTLE ONLY

2-6	49366	6 Oz. Steel Kettle Complete
2-7	49424	Agitator/Lid Assembly R.H.
2-8	49017	Front Kettle Lid R.H.
2-9	49367	6 Oz. Steel Kettle Bottom
2-10	49314	Dump Handle R.H.
2-11	49356	Kettle Crossbar R.H.

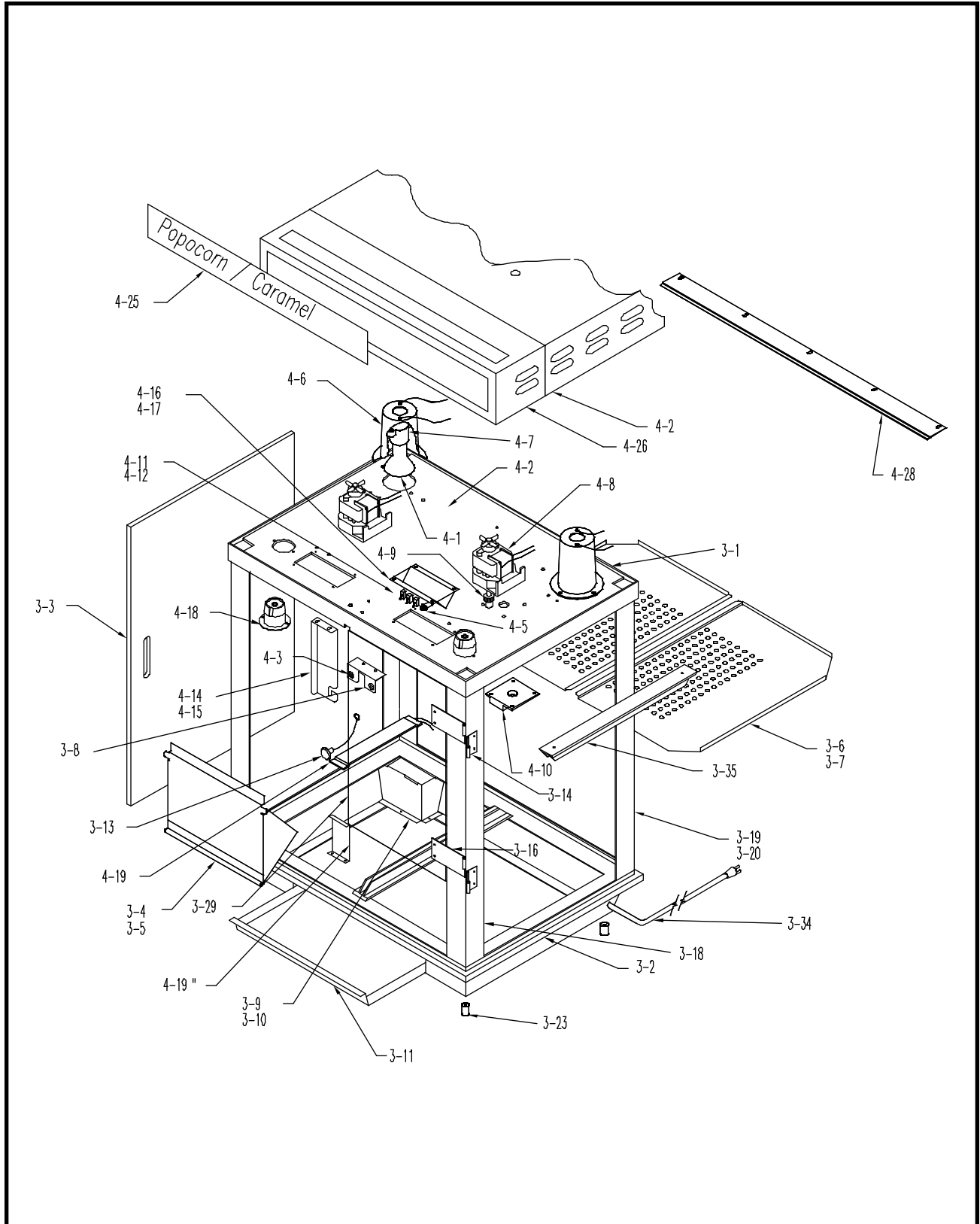
## PARTS LIST - 6 Oz. L.H. KETTLE ASSEMBLY

Item No.	Domestic & Antique Part No.	Description
1-0	41742	Set Screw #10-32 x $\frac{3}{16}$ "
1-1	46649	Set Collar
1-2	47059	Spur Gear
1-3	47106	Needle Bearing
1-4	47107	C Ring
1-5	47120	Knob, Lid Lift
1-6	49011	Stir Rod
1-7	49013	Agitator Weight
1-8	49016	Rear Kettle Lid
1-9	49423	Agitator Shaft Assembly
1-10	47053	Nut, Hex #10-24
1-11	47273	#16AWG Mgt. Nickel Wire
1-12	47298	Heat Element Retainer
1-13	47676	Kettle Thermostat
1-14	49075	Thermostat Bracket
1-15	49122	Bolt, $\frac{5}{16}$ -18 x 1" Sq Hd
1-16	49127	Lock Nut, Electric Conn.
1-17	49177	Screw, #8-32 x $\frac{3}{4}$ " Hx Hd
1-18	49316	Kettle Shell
1-19	49317	Nut, Whiz Lock $\frac{5}{16}$ -18
1-20	49328	6 Oz Kettle Lead Assembly
1-21	46241	Connector, 90 Degree
1-22	49086	Kettle Lead Wire, Red
1-23	49087	Kettle Lead Wire, White
1-24	49159	Kettle Lead Wire, Green
1-25	49329	Plug, 15A Twist Lock
1-26	49357	Heat Element, 850W
1-27	74135	Hex Nut, $\frac{5}{16}$ -18
1-28	74137	Washer, $\frac{5}{16}$ Int Tooth
1-29	47001	Pop Rivet, Open End
1-30	47110	Knob, Dump Handle
1-31	47702	Nut, Acorn #8-32
1-32	49350	Conduit, Caution Label
1-33	89125	Screw, #8-32 x $\frac{3}{4}$ " Hx Hd

### LEFT HAND DUMP KETTLE ONLY (not shown)

2-6	16133	6 Oz. Kettle L.H. Complete
2-7	16134	Agitator/Lid Assembly L.H.
2-8	16132	Front Kettle Lid L.H.
2-9	49314LH	Dump Handle L.H.
2-10	16136	6 Oz. Steel Kettle Bottom
2-11	16130	Kettle Crossbar L.H.

# CABINET ASSEMBLY



## PARTS LIST - CABINET ASSEMBLY

Item No.	Domestic Part No.	Antique Part No.	Description
3-0	16140	16152	Cabinet Assembly 2666
3-1	16101	16149	Top Frame
3-2	16103	16143	Bottom Frame
3-3	16105	16105	Divider Panel
3-4	16160	16160	Drop Panel, R.H.
3-5	16163	16163	Drop Panel, L.H.
3-6	16114	16114	Corn Pan, R.H.
3-7	16116	16116	Corn Pan, L.H.
3-8	16139	16139	Magnetic Catch Bracket
3-9	16144	16144	Element Box, L.H.
3-10	16147	16147	Element Box, R.H.
3-11	16145	16145	Old Maid Pan
3-12	16146	16146	Element Bracket
3-13	41013	41013	Door Knob
3-14	41349	41349	Male Hinge, R.H.
3-15	41350	41350	Male Hinge, L.H.
3-16	41351	41351	Female Hinge, R.H.
3-17	41352	41352	Female Hinge, L.H.
3-18	47178	47309	Corner Post, Front
3-19	47179	47310	Corner Post, Right Rear
3-20	47180	47311	Corner Post, Left Rear
3-21	47236	47236	Bushing Snap
3-22	47237	47237	Door Striker
3-23	47328	47328	Glide
3-24	47339	47339	Front Glass
3-25	47340	47340	Side Glass
3-26	47389	47389	Bottom Cover
3-27	47592	47592	Glass Retainer, Rear
3-28	47593	47593	Glass Retainer, Front
3-29	47600	47600	Door
3-30	47692	47692	Rigid Channel, 15 <sup>3</sup> / <sub>8</sub> "
3-31	47694	47694	Rigid Channel, 22 <sup>7</sup> / <sub>8</sub> "
3-32	47697	47697	Rigid Channel, 27 <sup>13</sup> / <sub>16</sub> "
3-33	76026	76026	Strain Relief
3-34	87148	42366	Lead-in Cord, 20 Amp
3-35	16106	16106	Divider Rail, Top

## PARTS LIST - CABINET ASSEMBLY (continued)

Item No.	Domestic Part No.	Antique Part No.	Description
4-0	16161	16161	Complete Hanger Assembly
4-1	13157	13157	Reflector Flood Light
4-2	16119	16119	Motor Mount Plate
4-3	16141	16141	Magnetic Catch
4-4	16142	16154	Dome Spacer
4-5	41033	41033	Pilot Light, 120V
4-6	40589	40589	Light Shield, Conical
4-7	47047	47047	Lamp Holder
4-8	47057	47057	Motor
4-9	47059	47059	Spur Gear
4-10	47065	47065	Gear Box
4-11	47201	47201	Switch
4-12	47202	47202	Switch, Motor/Light
4-13	47282	47282	Bushing - Snap
4-14	49009	49009	Hanger Arm, Rear
4-15	49010	49010	Hanger Arm, Front
4-16	49099	49099	Switch Box
4-17	49116	49116	Switch Label
4-18	49330	49330	Receptacle, 15A Twist Lock
4-19	49440	49440	Strip, Heat Element 50W
4-20*		16167	Dome
4-21			
4-22		16164	Dome Frame Gold
4-23		16166	Inspection Cover
4-24		47771	Screw, #8 x 3/8" Hx Hd
4-25	16093	16093	Sign
4-26	16097	16097	Front Wrapper Assembly
4-27	16098	16098	Main Wrapper
4-28	16099	16099	Support Angle
4-29*	39016	39016	Fluorescent Light Tube
4-30*	41020	41020	Light Tube Holder
4-31*	41021	41021	Light Tube Holder Starter
4-32*	41022	41022	Light Ballast
4-33*	41023	41023	Light Starter
4-34*	47578	47578	Wire Cloth
4-35*	61007	61007	Molded Wire Harness

\* Items Not Shown



# WARRANTY

WE WARRANT to the original purchaser the Gold Medal equipment sold by us to be free from defects in material or workmanship under normal use and service. Our obligation under this warranty shall be limited to the repair or replacement of any defective part for a period of six (6) months from the date of sale to the Original Purchaser with regard to labor and two (2) years with regard to parts and does not cover damage to the equipment caused by accident, alteration, improper use, voltage, abuse, or failure to follow instructions.

THIS WARRANTY IS IN LIEU OF ALL OTHER WARRANTIES EXPRESSED OR IMPLIED, AND OF ALL OTHER OBLIGATIONS OR LIABILITIES ON OUR PART, INCLUDING THE IMPLIED WARRANTY OF MERCHANTABILITY. THERE ARE NO WARRANTIES WHICH EXTEND BEYOND THE DESCRIPTION ON THE FACE HEREOF. We neither assume, nor authorize any other person to assume for us, any other obligation or liability in connection with the sale of said GOLD MEDAL equipment or any part thereof.

The term "Original Purchaser" as used in this warranty shall be deemed to mean that person, firm, association, or corporation who was billed by the GOLD MEDAL PRODUCTS COMPANY, or their authorized distributor for the equipment.

THIS WARRANTY HAS NO EFFECT AND IS VOID UNLESS THE ORIGINAL PURCHASER FIRST CALLS GOLD MEDAL PRODUCTS COMPANY AT 1-800-428-2676 TO DISCUSS WITH OUR SERVICE REPRESENTATIVE THE EQUIPMENT PROBLEM, AND, IF NECESSARY, FOR INSTRUCTIONS CONCERNING THE REPAIR OR REPLACEMENT OF PARTS.

*NOTE: This equipment is manufactured and sold for commercial use only.*



**GOLD MEDAL PRODUCTS COMPANY**  
**10700 Medallion Drive**  
**Cincinnati, OH 45241-4807 USA**