

# *Dogeroo & Super Dogeroo*

Part No. 87154  
Revised June 1996

Instruction Manual  
Model #8002 and #8003





 **GOLD MEDAL**®


**FUNFOOD EQUIPMENT & SUPPLIES**


Cincinnati, OH 45241-4807 USA


# SAFETY PRECAUTIONS

	<b>⚠ CAUTION</b>
	This equipment is designed and sold for commercial use only. This equipment is not to be used by the consumer in home use. Do not allow direct contact of this equipment by the public when used in food service locations. Only personnel trained and experienced in the equipment operation may operate this equipment. Carefully read all installation instructions before operating the equipment.

	<b>⚠ WARNING</b>
	Always wear safety glasses when servicing this equipment.

	<b>⚠ WARNING</b>
	NEVER put your fingers or any object into the heating area. We do NOT assume any liability for injury due to careless handling or operation of this equipment.

	<b>⚠ WARNING</b>
	Any alterations to this equipment will void the warranty and may cause a dangerous situation. NEVER make alterations to the equipment.

	<b>⚠ DANGER</b>
	Machine must be properly grounded to prevent electrical shock to personnel. Do NOT immerse the equipment in water. Always unplug the equipment before cleaning or servicing.

## NOTE

The information, specifications and illustrations contained in this manual represent the latest data available at time of publication. Right is reserved to make changes as required at the discretion of Gold Medal Products Company without notice.

## OPERATING INSTRUCTIONS


### SPECIFICATIONS

	Dogeroo	Super Dogeroo
Hot Dogs	56	84
Buns	40	60
Width	20 ½"	26 ½"
Height	24"	24"
Depth	15 ½"	15 ½"
Shipping Weight	52 lbs.	67 lbs.
Power Requirements	1680 Watts	1880 Watts

### INSTALLATION

1. Carefully remove the machine from the shipping cartons. Remove all packing material and tape. Check thoroughly for any damage which may have occurred in transit. Claims should be filed immediately with the transportation company.
2. The glass has been packaged for shipment and placed in the bun warmer basket. Remove the package and carefully unwrap the glass.
3. Lift off the top frame assembly.
4. Insert glass into channel slots in corner posts and slide the glass down to the bottom of the unit. **CAUTION:** Do not drop the glass. If the optional sneeze guard has been purchased, place it over the corner posts.
5. Set the top frame assembly on the corner post. Make sure it is seated at each corner.
6. Place water pan in the top frame.
7. Place bun warmer on the top frame and slide the bun warmer basket into the warmer.
8. Place rotisserie in position. See page 3 for driveshaft assembly.
9. Be sure to place your Dogeroo where the revolving hot dogs will attract the most attention.

### ELECTRICAL REQUIREMENTS

	<b>⚠ DANGER</b>
	Machine must be properly grounded to prevent shock in case of electrical problems.

These machines are designed to operate at the voltage requirements and current indicated for each machine. The power supply cord is equipped with a "machine ground" – the tubular prong on the male plug. For safety, always plug your hot dog cooker into a grounded type receptacle. The Dogeroo machine draws 12 amps. The Super Dogeroo machine draws 14.9 amps. Make certain that the electrical outlet is capable of carrying this much current.

## CONTROLS AND THEIR FUNCTIONS

### ON/OFF SWITCH

Flipping the lever of this switch to the "ON" position will energize the drive motor which rotates the rotisserie. It also lights the 40 Watt bulb behind the front glass and completes the circuit to the heat control.

### HEAT CONTROL

The infinite heat control allows you to vary the operating temperature of the heating element. When this control is in any position other than "OFF", the red pilot light will be on. When the control is set at the "HI" position, the heating element is energized continually.

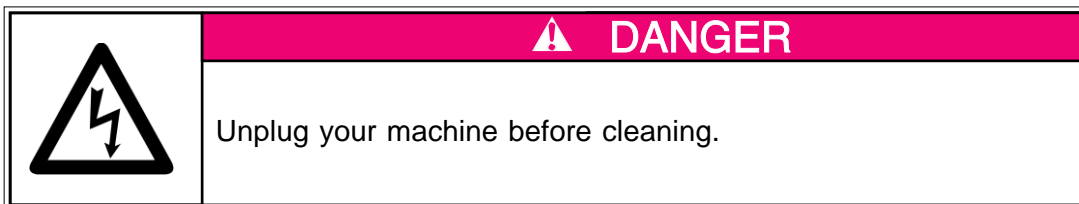
## OPERATING PROCEDURE

1. Pour 1 ½ quarts of water into the water pan (about 5/8" deep). Do NOT overfill! Overfilling will result in too much steam. This will keep the buns moist and warm. Use hot water to speed the process.
2. Place buns in the bun warmer basket. (Some buns collect more moisture than others due to their texture).
3. Place the hot dogs on the rotisserie.
4. When ready to start cooking, move the toggle switch to the "ON" position. This will rotate the rotisserie clockwise and light the bulb behind the silk screened sign.
5. The time required to broil the hot dogs will vary, depending upon size and temperature (35-37° F refrigerated) of the hot dogs when placed in the Dogeroo.

With the heat control set on "HI" and using average size hot dogs, it will take from 10-15 minutes to have the hot dogs ready for 140° F minimum serving temperature. Watch the dogs carefully the first several times you cook to avoid blistering or burning the hot dogs.

After the hot dogs are cooked, reduce the heat control setting to one which will keep the hot dogs at the 140° F minimum serving temperature. Hot dogs can be kept on the rotisserie for several hours without shriveling or loss of flavor, if the heat control is properly set.

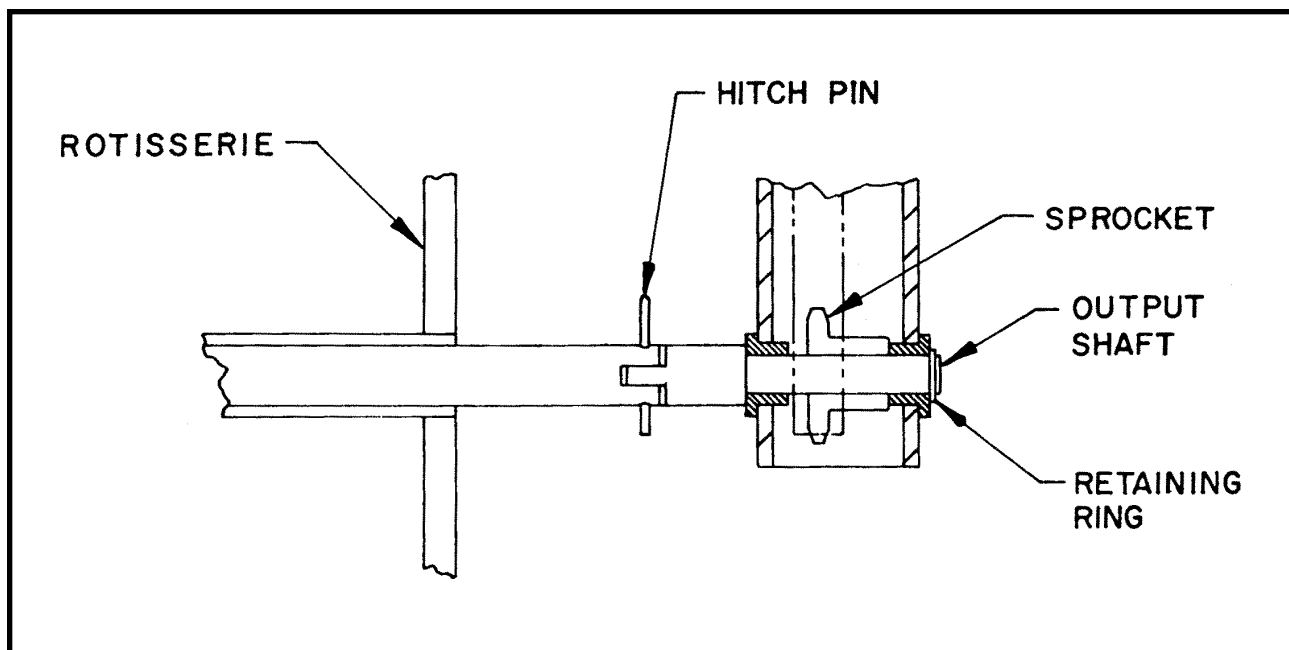
## CARE AND CLEANING




Good sanitation practice demands that all food cooking equipment be cleaned regularly. A clean looking, well kept machine is one of the best ways of advertising your product.


The Dogeroo and Super Dogeroo have been designed to disassemble quickly without the use of special tools for easy cleaning.


1. Disconnect power supply cord. Be sure unit has cooled sufficiently to permit safe handling.
2. Remove the condensate pan and basket from the bun warmer.
3. Remove the door from the bun warmer by sliding the pivot pin to the left or the right to disengage.
4. Lift the bun warmer from the top of the top frame assembly. Lift out the water pan from the top frame assembly.
5. Remove the hitch pin and disengage the rotisserie shaft from the drive shaft. Lift the left end of the rotisserie from the end support.
6. Lift the top frame assembly from the corner posts. This assembly must be cleaned by wiping with a damp cloth.
7. Lift out the drip pan. Slide the front and side glass upward in the slots designed in the corner posts for glass removal.
8. All parts (except top frame assembly) may be immersed or flooded with water for cleaning. Use a cleanser/sanitizer recommended or approved by your local Board of Health. Wipe all parts dry.
9. Reassemble in reverse order.



## MAINTENANCE INSTRUCTIONS

	<b>⚠ CAUTION</b>
	<p>THE FOLLOWING SECTIONS OF THIS MANUAL ARE INTENDED ONLY FOR QUALIFIED SERVICE PERSONNEL WHO ARE FAMILIAR WITH ELECTRICAL EQUIPMENT. THESE ARE NOT INTENDED FOR THE OPERATOR.</p>

	<b>⚠ WARNING</b>
	<p>Adequate eye protection must be used when servicing this equipment to prevent the possibility of injury.</p>

	<b>⚠ DANGER</b>
	<p>Do NOT immerse the equipment in water. Unplug your machine before servicing.</p>

## ORDERING SPARE PARTS

1. Identify the desired part by checking it against the photos, illustrations, and/or the parts list.
2. When ordering, please include part number, part name, and quantity desired.
3. Please include your model name and machine serial number (located on the machine nameplate) with your order.
4. Address all parts orders to:

Parts Department  
 Gold Medal Products Co.  
 10700 Medallion Drive  
 Cincinnati, Ohio 45241-4807

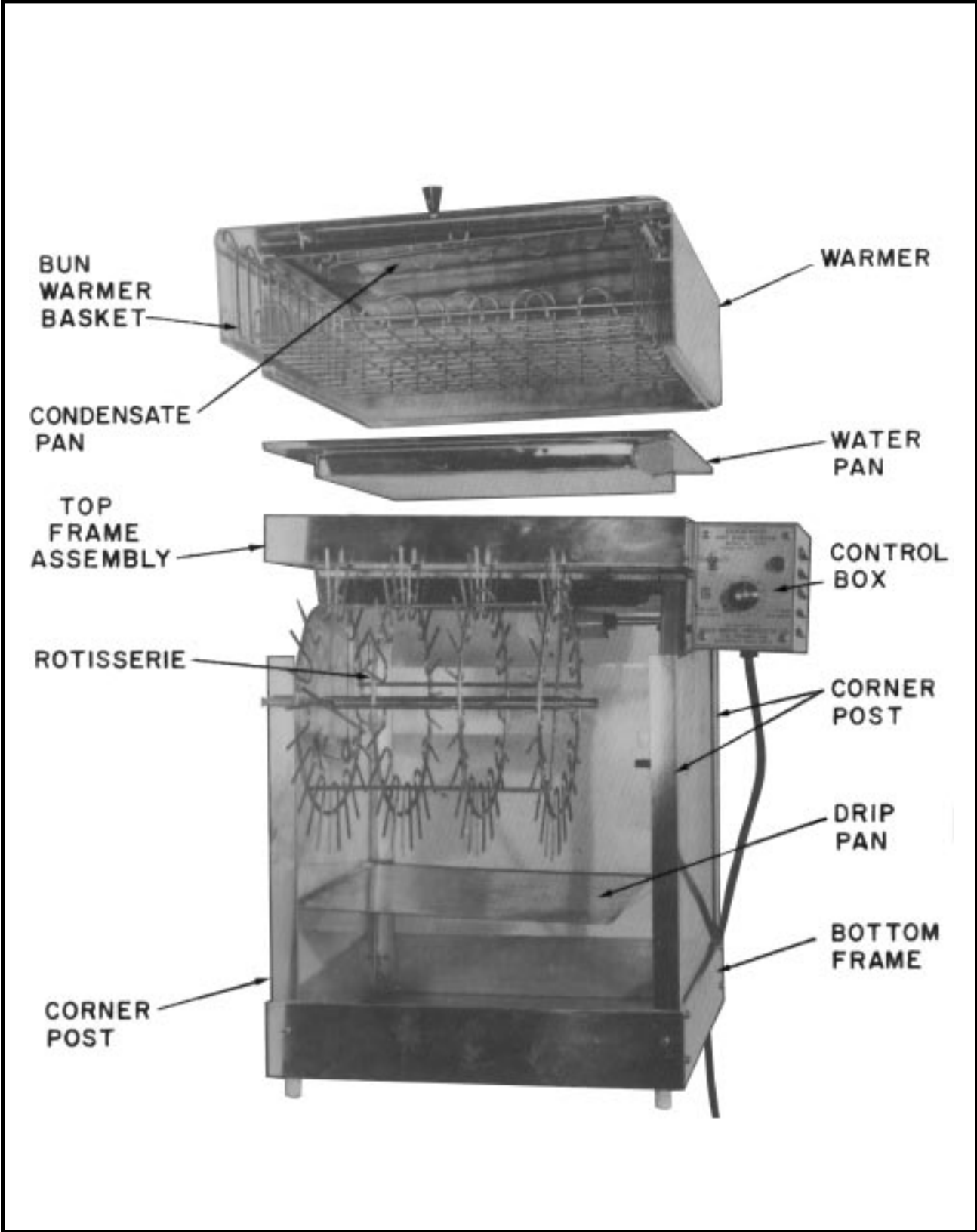
or, place orders at:

(513) 769-7676  
 Fax: (513) 769-8500  
 E-mail: goldme19@eos.net

NOTE: We do NOT ship glass. Obtain replacement glass from your local hardware store.

SIDE GLASS:  $\frac{1}{8}$ " x 13  $\frac{5}{16}$ " x 17  $\frac{1}{2}$ "  
 FRONT GLASS:  $\frac{1}{8}$ " x 14  $\frac{5}{16}$ " x 17  $\frac{1}{2}$ "  
 $\frac{1}{8}$ " x 20  $\frac{5}{16}$ " x 17  $\frac{1}{2}$ " (Super Dogeroo)

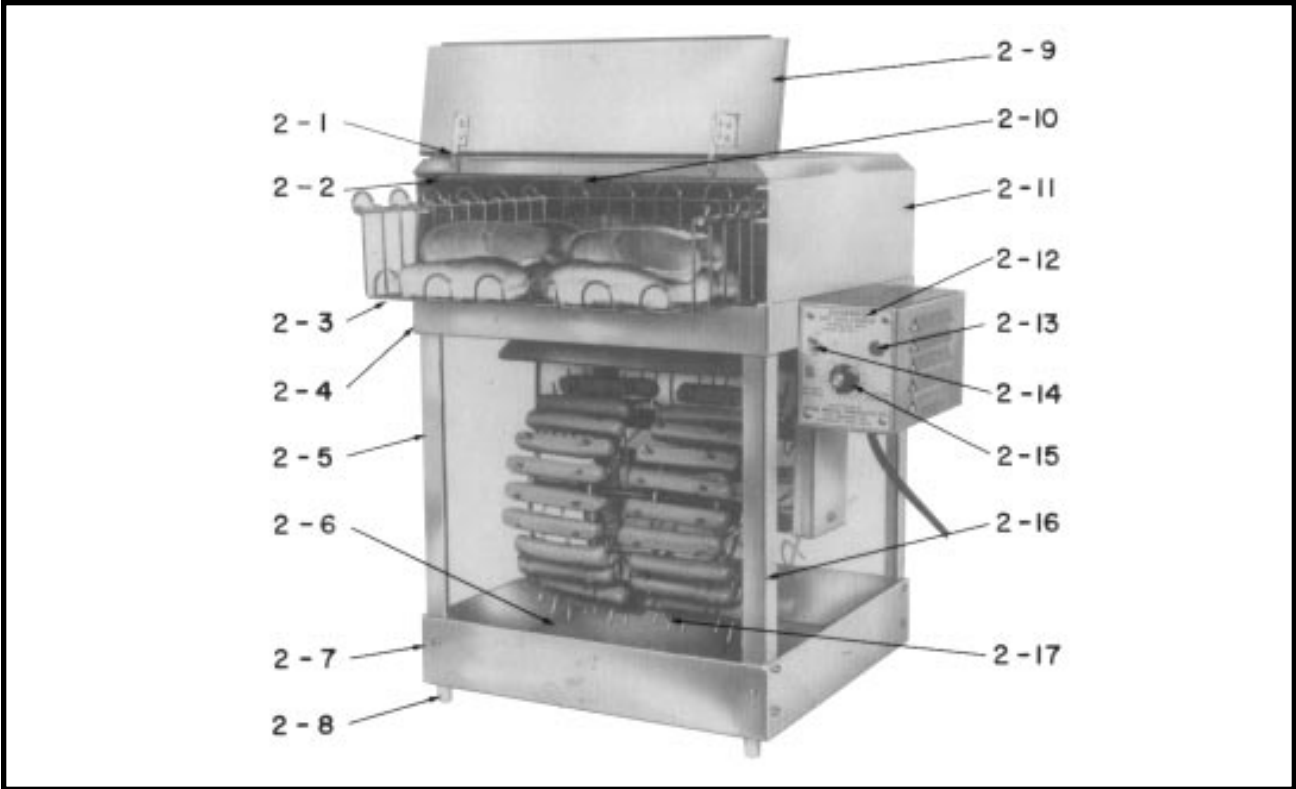
# DOGEROO & SUPER DOGEROO MAIN COMPONENTS



# PARTS LIST – REAR VIEW

Model #8002

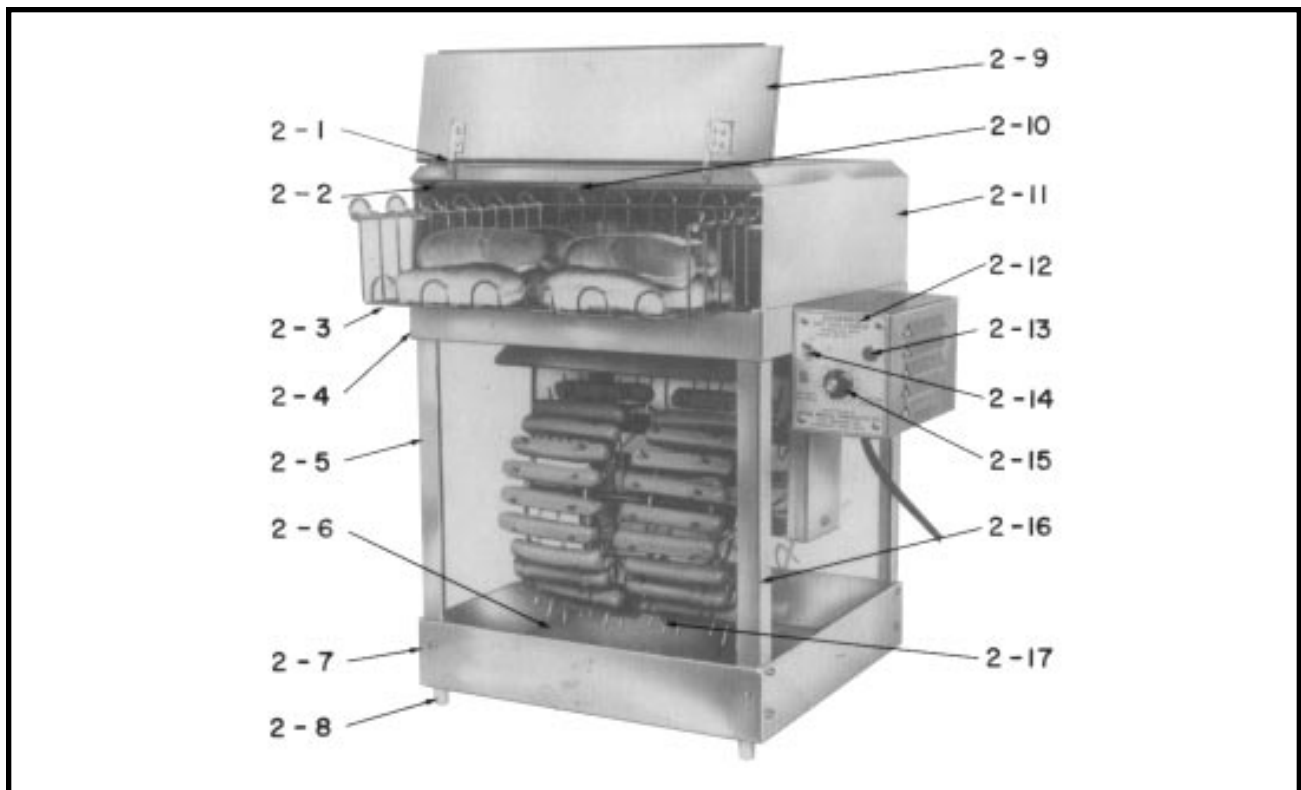
Item No.	Part No.	Description
2-2	87034	Condensate Pan
2-3	87028	Bun Warmer Basket
2-4	87005	Top Extrusion Frame
2-5	87140	Left Rear Corner Post
	87141	Left Front Corner Post
2-6	87082	Drip Pan
2-7	87001	Bottom Extrusion Frame
2-8	87179	Glide Delrin Foot
2-9	87037	Door Assembly Bun Warmer
2-10	87069	Pivot Pin Door Assembly
2-11	87010	Bun Warmer
2-12	87041	Name & Switch Plate
2-13	41033	Pilot Light, 125 Volt
2-14	47201	Switch On/Off
2-15	87048	Heat Control Dogeroo, 120 Volt
	87049	Knob Heat Control
2-16	87139	Right Front Corner Post
	87142	Right Rear Corner Post
2-17	87091	Rotisserie Assembly, Cradle
	87150	Cradle
	87152	Rotisserie



## PARTS LIST – REAR VIEW

Model #8003

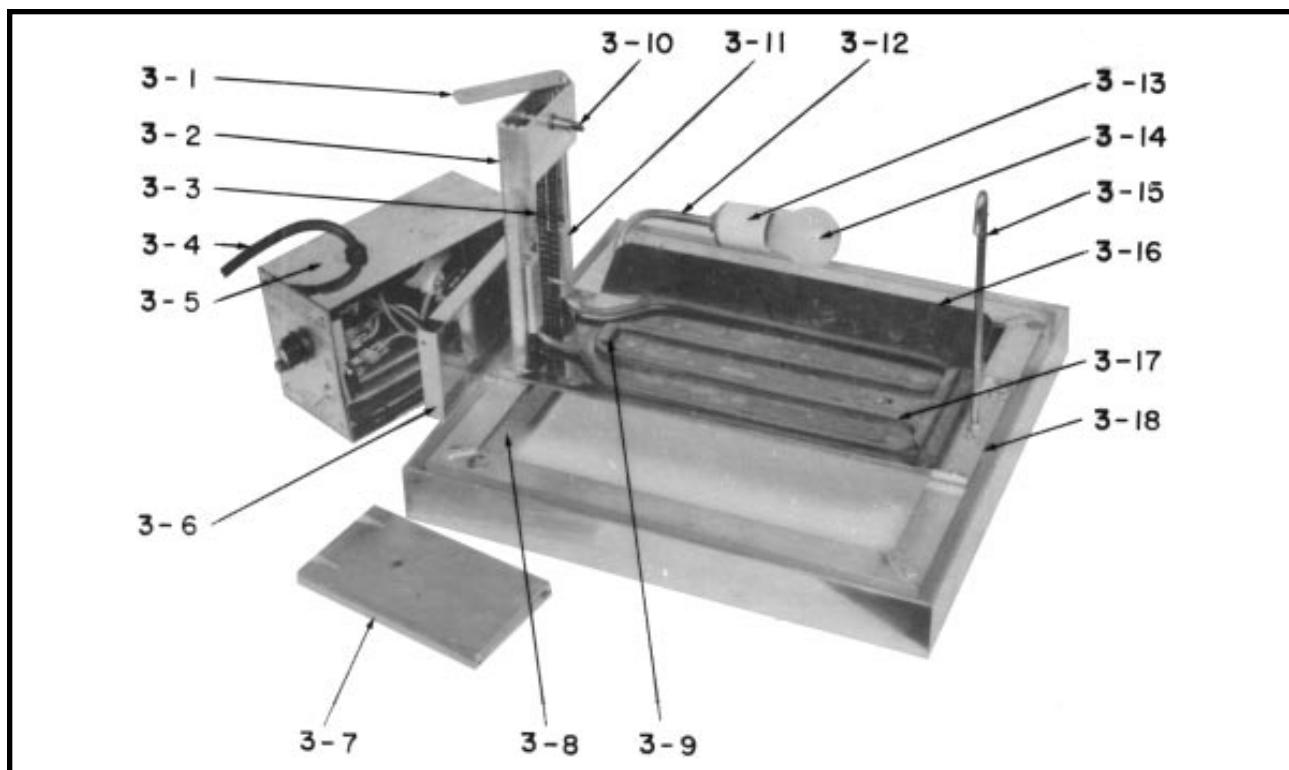
Item No.	Part No.	Description
2-2	87109	Condensate Pan
2-3	87107	Bun Warmer Basket
2-4	87101	Top Extrusion Frame
2-5	87140	Left Rear Corner Post
	87141	Left Front Corner Post
2-6	87116	Drip Pan
2-7	87098	Bottom Extrusion Frame
2-8	87179	Glide Delrin Foot
2-9	87121	Door Assembly Bun Warmer
2-10	87065	Pivot Pin Door Assembly
2-11	87104	Bun Warmer
2-12	87124	Name & Switch Plate
2-13	41033	Pilot Light, 125 Volt
2-14	47201	Switch On/Off
2-15	87048	Heat Control Dogeroo, 120 Volt
	87049	Knob Heat Control
2-16	87139	Right Front Corner Post
	87142	Right Rear Corner Post
2-17	87127	Rotisserie Assembly, Cradle
	87151	Cradle
	87153	Rotisserie



## PARTS LIST – HEAT ELEMENT & DRIVE

Model #8002

Item No.	Part No.	Description
3-1	87038	End Cover Chain Support
3-2	87014	Chain Support Assembly
3-3	87043	Drive Chain
	87044	Connect Link, Drive Chain
3-4	87085	Lead-In Cord, 15 Amp. Plug
3-5	87017	Control Box Assembly
3-6	87036	Motor Mount Plate Assembly
3-7	87070	Cover Chain Support
3-8	87033	Filler Trim Top Frame
3-9	87080	Bracket, Element Tie Down
3-10	87021	Output Shaft
3-11	87040	Insulator Block Element
	87039	Insulator Tube
	87158	Insulator Block
3-12	87066	Support Tube, Lamp Socket
3-13	11034	Lamp Socket
3-14	87065	Appl. Light Bulb, 120 Volt, 40 Watt
	49034	Light Bulb, 40 Watt, 250 Volt
3-15	87020	End Support, Rotisserie
3-16	87077	Heat Reflector Assembly
3-17	87027	Heat Element, 120 Volt, 1440 Watt
3-18	87042	Element Support Bracket



## PARTS LIST – HEAT ELEMENT & DRIVE

Model #8003

Item No.	Part No.	Description
3-1	87038	End Cover Chain Support
3-2	87014	Chain Support Assembly
3-3	87043	Drive Chain
	87044	Connect Link Drive Chain
3-4	87148	Lead-In Cord, 20 Amp. Plug
3-5	87017	Control Box Assembly
3-6	87036	Motor Mount Plate Assembly
3-7	87070	Cover Chain Support
3-8	87108	Filler Trim Top Frame
3-9	87080	Bracket Element Tie Down
3-10	87021	Output Shaft
3-11	87040	Insulator Block Element
	87039	Insulator Tube
	87158	Insulator Block
3-12	87066	Support Tube Lamp Socket
3-13	11034	Lamp Socket
3-14	87065	Appl. Light Bulb, 120 Volt, 40 Watt
	49034	Light Bulb, 40 Watt, 250 Volt
3-15	87020	End Support Rotisserie
3-16	87126	Heat Reflector Assembly
3-17	87122	Heat Element, 120 Volt, 1650 Watt
3-18	87111	Element Support Bracket
	87159	Main Drive Section, 120 Volt
	87161	Cabinet Assembly Super Dog
	87161	Bun Warmer Assembly Super Dog
	87110	Water Pan
	87118	Top Panel Assembly
	87112	Shipping Carton, Bun Warmer
	87147	Shipping Carton, Main Section

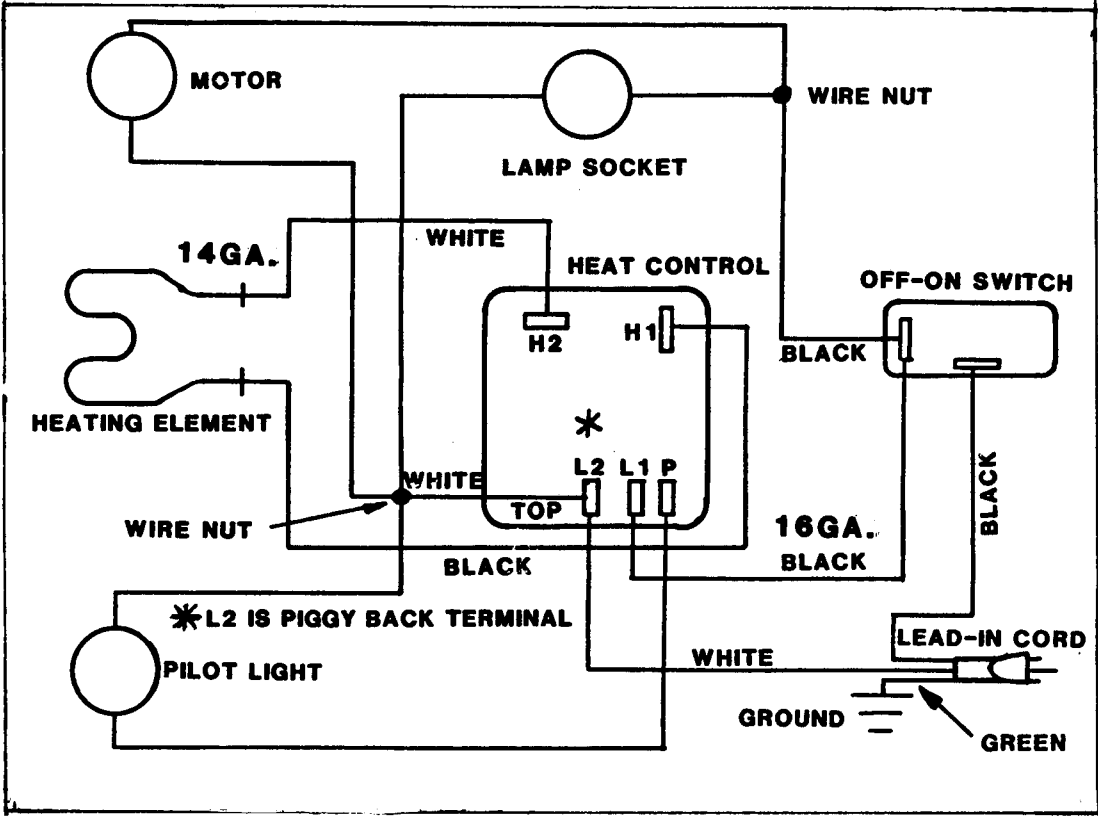
## ITEMS NOT SHOWN

Models #8002 & #8003

Part No.	Description
47010	Label, Safe Operating Instructions
47177	Warning, Max Lamp 40 Watt
87154	Parts Manual Dogeroos
87155	Main Drive Section, 120 Volt
40110	Wire Nut, Black
46541	#18 AWG. Mgt. Wire White
46543	#18 AWG. Mgt. Wire Black
46616	18 Ga. TEW Wire, White
46618	18 Ga. TEW Wire, Black
47177	Warning, Max Lamp 40 Watt
47702	Acorn Nut, 1/4-20
48040	Set Screw, 8-32 x 3/8"
49119	#16 AWG. Mgt. Wire Red
74117	Flat Washer, #8
74133	Hex Nut, 1/4-20
75328	Bushing, 5/16" ID. Plastic
76026	Strain Relief, #SR-6P3-4
78056	Retaining Ring
87022	Bearing Output Shaft
87023	Sprocket
87050	Drive Motor w/ Fan, 120 Volt
87067	Lock Nut, 1/8" Str. Pipe
87081	Spacer Block, Reflec. Pnl.
87087	Label, Warning Contact
87088	Element Reflector
871129	Mtr. Shaft Bear Sup Bar
87130	Hitch Pin
87149	Label, Caution Disconnect
87207	Set Screw, #10-32 x 3/16"
89125	Screw, #8-32 x 3/4" RD. HD. PH.
87156	Cabinet Assembly, Dogeroo
47120	Knob, Lid Lift
87157	Bun Warmer Assembly, Dogeroo
47120	Knob, Lid Lift
87035	Water Pan
87071	T-Panel Assembly Bun Warmer
87093	Carton Bun Warmer
87092	Scissor Type Tongs Np.
87146	Shipping Carton Main Section

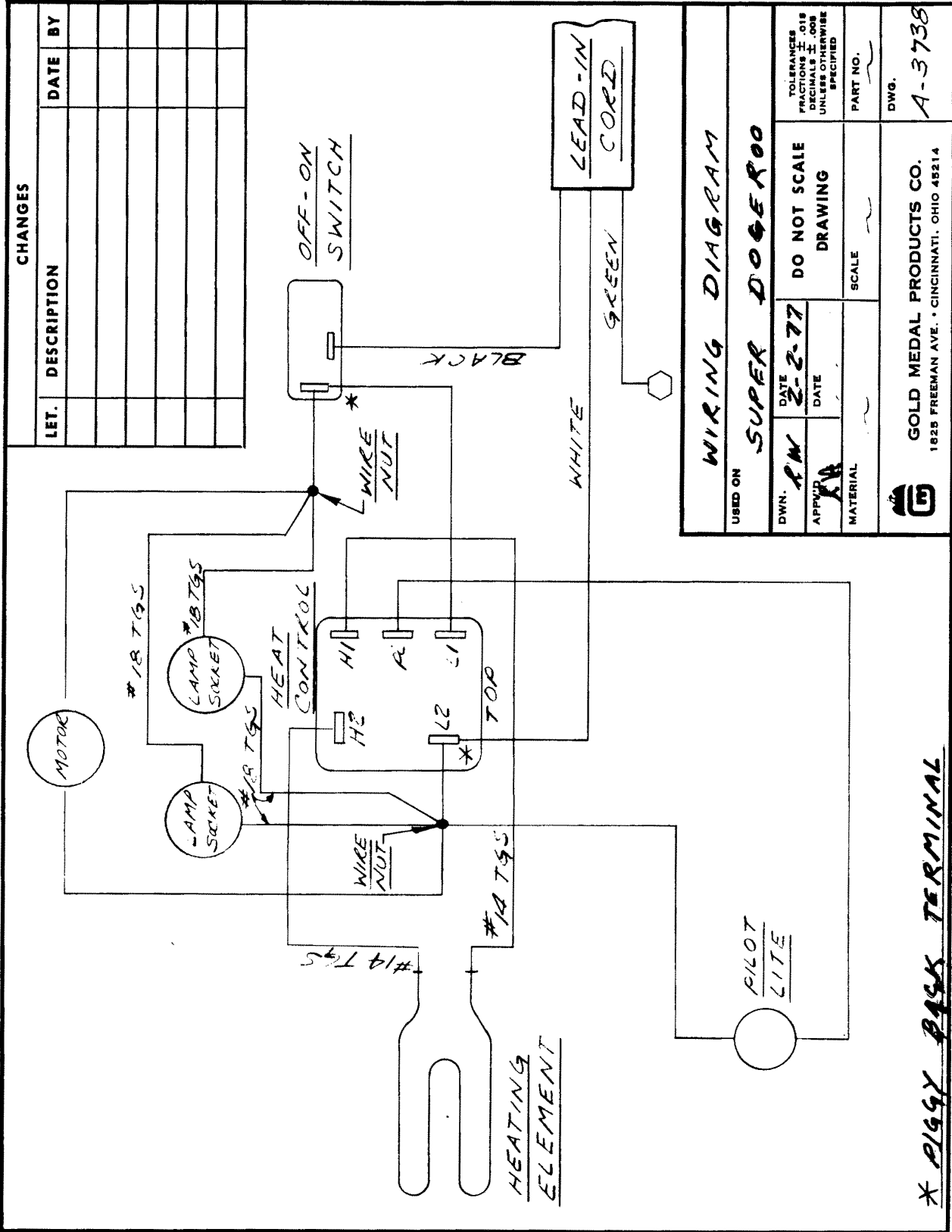
# DOGEROO ELECTRICAL SCHEMATIC

**ALL WIRING IS #18GA.  
EXCEPT AS MARKED**



**ALL WIRING MUST BE  
RATED 450 C / 600 V  
EXCEPT #18GA. COPPER WIRE JUMPERS**

# SUPER DOGEROO ELECTRICAL SCHEMATIC



**CHANGES**

LET.	DESCRIPTION	DATE	BY

USED ON		DO NOT SCALE		TOLERANCES
WIRING DIAGRAM		DRAWING		FRACTIONS ± .018
SUPER DOGEROO		SCALE		DECIMALS ± .008
DWN. <i>R.M.</i>	DATE <i>2-2-77</i>	MATERIAL		UNLESS OTHERWISE SPECIFIED
APPRD. <i>R.M.</i>	DATE	PART NO.		DWG. <i>A-3738</i>
GOLD MEDAL PRODUCTS CO. 1825 FREEMAN AVE. • CINCINNATI, OHIO 45214				

\* PIGGY BACK TERMINAL

# WARRANTY

WE WARRANT to the original purchaser the Gold Medal equipment sold by us to be free from defects in material or workmanship under normal use and service. Our obligation under this warranty shall be limited to the repair or replacement of any defective part for a period of six (6) months from the date of sale to the Original Purchaser with regard to labor and two (2) years with regard to parts and does not cover damage to the equipment caused by accident, alteration, improper use, voltage, abuse, or failure to follow instructions.

THIS WARRANTY IS IN LIEU OF ALL OTHER WARRANTIES EXPRESSED OR IMPLIED, AND OF ALL OTHER OBLIGATIONS OR LIABILITIES ON OUR PART, INCLUDING THE IMPLIED WARRANTY OF MERCHANTABILITY. THERE ARE NO WARRANTIES WHICH EXTEND BEYOND THE DESCRIPTION ON THE FACE HEREOF. We neither assume, nor authorize any other person to assume for us, any other obligation or liability in connection with the sale of said GOLD MEDAL equipment or any part thereof.

The term "Original Purchaser" as used in this warranty shall be deemed to mean that person, firm, association, or corporation who was billed by the GOLD MEDAL PRODUCTS COMPANY, or their authorized distributor for the equipment.

THIS WARRANTY HAS NO EFFECT AND IS VOID UNLESS THE ORIGINAL PURCHASER FIRST CALLS GOLD MEDAL PRODUCTS COMPANY AT 1-800-428-2676 TO DISCUSS WITH OUR SERVICE REPRESENTATIVE THE EQUIPMENT PROBLEM, AND, IF NECESSARY, FOR INSTRUCTIONS CONCERNING THE REPAIR OR REPLACEMENT OF PARTS.

*NOTE: This equipment is manufactured and sold for commercial use only.*



**GOLD MEDAL PRODUCTS COMPANY**  
**10700 Medallion Drive**  
**Cincinnati, Ohio 45241-4807 USA**